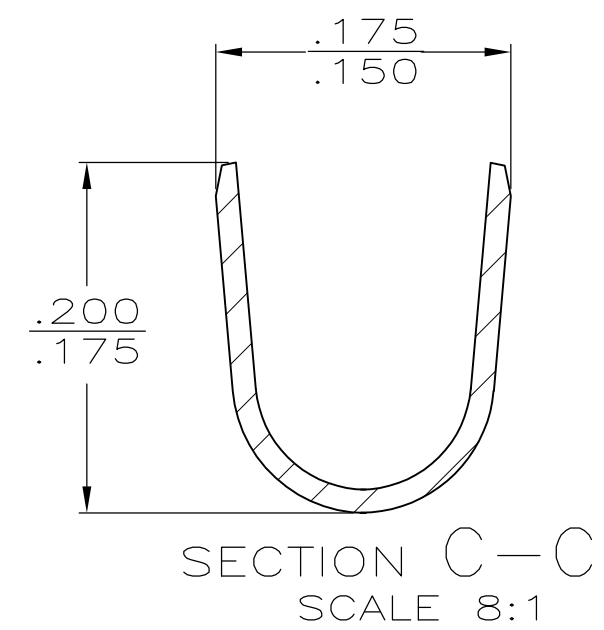
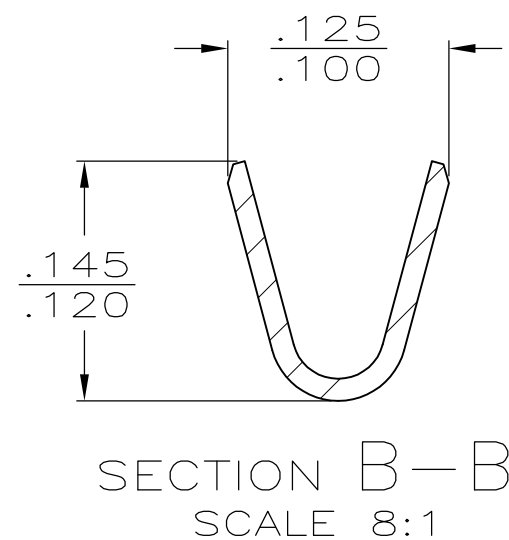
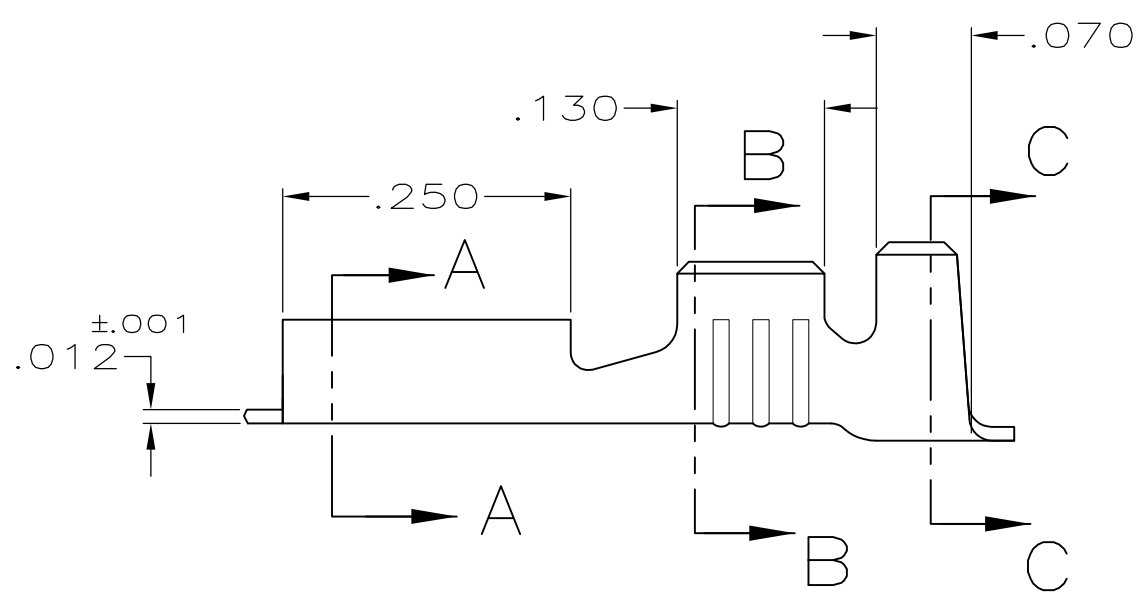
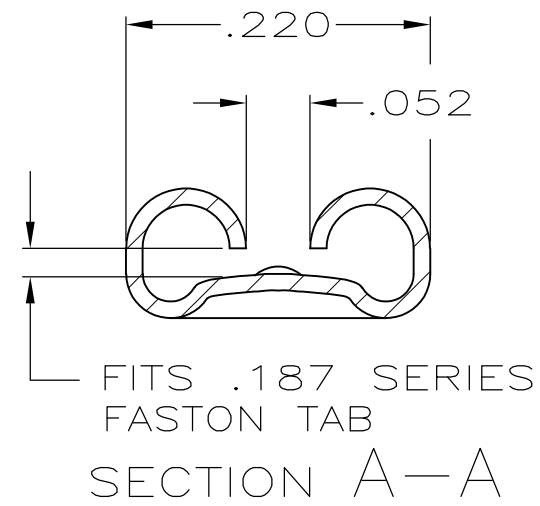
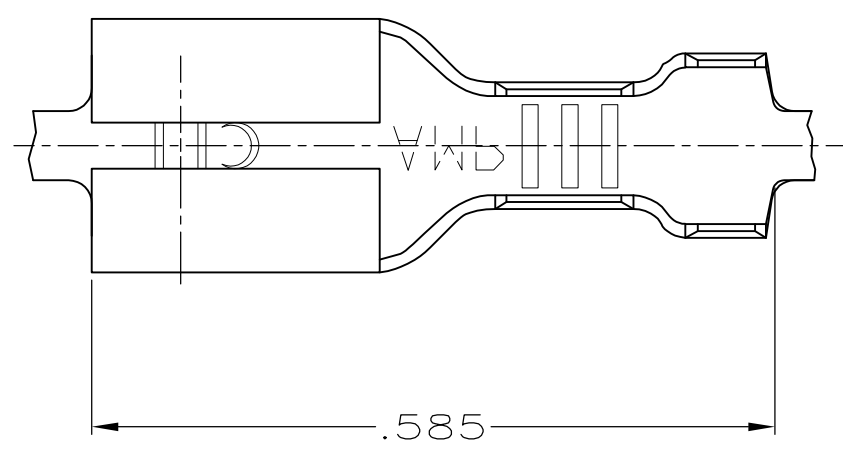


THIS DRAWING IS UNPUBLISHED. RELEASED FOR PUBLICATION
 © COPYRIGHT - By - ALL RIGHTS RESERVED.

LOC	DIST	REVISIONS					
AF	50	P	LTR	DESCRIPTION	DATE	DWN	APVD
			D	REVISED PER ECR-12-013459	28NOV2012	KH	PD

1 CONTINUOUS STRIP ON REELS



.090-.130	20-16	.032	61919-1
INSULATION RANGE	WIRE SIZE	MATING TAB THK O \varnothing 1	PART NO

F	.140	.188	F	.090	.060	16
					.053	18
					.049	20
TYPE	WIDTH	STRIP LENGTH ±.015	TYPE	WIDTH	±.002 HEIGHT	WIRE
INSUL BARREL CRIMP			WIRE BARREL CRIMP			

THIS DRAWING IS A CONTROLLED DOCUMENT.

DIMENSIONS: INCHES

TOLERANCES UNLESS OTHERWISE SPECIFIED:

0 PLC	± -
1 PLC	± -
2 PLC	± -
3 PLC	± .015
4 PLC	± -
ANGLES	± -

MATERIAL: BRASS

FINISH: -

DWN: JR RUTH 1/29/90
 CHK: MS FEHER 1/29/90
 APVD: C MEYERS 1/29/90

PRODUCT SPEC: -
 APPLICATION SPEC: -
 WEIGHT: -

STE TE Connectivity

RECEPTACLE, FASTON, .187 SERIES

SIZE	CAGE CODE	DRAWING NO	RESTRICTED TO
A3	00779	C-61919	-

CUSTOMER DRAWING

SCALE: 6:1 SHEET: 1 OF 1 REV: D

Mouser Electronics

Authorized Distributor

Click to View Pricing, Inventory, Delivery & Lifecycle Information:

[TE Connectivity:](#)

[61919-1](#)