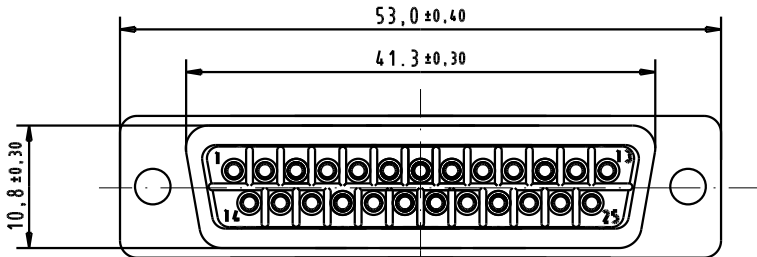
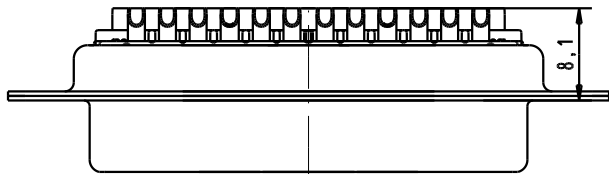
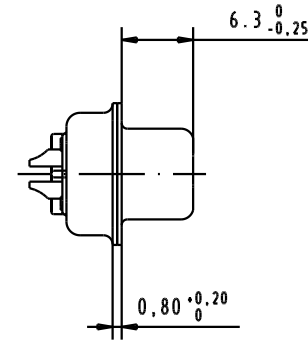
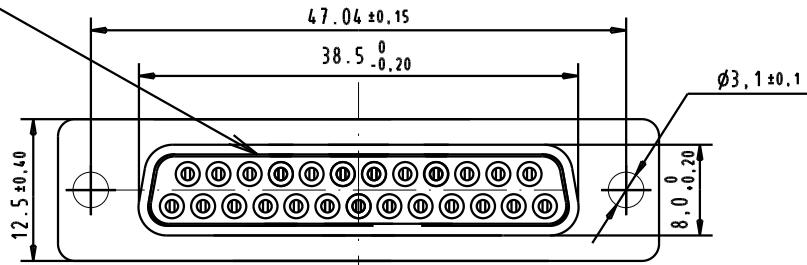


5 4 3 2 1

Mating face according to : MIL-C-24308 / DIN 41652 / CECC 75.01-802



- 1) Protection standard IP 67 according to IEC 529 / DIN 40050.
- 2) Cable: AWG 20 max

A

09 67 425 4715	Au plating 0,76 µm mini
Part Number	Performance Level

					Dat.	Name	<p>All Dim. in mm Orig. Size DIN A 4</p>
				Detail.	15/02/04	S.H.	
				Insp.			
				Stand.			
31587	15/02/04	S.H.	HARTING ELEKTRONIK				TB 09 67 425 4715 Sub.
Mod.	Dat.	Name	F-95972 Paris				

Maßstab/  
Scale

Blatt/ Page

# Mouser Electronics

Authorized Distributor

Click to View Pricing, Inventory, Delivery & Lifecycle Information:

[HARTING:](#)

[09674254715](#)