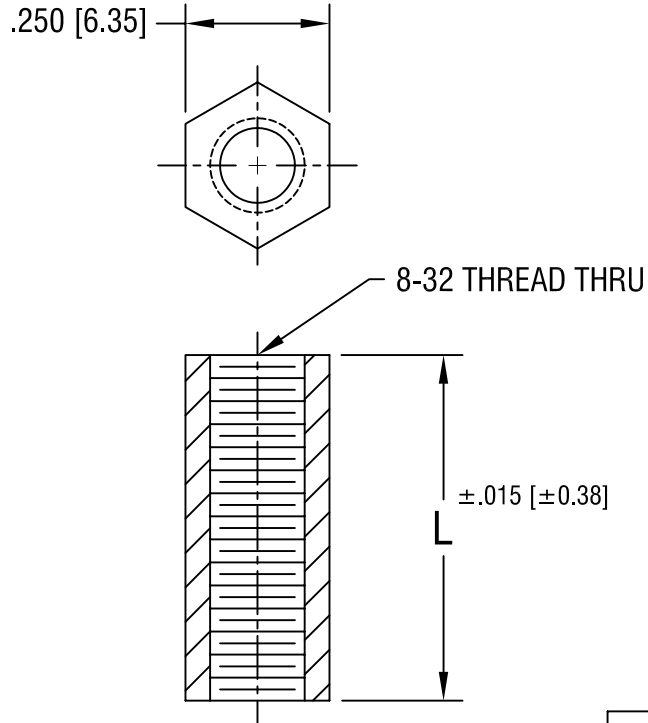


THIS DOCUMENT IS THE PROPERTY OF KEYSTONE ELECTRONICS CORP. AND SHALL NOT BE REPRODUCED, DISTRIBUTED OR USED AS A BASIS FOR MANUFACTURE WITHOUT PRIOR WRITTEN PERMISSION FROM KEYSTONE ELECTRONICS CORP.



| PART NO. | 'L' DIM.     |
|----------|--------------|
| 8442A    | .250 [6.35]  |
| 8442B    | .375 [9.52]  |
| 8442C    | .500 [12.70] |
| 8442D    | .625 [15.87] |
| 8442E    | .750 [19.05] |
| 8442F    | .875 [22.22] |
| 8442G    | 1.000 [25.4] |

|  |                 |                 |                 |
|--|-----------------|-----------------|-----------------|
| <b>KEYSTONE ELECTRONICS CORP.</b>          |                 |                 |                 |
| ASTORIA, N.Y. 11105-2017                   |                 |                 |                 |
| PART NAME<br>HEX STANDOFF, FLAME RETARDANT |                 |                 |                 |
| MATERIAL<br>NYLON 6/6 UL 94V-0             |                 |                 |                 |
| FINISH<br>-                                |                 | DRN BY<br>BOONE | DATE<br>1.25.96 |
|  |                 | APPD<br>LN      | SCALE<br>3X     |
| TOLERANCES                                 | INCH [MM]       | CODE            | DWG NO.         |
| DECIMAL                                    | ± .005 [± 0.15] | C/M             | <b>8442-</b>    |
| ANGULAR                                    | ± 1°            |                 |                 |
| UNLESS OTHERWISE SPECIFIED                 |                 |                 |                 |

| DATE | DESCRIPTION | REV. |
|------|-------------|------|
|      |             |      |

# Mouser Electronics

Authorized Distributor

Click to View Pricing, Inventory, Delivery & Lifecycle Information:

[Keystone Electronics:](#)

[8442E](#)