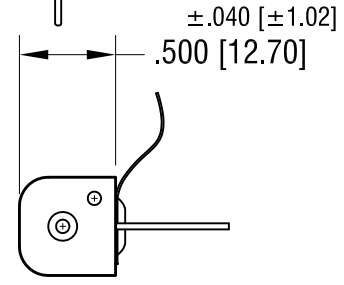
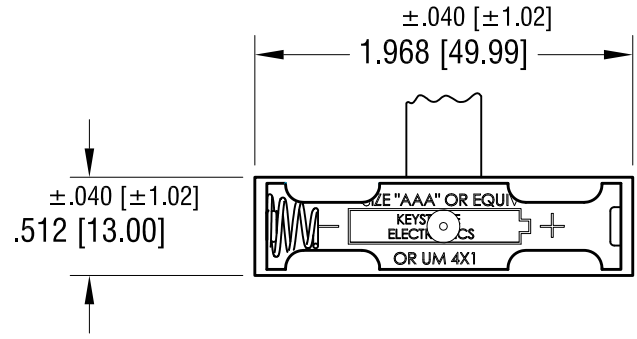
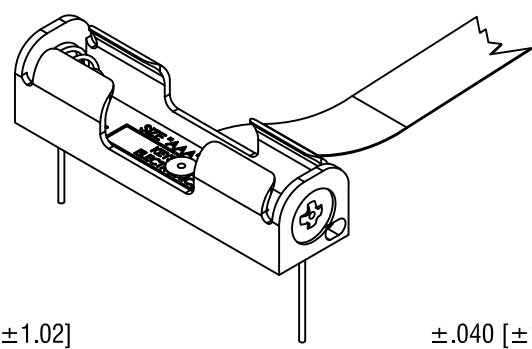
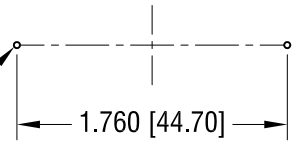


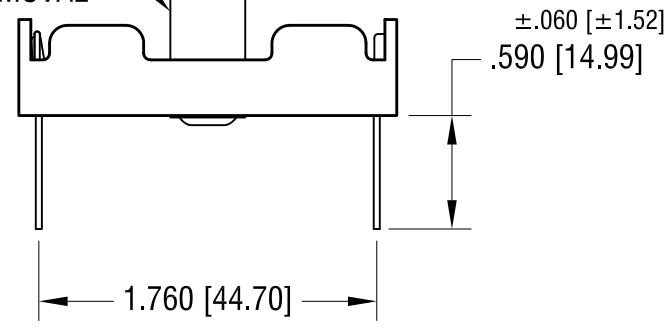
THIS DOCUMENT IS THE PROPERTY OF KEYSTONE ELECTRONICS CORP. AND SHALL NOT BE REPRODUCED, DISTRIBUTED OR USED AS A BASIS FOR MANUFACTURE WITHOUT PRIOR WRITTEN PERMISSION FROM KEYSTONE ELECTRONICS CORP.

MOUNTING DETAIL

.040 [1.02] DIA.
HOLE (2) PLS



RIBBON FOR BATTERY
REMOVAL



NOTE:

- 1. HOLDER: MAT'L: POLYPROPYLENE
- SPRING: MAT'L: MUSIC WIRE, .024 [0.60] DIA.
- PC TERMINALS: MAT'L: BRASS, .032 [0.81] DIA.
- RIBBON: MAT'L: NYLON, RED

KEYSTONE ELECTRONICS CORP.			
www.keyelco.com • NEW HYDE PARK, NY 11040 • Tel (516) 328-7500			
PART NAME			
PC BATTERY HOLDER (1) 'AAA' W/RIBBON			
MATERIAL			
AS NOTED			
FINISH		DRN BY	DATE
NICKEL PLATE		BOONE	12.01.03
		APP'D	SCALE
		LN	1X
TOLERANCES		INCH	[MM]
DECIMAL		± .015	[± 0.38]
ANGULAR		± 1°	
UNLESS OTHERWISE SPECIFIED		CODE	DWG NO.
		C	2466RB

DATE	DESCRIPTION	REV.
------	-------------	------

Mouser Electronics

Authorized Distributor

Click to View Pricing, Inventory, Delivery & Lifecycle Information:

[Keystone Electronics:](#)

[2466RB](#)