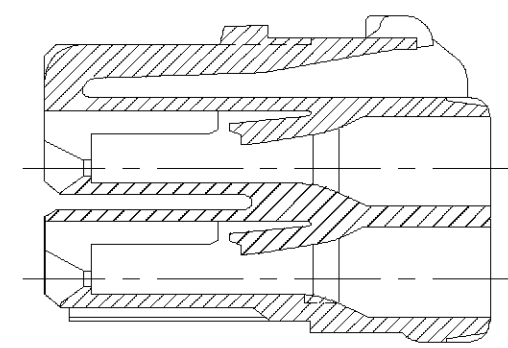
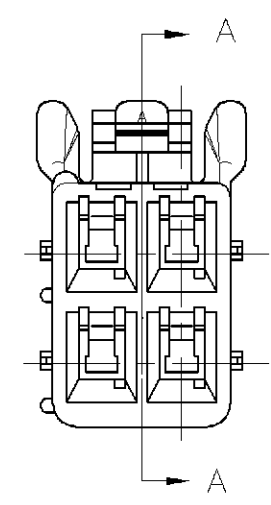
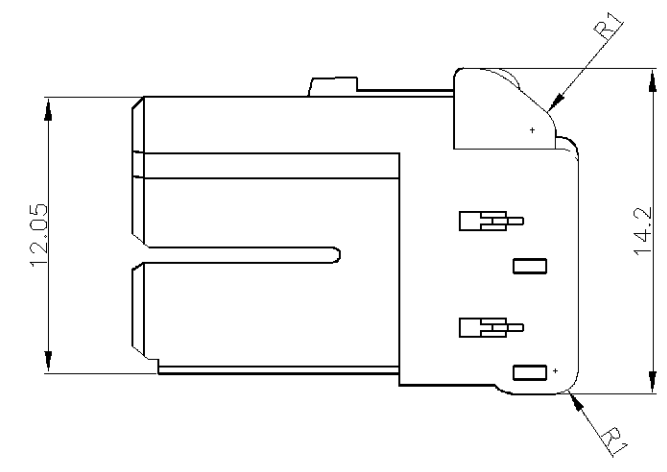
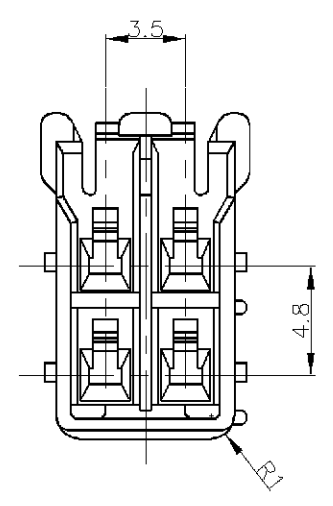
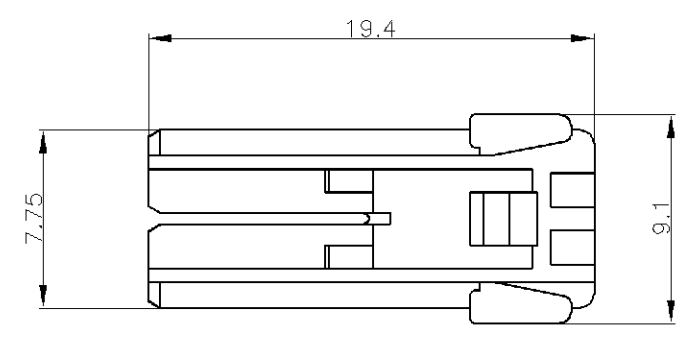


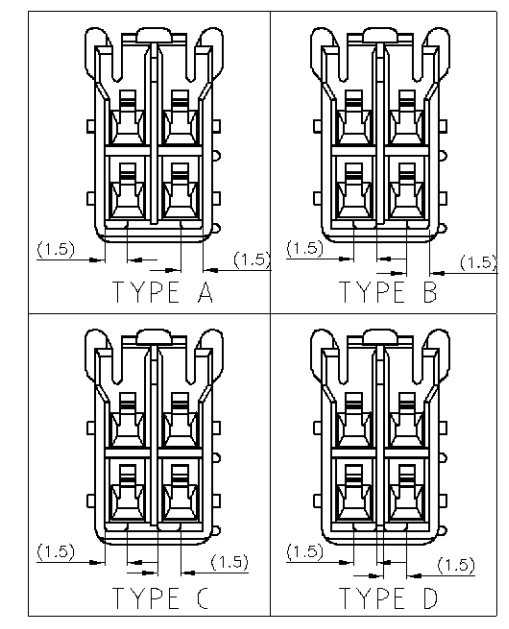
THIS DRAWING IS UNPUBLISHED. RELEASED FOR PUBLICATION  
 © COPYRIGHT BY TYCO ELECTRONICS CORPORATION. ALL RIGHTS RESERVED.

LOC	DIST	REVISIONS					
J	—	P	LTR	DESCRIPTION	DATE	DWN	APVD
			0	RELEASED FJ00-2828-01	30 MAY. '02	A.O	M.S



断面A-A  
SECT A-A

KEYING TYPE



3-1565087-4	D	YELLOW	3-1565083-4
2-1565087-3	C	BLUE	2-1565083-3
1-1565087-2	B	RED	1-1565083-2
1565087-1	A	NATURAL	1565083-1
MATING HSG P/N	KEYING TYPE	COLOR	P/N

- 注) 1.一般公差:±0.25  
 △材料: 66ナイロン ガラス無(UL94V-0)  
 △かん合相手製品型番  
 キャップハウジング: TABLE参照のこと  
 リセコンタクト: 1565079-1, 1612334-1  
 4. 適応プレート型番: 1565089-1

- NOTES)  
 1.GENERAL TOLERANCE:±0.25  
 △MATERIAL:66 NYLON NON-GLASS FILLED (UL94V-0)  
 △MATING CONN. P/N  
 CAP HOUSING:SEE TABLE  
 REC CONTACT ;1565079-1,1612334-1  
 4. APPLICABLE PLATE P/N :1565089-1

THIS DRAWING IS A CONTROLLED DOCUMENT.		DWN A.OISHI 30 MAY. '02	<b>tyco</b> Tyco Electronics AMP K.K.	
		CHK M.SHINDO 30 MAY. '02	Kawasaki, Japan	
		APVD M.SHINDO 30 MAY. '02	NAME GRACE INERTIA CONNECTOR 3.5	
DIMENSIONS: 単位: 耗 MM		PRODUCT SPEC 製品規格 108-5810	4POS PLUG HOUSING	
TOLERANCES UNLESS OTHERWISE SPECIFIED: 一般公差		APPLICATION SPEC 取付適用規格 114-5306	グレイス・イナーシャ・コネクタ 3.5 4極 プラグハウジング	
0 PLC ± 1 PLC ± 2 PLC ± 3 PLC ± 4 PLC ± ANGLES ±		WEIGHT -	SIZE A3	CAGE CODE 00779
MATERIAL 材料 SEE NOTE△		FINISH 仕上 -	DRAWING NO 番号 C-1565083	
		CUSTOMER DRAWING		RESTRICTED TO -
		SCALE 尺度 -	SHEET 1 OF 1	REV 0

# Mouser Electronics

Authorized Distributor

Click to View Pricing, Inventory, Delivery & Lifecycle Information:

[TE Connectivity:](#)

[1-1565083-2](#)