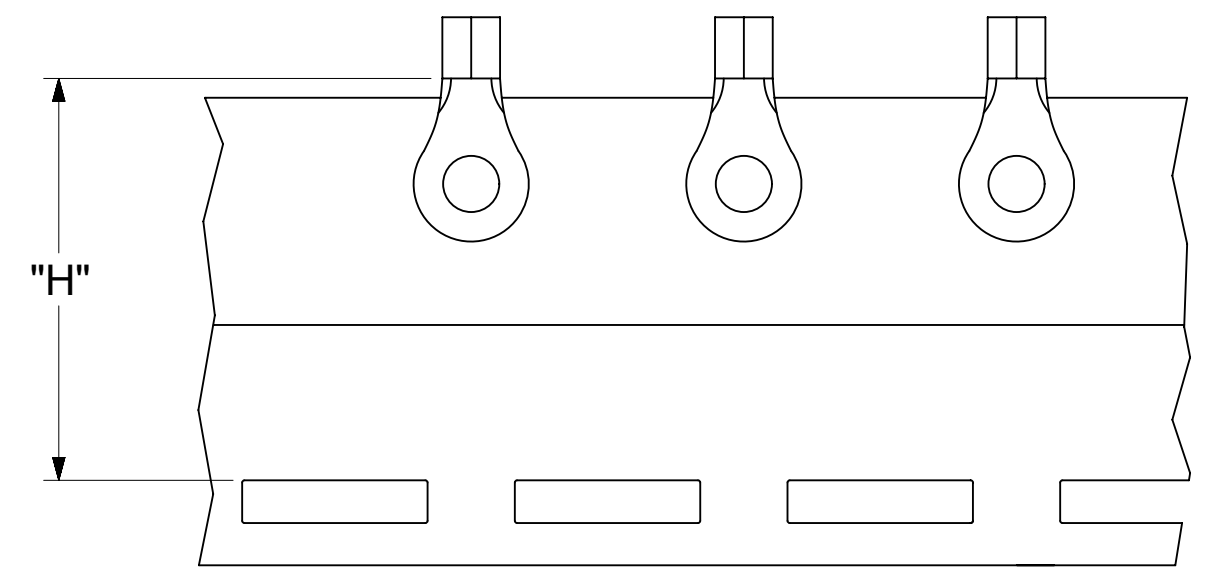
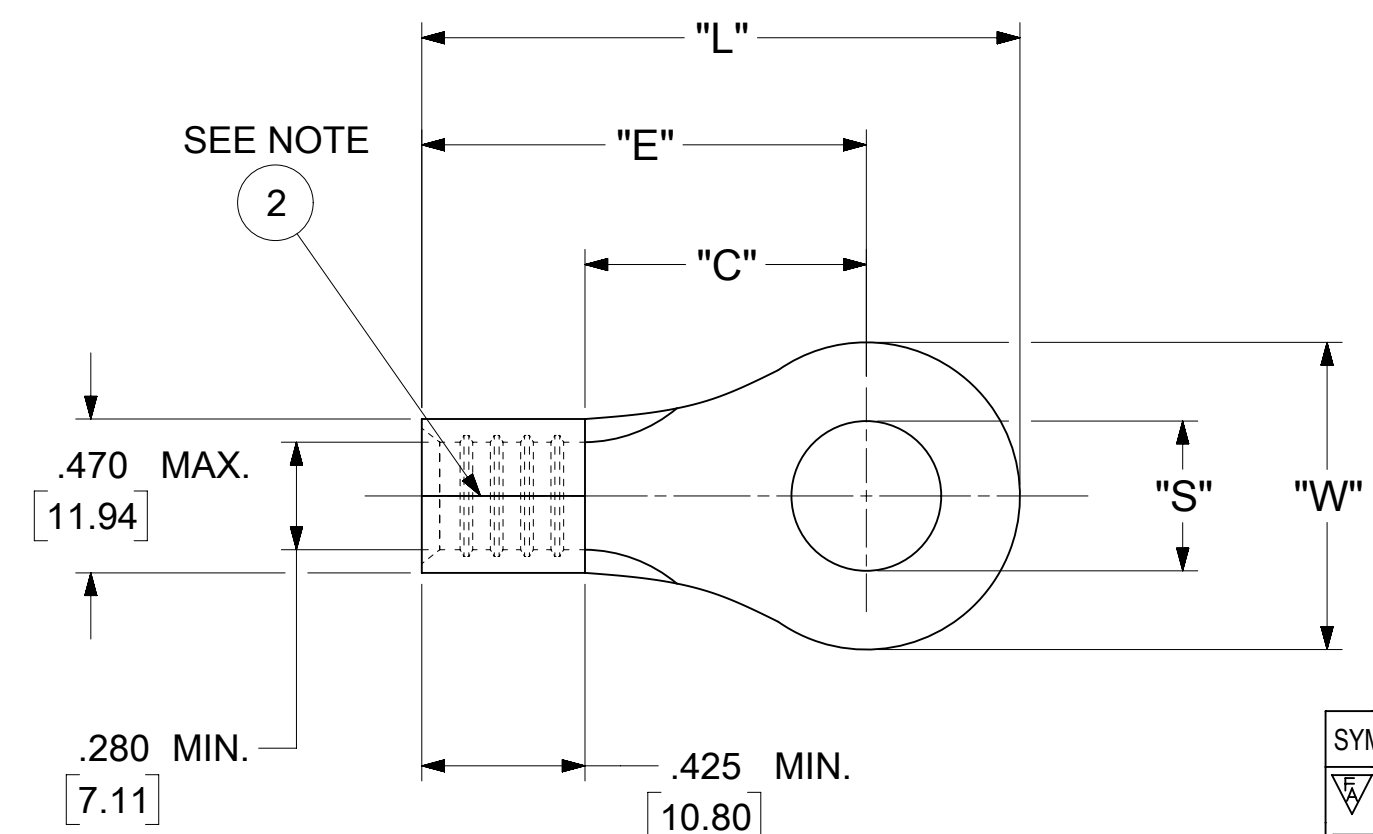


| LOOSE PIECE | | TAPE MOUNTED | | SPECIFICATIONS | | | | | | |
|-----------------|--------------------|-----------------|--------------------|----------------|---------------------|----------------------------|--------------|---------------|---------------|---------------|
| MATERIAL NUMBER | ENGINEERING NUMBER | MATERIAL NUMBER | ENGINEERING NUMBER | STUD SIZE | "S" ±.005 [0.13] | "W" | "C" MIN. | "E" MAX. | "L" MAX. | "H" |
| 191930254 | F-366-10 | --- | --- | 10 | .198 [5.03] | .665±.013 [16.89±0.33] | .520 [13.21] | 1.028 [26.11] | 1.385 [35.18] | 1.172 [29.77] |
| 191930258 | F-366-12 | --- | --- | 12 | .515 [13.08] | | | | | |
| 191930261 | F-366-14 | 191930263 | F-366-14T | 14 | .265 [6.73] | | | | | |
| 191930264 | F-366-38 | 191930266 | F-366-38T | 38 | .390 [9.91] | | | | | |
| 191930267 | F-366-56 | 191930269 | F-366-56T | 56 | .328 [8.33] | | | | | |
| 191930270 | F-366-76 | --- | --- | 76 | .453 [11.51] | | | | | |
| 191930273 | F-367-10 | 191930274 | F-367-10T | 10 | .198 [5.03] | .475±.010 [12.06±0.25] | .520 [13.21] | 1.028 [26.11] | 1.288 [32.72] | 1.172 [29.77] |
| 191930275 | F-367-14 | 191930277 | F-367-14T | 14 | .265 [6.73] | | | | | |
| 191930278 | F-367-56 | --- | --- | 56 | .328 [8.33] | | | | | |
| 191930281 | F-369-12 | --- | --- | 12 | .515 [13.08] | .885±.010 [22.48±0.25] | .989 [25.12] | 1.497 [38.02] | 1.970 [50.04] | --- |
| 191930282 | F-369-14 | --- | --- | 14 | .265 [6.73] | | | | | |
| 191930283 | F-369-38 | --- | --- | 38 | .390 [9.91] | | | | | |
| 191930284 | F-369-56 | --- | --- | 56 | .328 [8.33] | | | | | |
| 191930285 | F-369-58 | --- | --- | 58 | .656 [16.66] | | | | | |
| 191930286 | F-369-76 | --- | --- | 76 | .453 [11.51] | | | | | |
| 191930287 | F-370-12 | --- | --- | 12 | .515 [13.08] | 1.260±.010 [32.00±0.25] | .989 [25.12] | 1.497 [38.02] | 2.158 [54.81] | --- |
| 191930288 | F-370-14 | --- | --- | 14 | .265 [6.73] | | | | | |
| 191930289 | F-370-34 | --- | --- | 34 | .781 [19.84] | | | | | |
| 191930291 | F-370-38 | --- | --- | 38 | .390 [9.91] | | | | | |
| 191930292 | F-370-56 | --- | --- | 56 | .328 [8.33] | | | | | |
| 191930293 | F-370-58 | --- | --- | 58 | .656 [16.66] | | | | | |
| 191930294 | F-370-76 | --- | --- | 76 | .453 [11.51] | | | | | |

- NOTES:
- MATERIAL: COPPER
PLATING: ELECTRO-TIN (.0003 MIN).
 - BRAZED SEAM
 - WIRE SIZE: 4 AWG
25 MM²
 - "UL" LISTING #E32244
"CSA" LISTING #18689
 - ALL DIMENSIONS IN INCHES/[MM].
 - PARTS ARE ROHS COMPLIANT.
 - DIMS. SHOWN ARE FOR REFERENCE ONLY.



PARTS ON TAPE

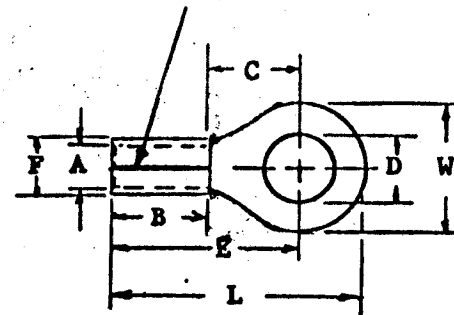
| | | | |
|---|---|--|--|
| SYMBOLS DIMENSION UNITS: INCH/MM SCALE: NTS CURRENT REV DESC: MIGRATION TO ECTR/NX EC NO: 620820 DRWN: ABENJAMINLW 2019/07/09 CHK'D: GROJAS01 2019/07/17 APPR: JMACNEIL 2019/08/06 INITIAL REVISION: DRWN: LEM 1970/03/02 APPR: JMACNEIL 2019/08/06 ANGULAR TOL ± 0.5 ° DRAFT WHERE APPLICABLE MUST REMAIN WITHIN DIMENSIONS THIRD ANGLE PROJECTION DRAWING SERIES: C-SIZE 19193 | THIS DRAWING CONTAINS INFORMATION THAT IS PROPRIETARY TO MOLEX ELECTRONIC TECHNOLOGIES, LLC AND SHOULD NOT BE USED WITHOUT WRITTEN PERMISSION | | |
| | molex RING TONGUE TERMINAL VERSAKRIMP | | |
| | PRODUCT CUSTOMER DRAWING DOCUMENT NUMBER: 191930254 DOC TYPE: PSD DOC PART: 000 REVISION: A | | |
| | MATERIAL NUMBER: SEE TABLE CUSTOMER: GENERAL MARKET SHEET NUMBER: 1 OF 1 | | |

MATERIAL: Copper
 PLATING: Electro-Tin
 STUD SIZE: "D" $\pm .005$

- 10 - .198
- 14 - .265
- 56 - .328
- 38 - .390
- 76 - .453
- 12 - .515
- 58 - .656
- 34 - .781
- 209 = .209
- 413 = .413

VERSAKRIMP

BRAZE SEAM



Customer Dimensions

| Part No. | Wire Size | "W" | "C" Min | "E" Max | "B" Min | "L" Max | "A" Min | Stock Thkns. (A) | "F" Max | AVAILABLE STUD SIZE |
|----------|-----------|-----------------------|---------|---------|---------|---------|---------|------------------|---------|-------------------------------------|
| F-366- | #4 | $\frac{.652}{.678}$ | .520 | 1.028 | .425 | 1.385 | .280 | REF. .075 | .470 | 209, 413 10, 14, 56, 38, 76, 12, |
| F-367- | #4 | $\frac{.465}{.485}$ | .520 | 1.028 | .425 | 1.288 | .280 | REF. .075 | .470 | 10, 14, 56 |
| F-369- | #4 | $\frac{.875}{.895}$ | .989 | 1.497 | .425 | 1.970 | .280 | REF. .075 | .470 | 14, 56, 38, 76, 12, 58 |
| F-370- | #4 | $\frac{1.250}{1.270}$ | .989 | 1.497 | .425 | 2.158 | .280 | REF. .075 | .470 | 14, 56, 38, 76, 12, 58, 34 |
| | | | | | | | | | | |
| | | | | | | | | | | |
| | | | | | | | | | | |
| | | | | | | | | | | |
| | | | | | | | | | | |
| | | | | | | | | | | |
| | | | | | | | | | | |
| | | | | | | | | | | |

For parts to be on tape add "T" at end of part number.



TITLE:

"F" RING TONGUE TERMINAL

DIMENSIONAL TOLERANCE UNLESS OTHERWISE SPECIFIED

| FRAC. | DEC. | ANG. |
|-------|-------|-------|
| \pm | \pm | \pm |

| REVISION | SCALE: NONE | DATE |
|----------|---------------|--------|
| A | DRWN. BY: LEM | 3/2/70 |
| | CHKD. BY: | |
| | APPRD. BY: | |
| | DRAWING NO.: | |

ETC 50245 117 R6M

Mouser Electronics

Authorized Distributor

Click to View Pricing, Inventory, Delivery & Lifecycle Information:

[Molex:](#)

[19193-0288](#) [19193-0291](#) [19193-0289](#)