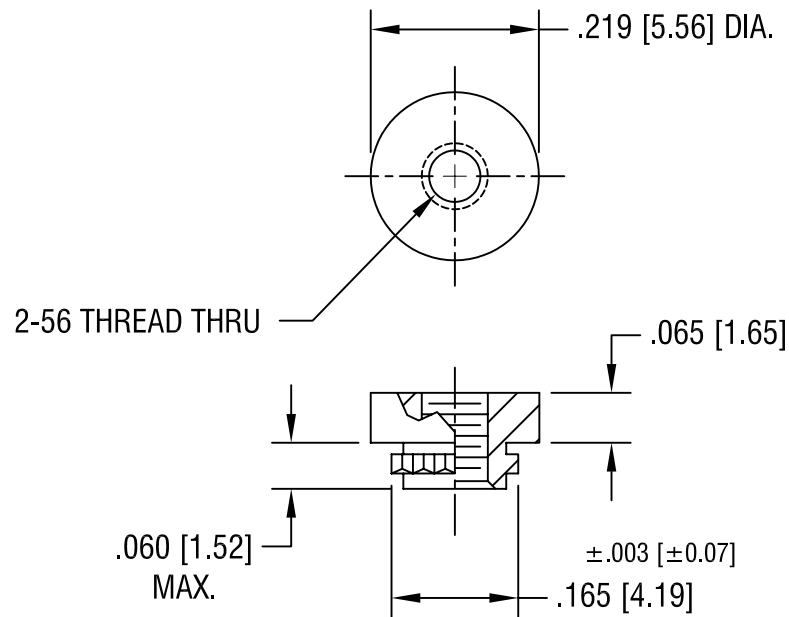


THIS DOCUMENT IS THE PROPERTY OF
KEYSTONE ELECTRONICS CORP. AND
SHALL NOT BE REPRODUCED, DISTRIBUTED
OR USED AS A BASIS FOR MANUFACTURE
WITHOUT PRIOR WRITTEN PERMISSION
FROM KEYSTONE ELECTRONICS CORP.



KEYSTONE ELECTRONICS CORP.

ASTORIA, N.Y. 11105-2017

PART NAME

FORCE-FIT STANDOFF, THREADED

MATERIAL

STAINLESS STEEL

FINISH

-

DRN BY

BOONE

DATE

5.30.96

APP'D

LN

SCALE

4X

12.19.05

CHANGE AS PER ECN 05-084

A

TOLERANCES

INCH [MM]

CODE

DWG NO.

DECIMAL ±.005 [±0.15]

C/M

ANGULAR ± 1°
UNLESS OTHERWISE SPECIFIED

4860

DATE

DESCRIPTION

REV.

Mouser Electronics

Authorized Distributor

Click to View Pricing, Inventory, Delivery & Lifecycle Information:

[Keystone Electronics:](#)

[4860](#)