

THIS DRAWING IS UNPUBLISHED.  
DIFFUSION RESTREINTE AMP

RELEASED FOR PUBLICATION  
LIBRE A LA DIFFUSION

ALL RIGHTS RESERVED.  
TOUS DROITS RESERVES

© COPYRIGHT - TE Connectivity

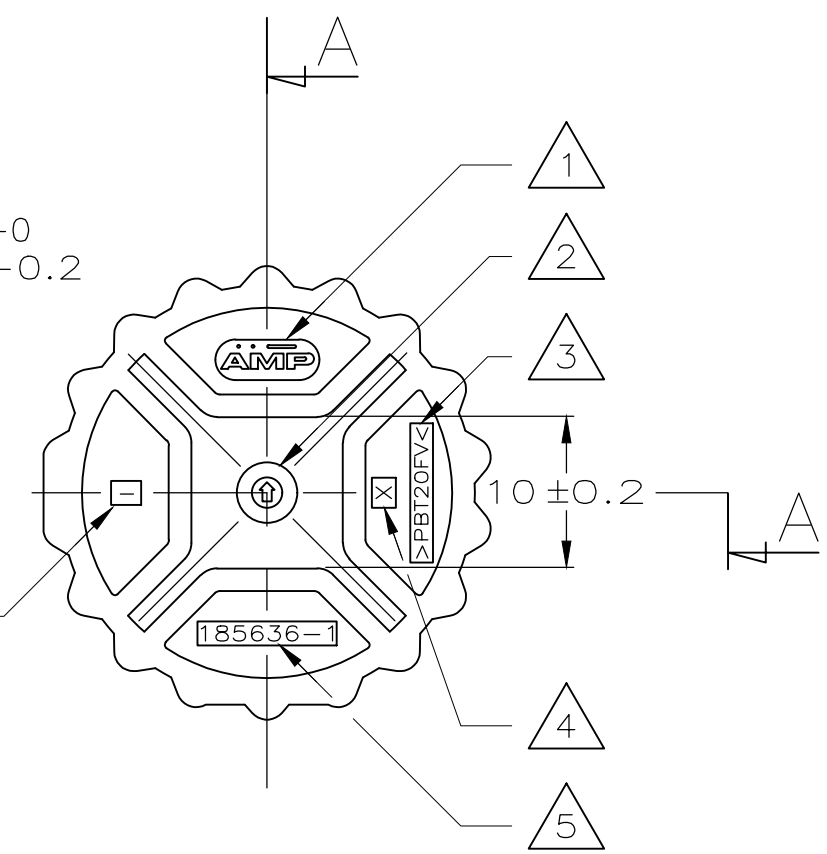
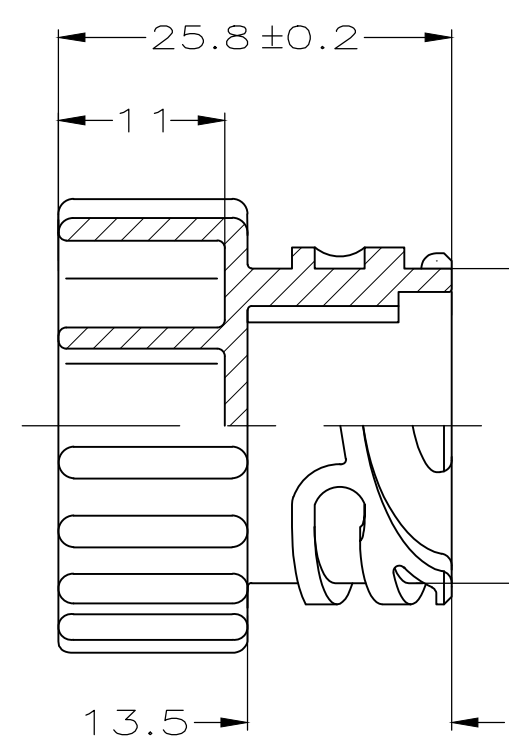
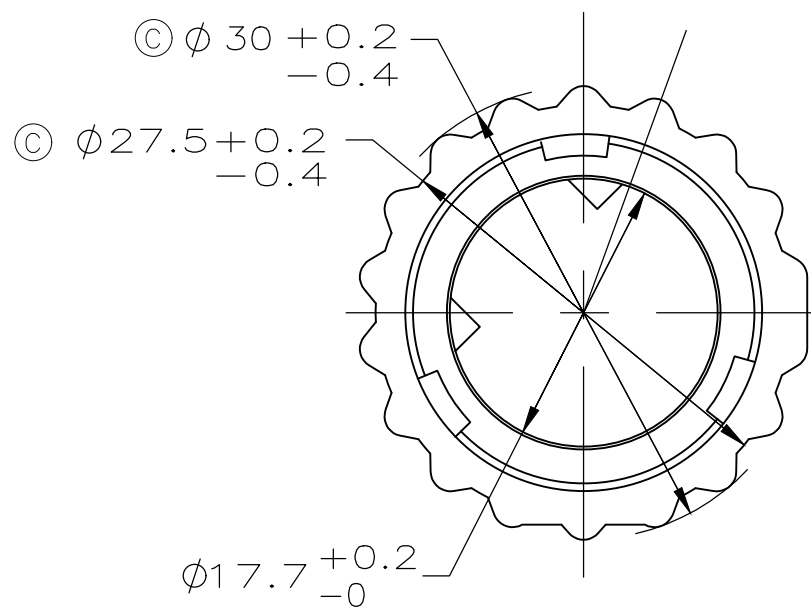
DIST

7

REVISIONS


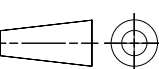
P	LTR REV	DESCRIPTION MODIFICATIONS	DATE	DWN DESS.	APVD APP.
	A	UPDATE OF RING DESIGN	14JAN1997	RB	-
	B	ADD ENGLISH TRANSLATION	18JAN2011	CS	JPP
	C	TOLERANCE UPDATE	12OCT2017	ASB	SA

SECTION A-A  
SECTION A-A



NOTES

- 1 MARQUAGE LOGO  
LOGO MARKING
- 2 DATEUR  
DATE CODE
- 3 MARQUAGE MATIERE  
MATERIEL MARKING
- 4 REPERE D'EMPREINTE  
CAVITY NUMBER
- 5 MARQUAGE REF. TE  
PART NUMBER MARKING
- 6 INDICE DE REVISION PRODUIT  
PART REVISION CODE

THIS DRAWING IS A CONTROLLED DOCUMENT. CE SCHÉMA EST UN DOCUMENT CONTROLÉ		DWN/DESSINE D.BENOIT 11MAR1996	 TE Connectivity				
DIMENSIONS: mm		CHK/VERIFIE R.BONNET 05FEB1997					
TOLERANCES UNLESS OTHERWISE SPECIFIED: TOLERANCES NON SPECIFIEES (SUIV NB DE DECIMALES):		APVD/APPROUVE JJ.REVIL 05FEB1997	NAME TITRE				
 0 PLC/DEC: ± - 1 PLC/DEC: ± - 0.3 2 PLC/DEC: ± - 3 PLC/DEC: ± - 4 PLC/DEC: ± - ANGLES ±5°		PRODUCT SPEC SPEC. PRODUIT	OBTURATEUR DE PORTE-DOUILLE DIA2.5MM OBTURATOR OF CARRY-CASING DIA2.5MM				
MATERIAL MATIERE PBT 20 FV		FINISH FINITION NOIR BLACK	APPLICATION SPEC SPEC. APPLICATION	SIZE FORMAT A3	CAGE CODE 00779	DRAWING NO No PLAN C-185636	RESTRICTED TO RESERVE A
CUSTOMER DRAWING/PLAN CLIENT			UNIQUEMENT POUR REFERENCE	SCALE ECHELLE 2:1	SHEET FEUILLE 1 DE 1	REV C	

# Mouser Electronics

Authorized Distributor

Click to View Pricing, Inventory, Delivery & Lifecycle Information:

[TE Connectivity:](#)

[185636-1](#)