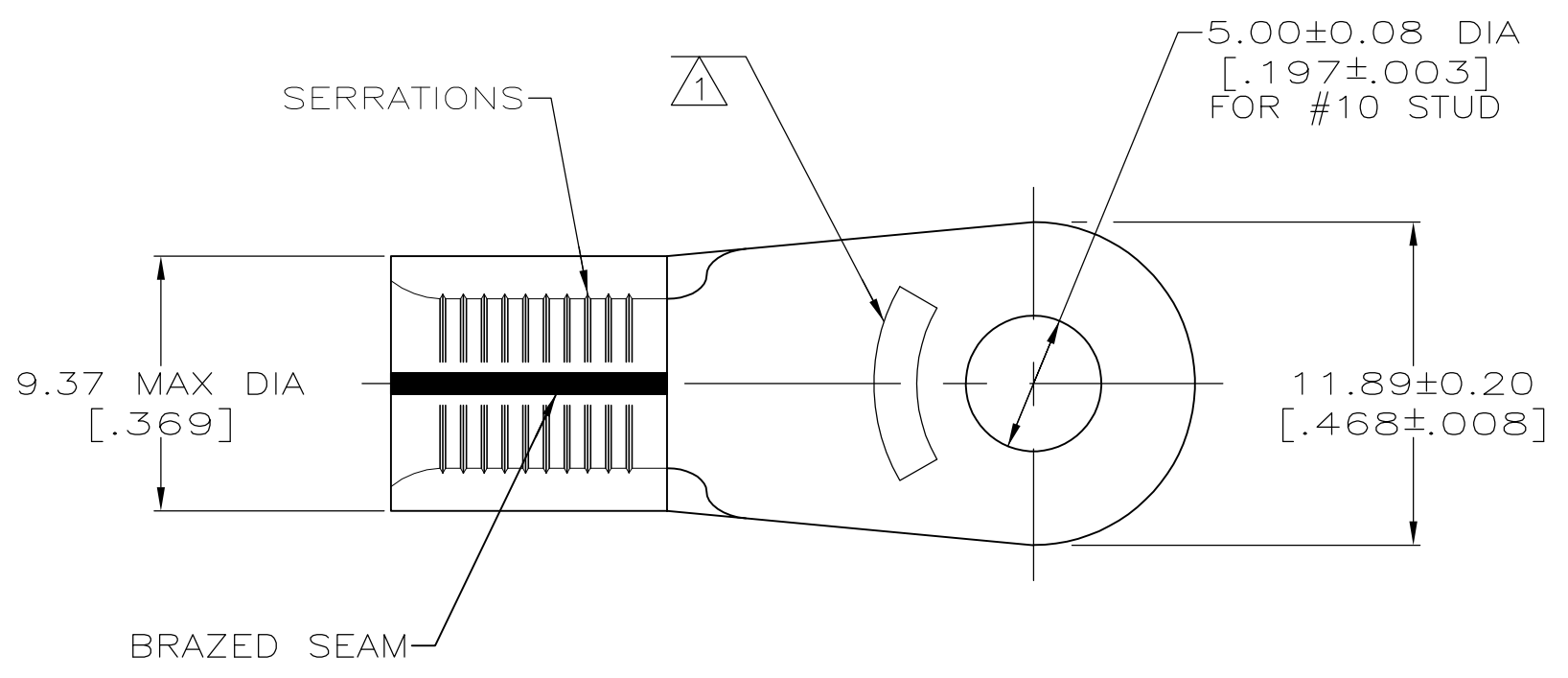
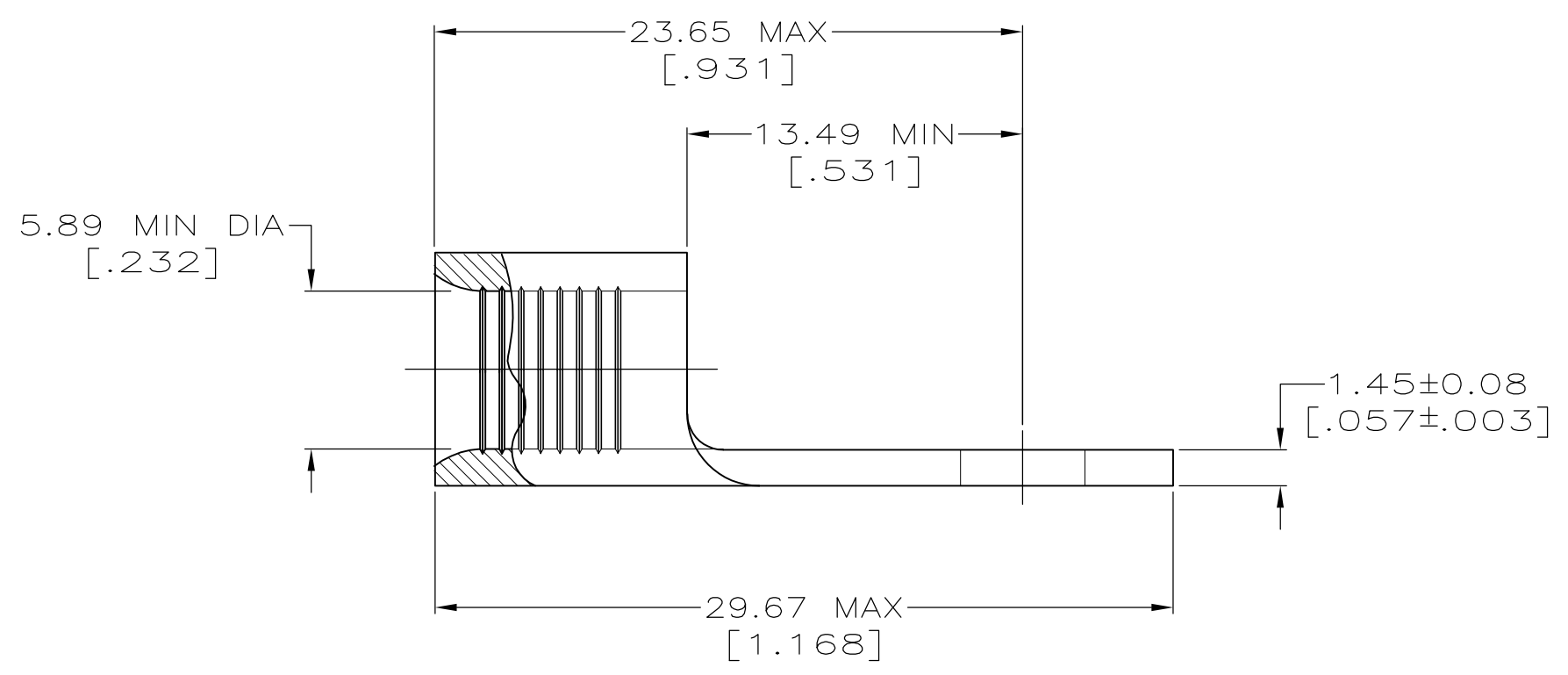


METRIC
 DIMENSIONS LISTED IN mm [INCHES]



| | |
|----------------------------|---------------------------------------|
| AMP WIRE RANGE | E13288 Listed |
| 6 AWG SOLID OR STRANDED | 6 AWG STRANDED |
| LR7189 Certified | MILITARY P/N AND CLASS |
| 6 AWG SOLID OR STRANDED | MS20659-130 CLASS 2 PN 321298 ONLY |

STAMP AMP 6* APPROX AS SHOWN



| | | |
|--|--|---|
| AMP INCORPORATED CUSTOMER SERVICE SYSTEMS | | MAX RECOMMENDED OPERATING TEMPERATURE: 170° C MAX |
| FOR ADDITIONAL PRODUCT INFORMATION OR COPIES OF DRAWINGS AND TECHNICAL DOCUMENTS | PRODUCT INFORMATION CENTER 1-800-522-6752 | VOLTAGE RATING: NOT APPLICABLE |
| FOR APPLICATION TOOLING INFORMATION | TOOLING ASSISTANCE CENTER 1-800-722-1111 | WIRE CROSS SECTIONAL AREA RANGE: 10.5-16.8mm ² [20,800-33,100] CIR MILS SOLID OR STRANDED |
| FOR ORDER ENTRY | 1-800-526-5142 | THIS DRAWING IS A CONTROLLED DOCUMENT FOR AMP INCORPORATED. IT IS SUBJECT TO CHANGE AND THE CONTROLLING ENGINEERING ORGANIZATION SHOULD BE CONTACTED FOR THE LATEST REVISION. |

| | | | |
|----------|---------------------------|---|------------|
| 25 | LOOSE PIECE BOX 321298 | TIN PLATE 0.00254[.000100] MIN THK PER MIL-T-10727 | 8-321298-3 |
| 750 | ON TAPE REEL 321298 | TIN PLATE 0.00254[.000100] MIN THK PER MIL-T-10727 | 2-321298-6 |
| ---- | LOOSE PIECE | UNPLATED | 2-321298-4 |
| ---- | LOOSE PIECE | TIN PLATE 0.00254[.000100] MIN THK PER MIL-T-10727 | 321298 |
| QUANTITY | PACKAGE TYPE | FINISH | PART NO |

| | | | | |
|---|---------------------|--------------------------------|----------------------------------|--------------------|
| THIS DRAWING IS A CONTROLLED DOCUMENT. | | DWN TA BRINKMAN 3-24-93 | TE Connectivity | |
| DIMENSIONS: MM [INCHES] | | CHK DA PATTERSON 3-24-93 | NAME DE MILLER 3-24-93 | |
| TOLERANCES UNLESS OTHERWISE SPECIFIED: 0 PLC ± - 1 PLC ± - 2 PLC ± - 3 PLC ± - 4 PLC ± - ANGLES ± ± - | | APVD DE MILLER 3-24-93 | PRODUCT SPEC APPLICATION SPEC | |
| MATERIAL COPPER PER ASTM B-152 ANNEALED | FINISH SEE TABLE | WEIGHT - | SIZE A2 | CAGE CODE 00779 |
| CUSTOMER DRAWING | | DRAWING NO G-321298 | RESTRICTED TO - | SCALE 4:1 |
| | | SHEET 1 of 1 | REV S1 | |

Mouser Electronics

Authorized Distributor

Click to View Pricing, Inventory, Delivery & Lifecycle Information:

[TE Connectivity:](#)

[2-321298-6](#)