

**PLEASE CHECK WWW.MOLEX.COM FOR LATEST PART INFORMATION**

**Part Number:** [0019091129](#)  
**Status:** **Active**  
**Overview:** Standard .093" Pin and Socket Connectors  
**Description:** 2.36mm Diameter Standard .093" Pin and Socket Receptacle Housing with Positive Latch, UL 94V-2, 12 Circuits

**Documents:**

[3D Model](#) [Product Specification PS-02-09 \(PDF\)](#)  
[Drawing \(PDF\)](#) [RoHS Certificate of Compliance \(PDF\)](#)

**Agency Certification**

CSA LR19980  
 UL E29179

**General**

Product Family Crimp Housings  
 Series [3191](#)  
 Application Power, Wire-to-Board, Wire-to-Wire  
 Comments Polarized to Mating Part  
 Overview [Standard .093" Pin and Socket Connectors](#)  
 Product Name Standard .093"  
 UPC 800753594562

**Physical**

Circuits (maximum) 12  
 Circuits Detail 3x4  
 Color - Resin Natural  
 Flammability 94V-2  
 Gender Receptacle  
 Glow-Wire Capable No  
 Keying to Mating Part None  
 Lock to Mating Part Yes  
 Material - Resin Nylon  
 Net Weight 8.873/g  
 Number of Rows 3  
 Packaging Type Bag  
 Panel Mount No  
 Pitch - Mating Interface 6.70mm  
 Polarized to Mating Part Yes  
 Stackable No  
 Temperature Range - Operating -40° to +105°C

**Electrical**

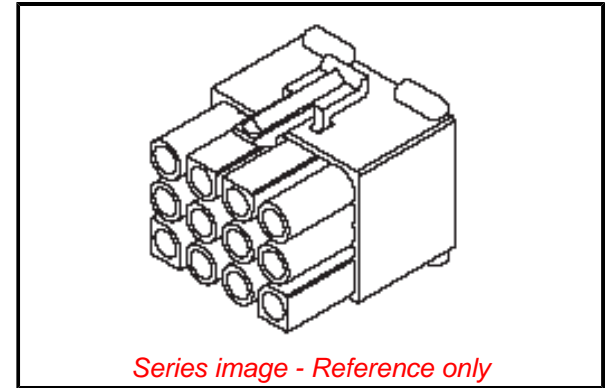
Current - Maximum per Contact 9.0A

**Material Info**

Engineering Number 3191-12R1

**Reference - Drawing Numbers**

Product Specification PS-02-09  
 Sales Drawing SD-3191-12R1\*-\*



**EU ELV**

**Not Relevant**

**EU RoHS**

**Compliant**

**REACH SVHC**

Not Contained Per -  
 ED/61/2018 (27 June  
 2018)

**Halogen-Free**

**Status**

**Not Reviewed**

For more information, please visit [Contact US](#)

China ROHS

ELV

RoHS Phthalates

**China RoHS**

Green Image

Not Relevant

Not Contained

**Search Parts in this Series**

[3191](#) Series

**Mates With**

[19-09-2126](#) , [19-09-2127](#) , [19-09-2128](#) ,  
[19-09-2129](#) , [521 9](#)

**Use With**

[1189](#) Crimp Terminals, [1190](#) Crimp Terminals, [1380](#) Male Crimp Terminals, [1381](#) Female Crimp Terminals, [1433](#) Crimp Terminals, [1434](#) Male Crimp Terminals, [2605](#) , [2606](#) , [1973](#) , [2151](#) , [2273](#) , [2870](#) , Link:[2871](#), [4272](#)

# Mouser Electronics

Authorized Distributor

Click to View Pricing, Inventory, Delivery & Lifecycle Information:

[Molex:](#)

[19-09-1129](#)