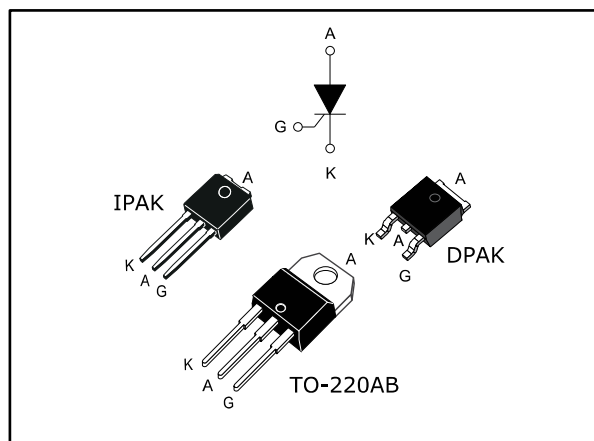


Sensitive gate 4 A SCRs

Datasheet - production data



Description

Thanks to highly sensitive triggering levels, the device is suitable for all applications where the available gate current is limited, such as motor control for hand tools, kitchen aids, overvoltage crowbar protection for low power supplies among others.

Available in through-hole and surface-mount packages, they provide an optimized performance in a limited space area.

Table 1: Device summary

| Order code | Sensitivity | Package |
|------------|-------------|----------|
| TS420-600B | 0.2 mA | DPAK |
| TS420-600H | | IPAK |
| TS420-600T | | TO-220AB |

Features

- On-state RMS current: 4 A
- Repetitive peak off-state voltage (V_{DRM} , V_{RRM}) 600 V
- Triggering gate current, I_{GT} 0.2 mA

1 Characteristics

Table 2: Absolute ratings (limiting values)

| Symbol | Parameter | | Value | Unit | |
|--------------|--|-------------------------------|---|-------------|------------------|
| $I_{T(RMS)}$ | RMS on-state current (180 ° conduction angle) | | $T_C = 115^\circ\text{C}$ | 4 | A |
| $I_{T(AV)}$ | Average on-state current (180 ° conduction angle) | | $T_C = 115^\circ\text{C}$ | 2.5 | A |
| I_{TSM} | Non repetitive surge peak on-state current | $t_p = 8.3\text{ ms}$ | $T_{j\text{ initial}} = 25^\circ\text{C}$ | 33 | A |
| | | $t_p = 10\text{ ms}$ | | 30 | |
| I^2t | I^2t value for fusing | $t_p = 10\text{ ms}$ | $T_j = 25^\circ\text{C}$ | 4.5 | A ² s |
| di/dt | Critical rate of rise of on-state current $I_G = 10\text{ mA}$, $dI_G/dt = 0.1\text{ A}/\mu\text{s}$ | $f = 60\text{ Hz}$ | $T_j = 125^\circ\text{C}$ | 50 | A/ μs |
| I_{GM} | Peak gate current | $t_p = 20\text{ }\mu\text{s}$ | | 1.2 | A |
| $P_{G(AV)}$ | Average gate power dissipation | | | 0.2 | W |
| V_{RGM} | Maximum peak reverse gate voltage | | | 5 | V |
| T_{stg} | Storage junction temperature range | | | -40 to +150 | °C |
| T_j | Maximum operating junction temperature | | | -40 to +125 | °C |

Table 3: Device timings

| Symbol | Parameter | Test conditions | Value | Unit |
|----------|----------------------------------|--|------------|---------------|
| t_{GT} | Gate controlled turn on time | $I_{TM} = 10\text{ A}$, $T_j = 25^\circ\text{C}$, $V_D = V_{DRM(max.)}$, $I_{GT} = 10\text{ mA}$, $dI_G/dt = 0.2\text{ A}/\mu\text{s}$, $R_G = 1\text{ k}\Omega$ | 0.5 (typ.) | μs |
| t_Q | Circuit controlled turn off time | $I_{TM} = 8\text{ A}$, $T_j = 125^\circ\text{C}$, $V_D = 67\% V_{DRM(max.)}$, $V_R = 10\text{ V}$, $dI_T/dt = 10\text{ A}/\mu\text{s}$, $dV_D/dt = 2\text{ V}/\mu\text{s}$, $R_G = 1\text{ k}\Omega$ | 60 (typ.) | |

Table 4: Electrical characteristics ($T_j = 25\text{ °C}$ unless otherwise specified)

| Symbol | Test Conditions | | Value | Unit | | |
|-----------|---|-----------------------|-----------------------|------|------------------------|------------------|
| I_{GT} | $V_D = 12\text{ V}, R_L = 33\ \Omega$ | | Max. | 200 | μA | |
| V_{GT} | | | Max. | 0.8 | V | |
| V_{GD} | $V_D = V_{DRM}, R_L = 33\ \text{k}\Omega, R_{GK} = 220\ \Omega$ | $T_j = 125\text{ °C}$ | Min. | 0.1 | V | |
| I_H | $I_T = 50\ \text{mA}, R_{GK} = 1\ \text{k}\Omega$ | | Max. | 5 | mA | |
| I_L | $I_G = 2\ \text{mA}, R_{GK} = 1\ \text{k}\Omega$ | | Max. | 6 | mA | |
| dV/dt | $V_D = 67\% V_{DRM}, R_{GK} = 220\ \Omega$ | $T_j = 125\text{ °C}$ | Min. | 5 | $\text{V}/\mu\text{s}$ | |
| V_{TM} | $I_{TM} = 8\ \text{A}, t_P = 380\ \mu\text{s}$ | | $T_j = 25\text{ °C}$ | Max. | 1.6 | V |
| V_{T0} | Threshold voltage | | $T_j = 125\text{ °C}$ | Max. | 0.85 | V |
| R_D | Dynamic resistance | | $T_j = 125\text{ °C}$ | Max. | 90 | $\text{m}\Omega$ |
| I_{DRM} | $V_D = V_R = V_{DRM} = V_{RRM}, R_{GK} = 220\ \Omega$ | | $T_j = 25\text{ °C}$ | Max. | 5 | μA |
| I_{RRM} | | | $T_j = 125\text{ °C}$ | | 1 | mA |

Table 5: Thermal parameters

| Symbol | Parameter | | Value | Unit |
|---------------|--------------------------|------------------------------|-------|-----------------------------|
| $R_{th(j-c)}$ | Junction to case (DC) | | 3.0 | $^{\circ}\text{C}/\text{W}$ |
| $R_{th(j-a)}$ | Junction to ambient (DC) | $S^{(1)} = 0.5\ \text{cm}^2$ | 70 | |
| | | | 100 | |
| | | | 60 | |

Notes:

(1)Copper surface under tab

1.1 Characteristics (curves)

Figure 1: Maximum average power dissipation versus average on-state current

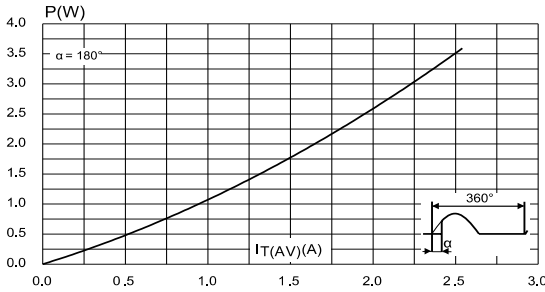


Figure 2: Average and DC on-state current versus case temperature

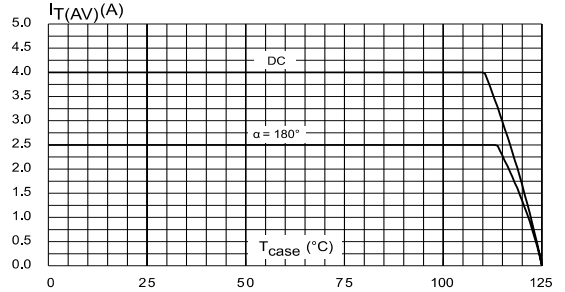


Figure 3: Average and D.C. on state current versus ambient temperature (DPAK)

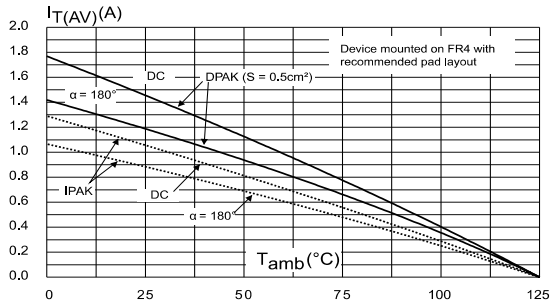


Figure 4: Relative variation of thermal impedance junction to ambient versus pulse duration (DPAK)

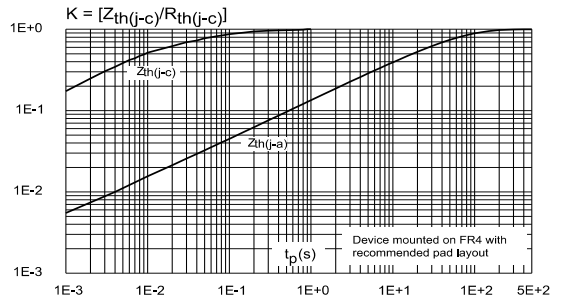


Figure 5: Relative variation of gate trigger current and holding current versus junction temperature

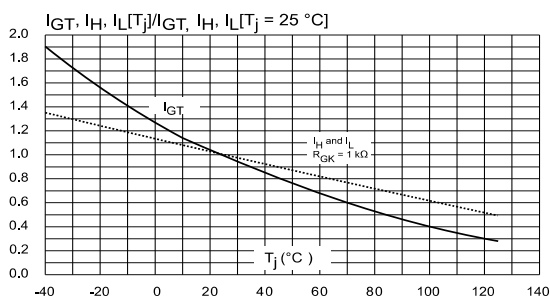


Figure 6: Relative variation of holding current versus gate-cathode resistance (typical values)

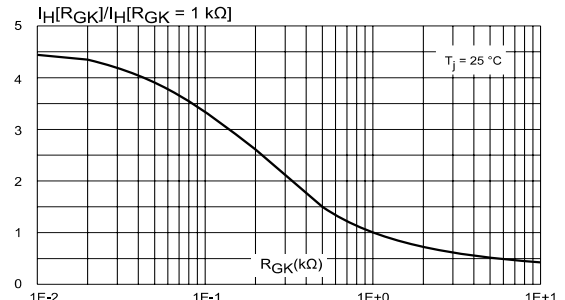


Figure 7: Relative variation of dV/dt immunity versus gate-cathode resistance (typical values)

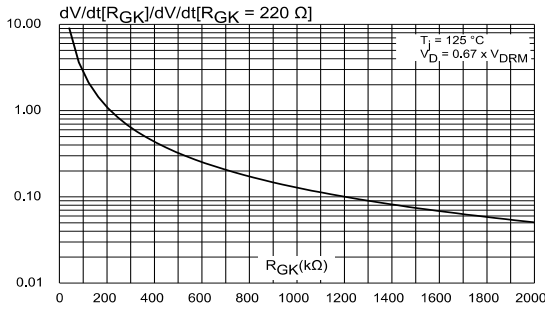


Figure 8: Relative variation of dV/dt immunity versus gate-cathode capacitance (typical values)

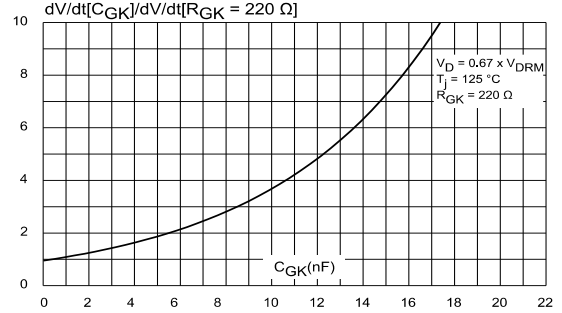


Figure 9: Surge peak on-state current versus number of cycles

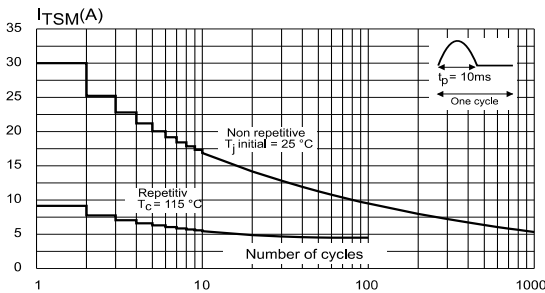


Figure 10: Non-repetitive surge peak on-state current

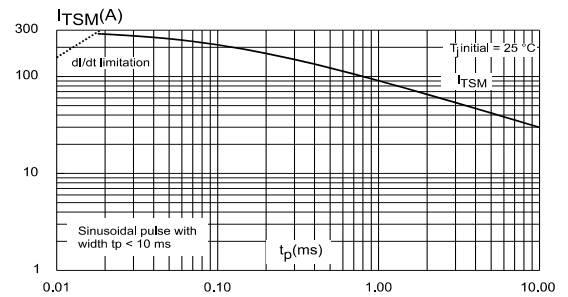


Figure 11: On-state characteristics (maximum values)

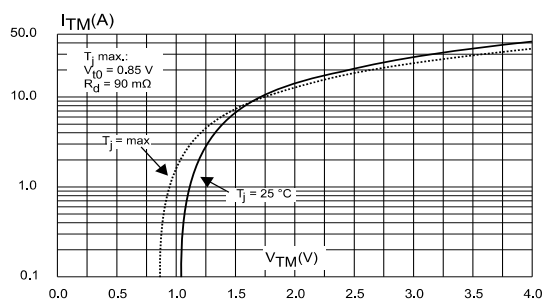
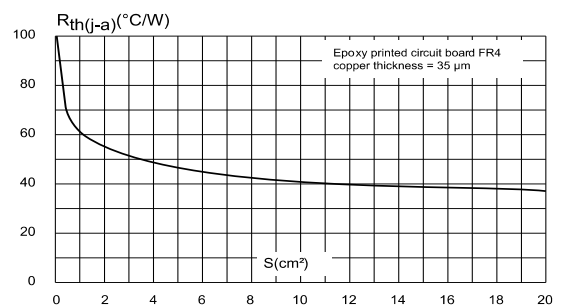


Figure 12: Thermal resistance junction to ambient versus copper surface under tab



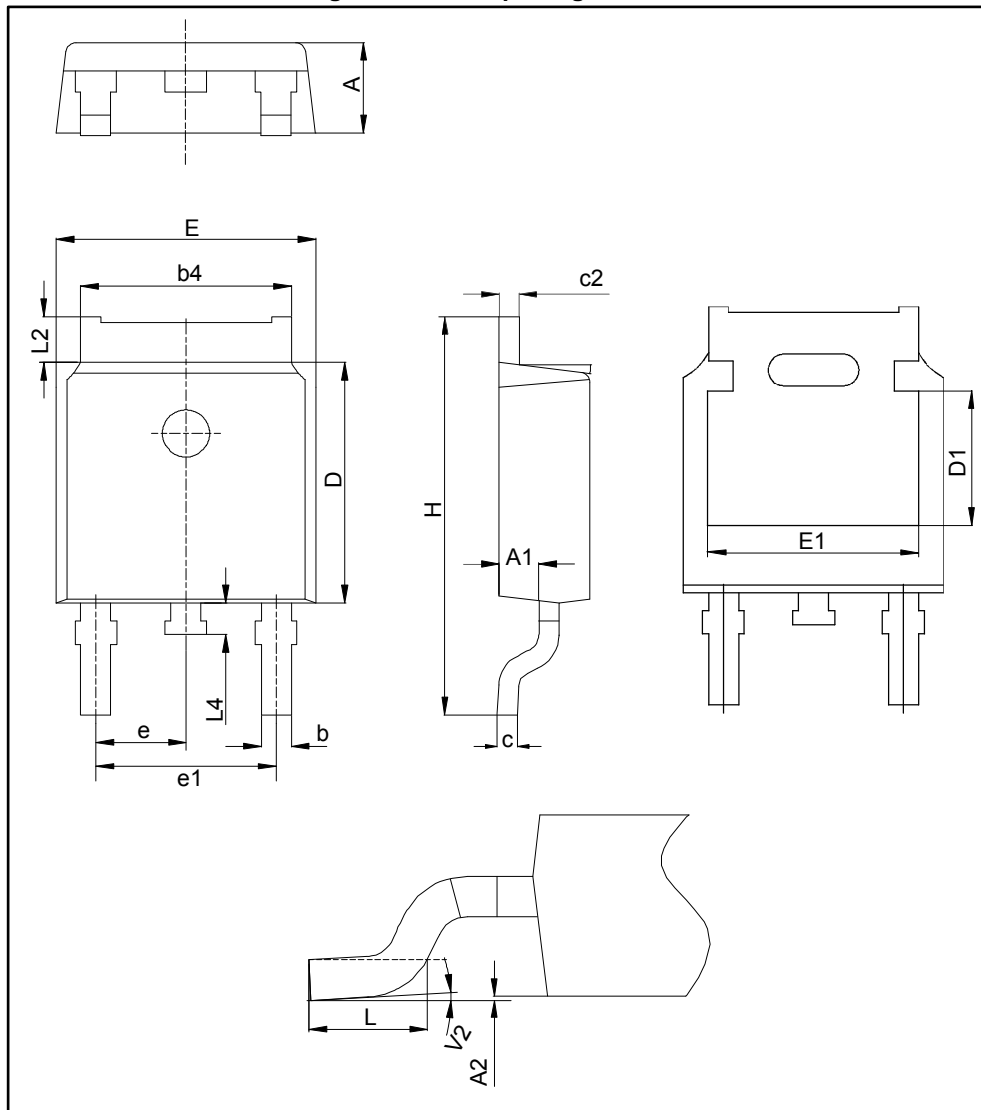
2 Package information

In order to meet environmental requirements, ST offers these devices in different grades of ECOPACK® packages, depending on their level of environmental compliance. ECOPACK® specifications, grade definitions and product status are available at: www.st.com. ECOPACK® is an ST trademark.

- Epoxy meets UL 94,V0
- Lead-free packages
- Recommended torque value: 0.4 to 0.6 N·m

2.1 DPAK package information

Figure 13: DPAK package outline



This package drawing may slightly differ from the physical package. However, all the specified dimensions are guaranteed.

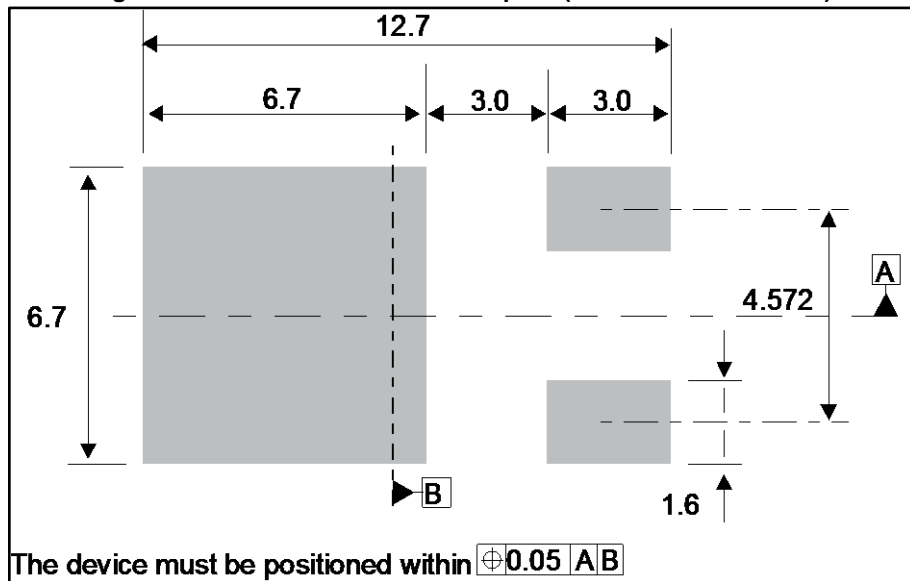
Table 6: DPAK package mechanical data

| Ref. | Dimensions | | | | | |
|------|-------------|------|-------|-----------------------|--------|--------|
| | Millimeters | | | Inches ⁽¹⁾ | | |
| | Min. | Typ. | Max. | Min. | Typ. | Max. |
| A | 2.18 | | 2.40 | 0.0858 | | 0.0945 |
| A1 | 0.90 | | 1.10 | 0.0354 | | 0.0433 |
| A2 | 0.03 | | 0.23 | 0.0012 | | 0.0091 |
| b | 0.64 | | 0.90 | 0.0252 | | 0.354 |
| b4 | 4.95 | | 5.46 | 0.1949 | | 0.2150 |
| c | 0.46 | | 0.61 | 0.0181 | | 0.0240 |
| c2 | 0.46 | | 0.60 | 0.0181 | | 0.0236 |
| D | 5.97 | | 6.22 | 0.2350 | | 0.2449 |
| D1 | 5.10 | | | 0.2007 | | |
| E | 6.35 | | 6.73 | 0.2500 | | 0.2650 |
| E1 | 4.32 | | | 0.1701 | | |
| e | | 2.29 | | | 0.0900 | |
| e1 | | 4.57 | | | 0.1800 | |
| H | 9.35 | | 10.40 | 0.3681 | | 0.4094 |
| L | 1.00 | | 1.78 | 0.0394 | | 0.0701 |
| L2 | | | 1.27 | | | 0.0500 |
| L4 | 0.60 | | 1.02 | 0.0236 | | 0.0402 |
| V2 | 0° | | +8° | 0° | | +8° |

Notes:

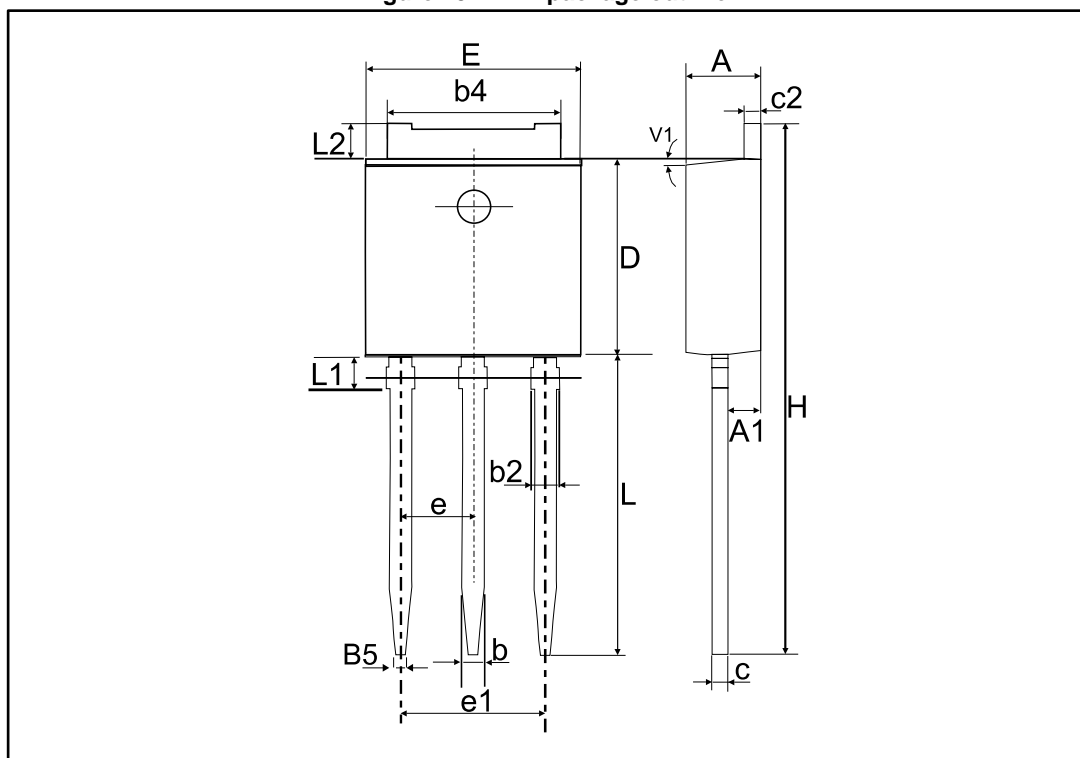
(1)Dimensions in inches are given for reference only

Figure 14: DPAK recommended footprint (dimensions are in mm)



2.2 IPAK package information

Figure 15: IPAK package outline



This package drawing may slightly differ from the physical package. However, all the specified dimensions are guaranteed.

Table 7: IPAK package mechanical data

| Ref. | Dimensions | | | | | |
|------|-------------|-------|------|-----------------------|--------|--------|
| | Millimeters | | | Inches ⁽¹⁾ | | |
| | Min. | Typ. | Max. | Min. | Typ. | Max. |
| A | 2.20 | | 2.40 | 0.0866 | | 0.0945 |
| A1 | 0.90 | | 1.10 | 0.0354 | | 0.0433 |
| b | 0.64 | | 0.90 | 0.0252 | | 0.0354 |
| b2 | | | 0.95 | | | 0.0374 |
| b4 | 5.20 | | 5.43 | 0.2047 | | 0.2138 |
| B5 | | 0.30 | | | 0.0118 | |
| c | 0.45 | | 0.60 | 0.0177 | | 0.0236 |
| c2 | 0.46 | | 0.60 | 0.0181 | | 0.0236 |
| D | 6.00 | | 6.20 | 0.2362 | | 0.2441 |
| E | 6.40 | | 6.65 | 0.2520 | | 0.2618 |
| e | | 2.28 | | | 0.0898 | |
| e1 | 4.40 | | 4.60 | 0.1732 | | 0.1811 |
| H | | 16.10 | | | 0.6339 | |
| L | 9.00 | | 9.60 | 0.3545 | | 0.3780 |
| L1 | 0.80 | | 1.20 | 0.0315 | | 0.0472 |
| L2 | | 0.80 | 1.25 | | 0.0315 | 0.0492 |
| V1 | | 10° | | | 10° | |

Notes:

⁽¹⁾Inch dimensions are for reference only.

2.3 TO-220AB package information

Figure 16: TO-220AB package outline

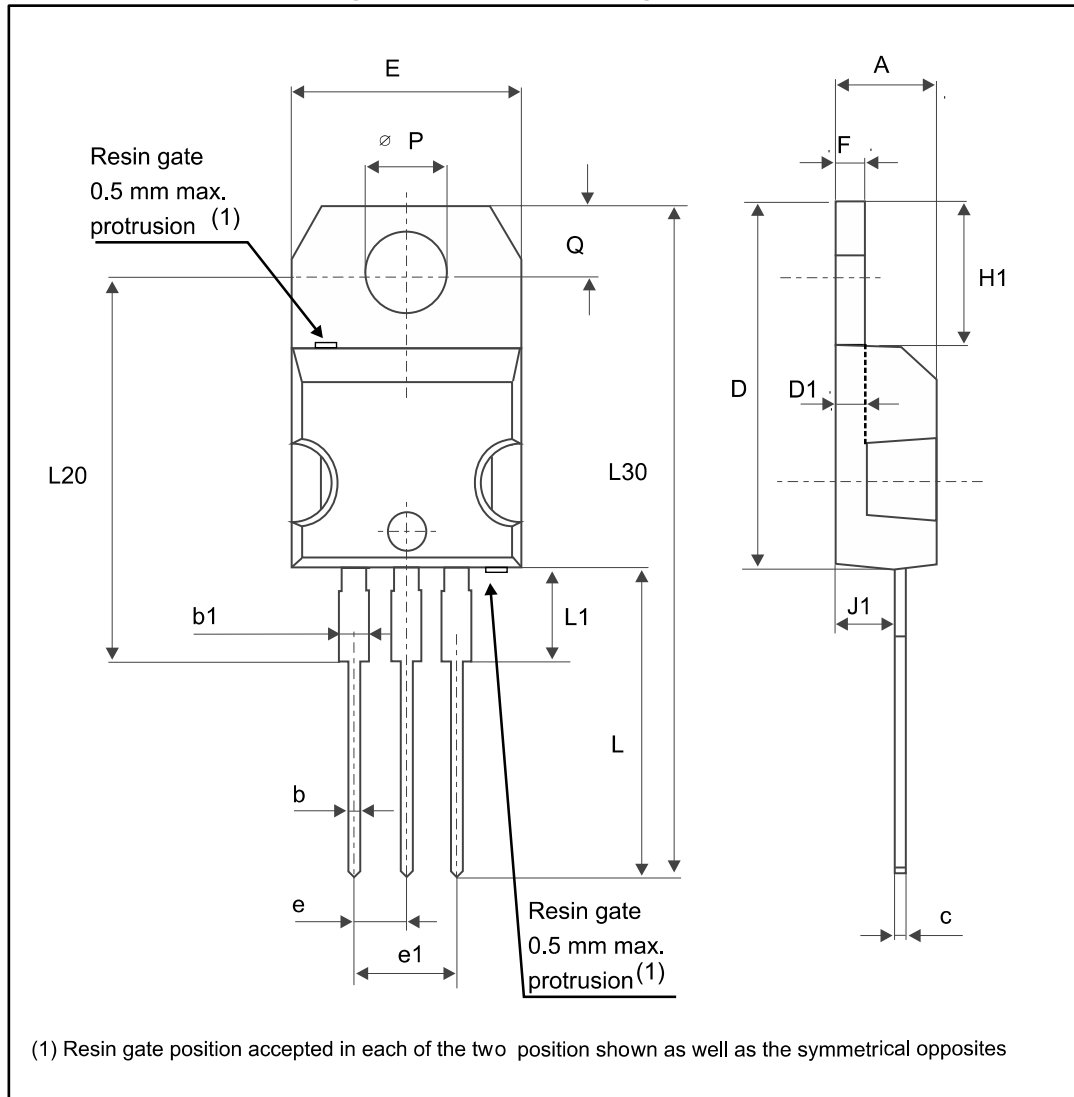


Table 8: TO-220AB package mechanical data

| Ref. | Dimensions | | | |
|------|-------------|-------|-----------------------|--------|
| | Millimeters | | Inches ⁽¹⁾ | |
| | Min. | Max. | Min. | Max. |
| A | 4.40 | 4.60 | 0.1732 | 0.1811 |
| b | 0.61 | 0.88 | 0.0240 | 0.0346 |
| b1 | 1.14 | 1.55 | 0.0449 | 0.0610 |
| c | 0.48 | 0.70 | 0.0189 | 0.0276 |
| D | 15.25 | 15.75 | 0.6004 | 0.6201 |
| D1 | 1.27 typ. | | 0.0500 typ. | |
| E | 10.00 | 10.40 | 0.3937 | 0.4094 |
| e | 2.40 | 2.70 | 0.0945 | 0.1063 |
| e1 | 4.95 | 5.15 | 0.1949 | 0.2028 |
| F | 1.23 | 1.32 | 0.0484 | 0.0520 |
| H1 | 6.20 | 6.60 | 0.2441 | 0.2598 |
| J1 | 2.40 | 2.72 | 0.0945 | 0.1071 |
| L | 13.00 | 14.00 | 0.5118 | 0.5512 |
| L1 | 3.50 | 3.93 | 0.1378 | 0.1547 |
| L20 | 16.40 typ. | | 0.6457 typ. | |
| L30 | 28.90 typ. | | 1.1378 typ. | |
| ØP | 3.75 | 3.85 | 0.1476 | 0.1516 |
| Q | 2.65 | 2.95 | 0.1043 | 0.1161 |

Notes:

⁽¹⁾Inch dimensions are for reference only.

3 Ordering information

Figure 17: Ordering information scheme

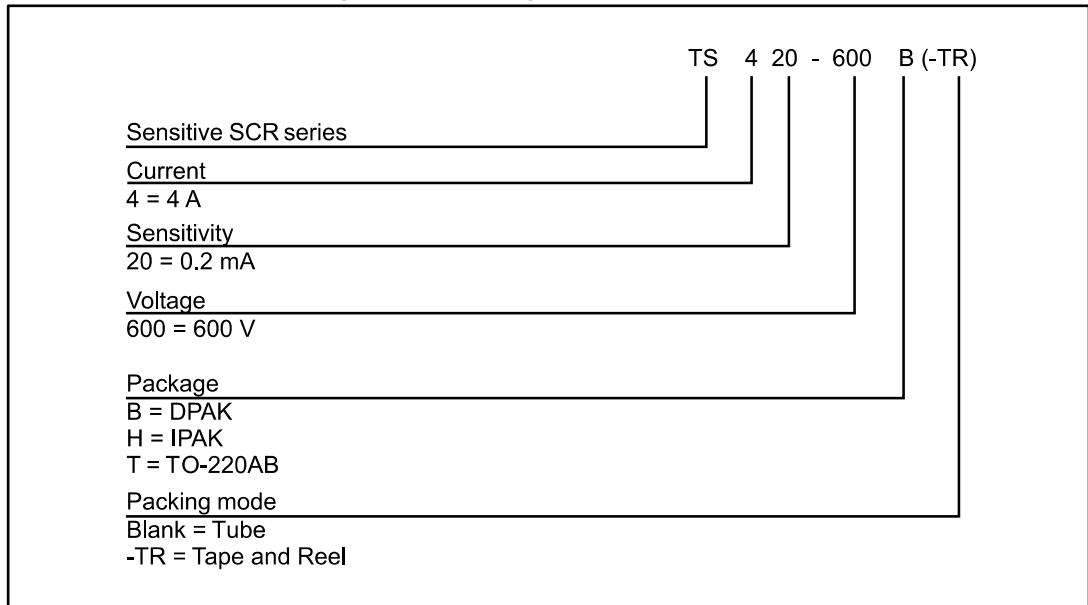


Table 9: Ordering information

| Order code | Marking | Package | Weight | Base qty. | Delivery mode |
|---------------|-----------|----------|--------|-----------|---------------|
| TS420-600B | TS420600 | DPAK | 0.3 g | 75 | Tube |
| TS420-600B-TR | TS420600 | | | 2500 | Tape and reel |
| TS420-600H | TS420600 | IPAK | 0.4 g | 75 | Tube |
| TS420-600T | TS420600T | TO-220AB | 2.3 g | 50 | Tube |

4 Revision history

Table 10: Document revision history

| Date | Revision | Changes |
|-------------|----------|--|
| Sep-2000 | 3 | Previous release. |
| 26-Jan-2010 | 4 | Updated package illustration for TO-220AB on front page and Table 8. Added Table 5. |
| 28-May-2014 | 5 | Updated DPAK package information and reformatted to current standard. |
| 10-May-2016 | 6 | Updated cover page. Updated <i>Table 4: "Electrical characteristics (T_j = 25 °C unless otherwise specified)"</i> , <i>Figure 10: "Non-repetitive surge peak on-state current "</i> and <i>Table 9: "Ordering information"</i> . Complete update of Package information section. |
| 10-Oct-2017 | 7 | Updated DPAK and D ² PAK package information. |

IMPORTANT NOTICE – PLEASE READ CAREFULLY

STMicroelectronics NV and its subsidiaries ("ST") reserve the right to make changes, corrections, enhancements, modifications, and improvements to ST products and/or to this document at any time without notice. Purchasers should obtain the latest relevant information on ST products before placing orders. ST products are sold pursuant to ST's terms and conditions of sale in place at the time of order acknowledgement.

Purchasers are solely responsible for the choice, selection, and use of ST products and ST assumes no liability for application assistance or the design of Purchasers' products.

No license, express or implied, to any intellectual property right is granted by ST herein.

Resale of ST products with provisions different from the information set forth herein shall void any warranty granted by ST for such product.

ST and the ST logo are trademarks of ST. All other product or service names are the property of their respective owners.

Information in this document supersedes and replaces information previously supplied in any prior versions of this document.

© 2017 STMicroelectronics – All rights reserved

Mouser Electronics

Authorized Distributor

Click to View Pricing, Inventory, Delivery & Lifecycle Information:

[STMicroelectronics:](#)

[TS420-600B](#) [TS420-600T](#) [TS420-600H](#) [TS420-600B-TR](#) [TS420-700T](#)