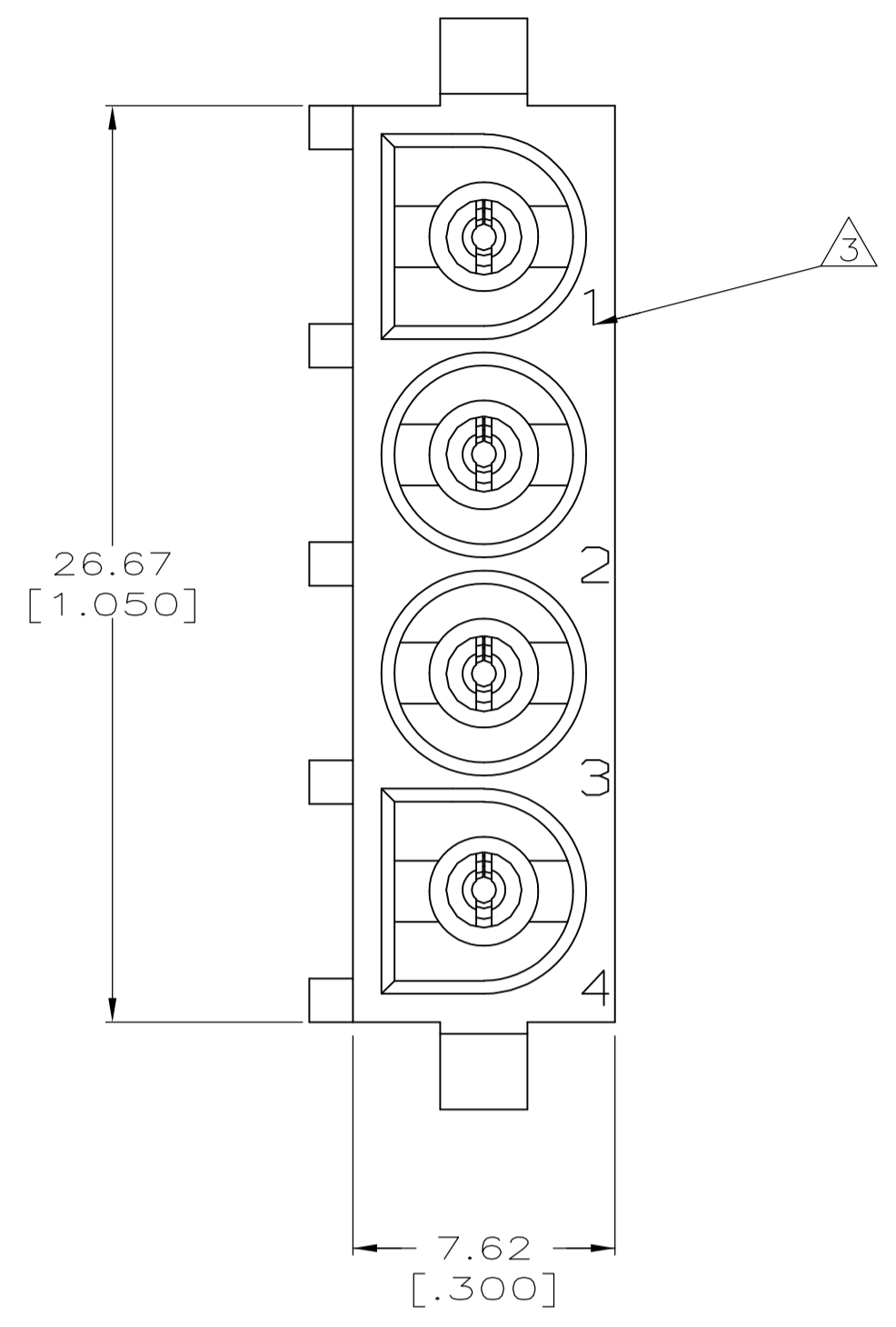
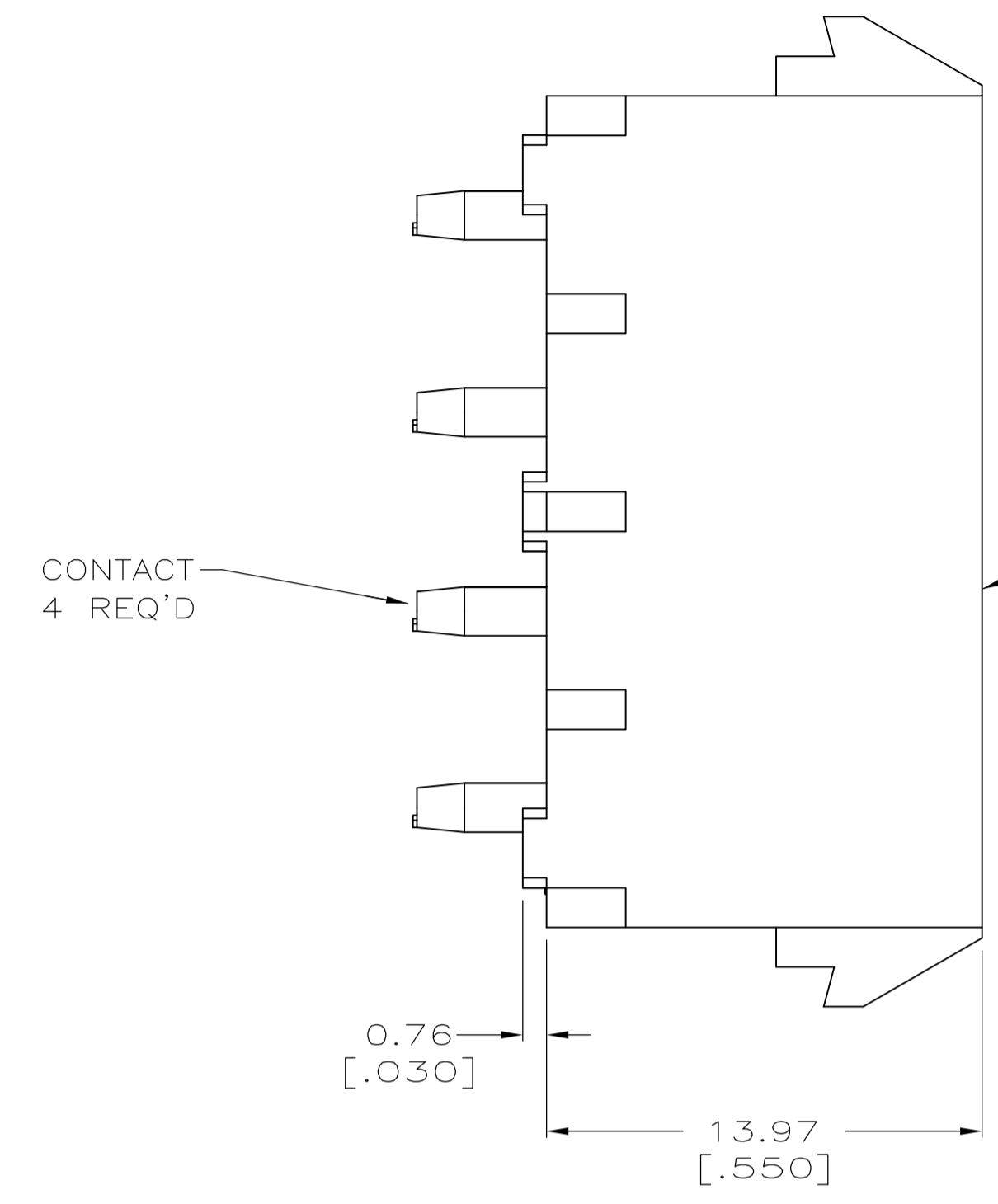
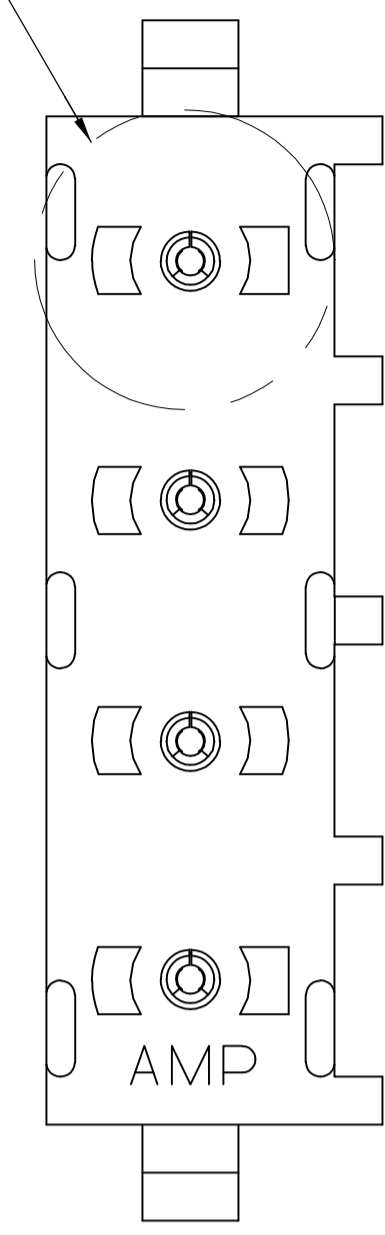
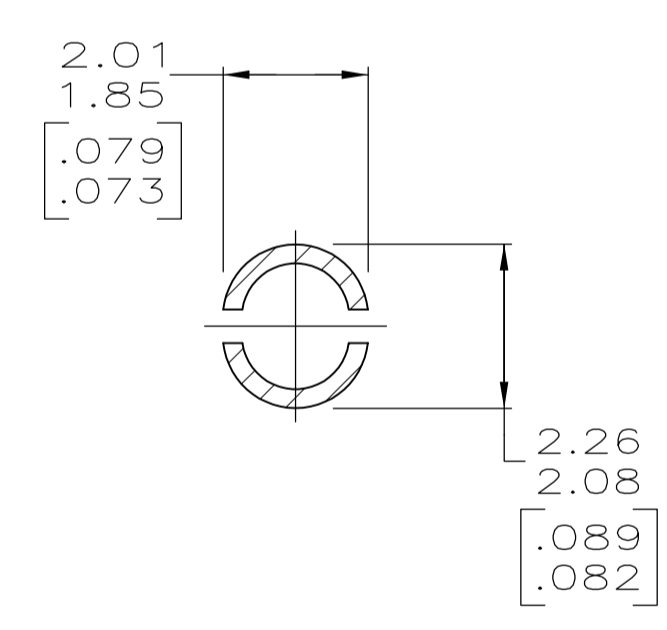
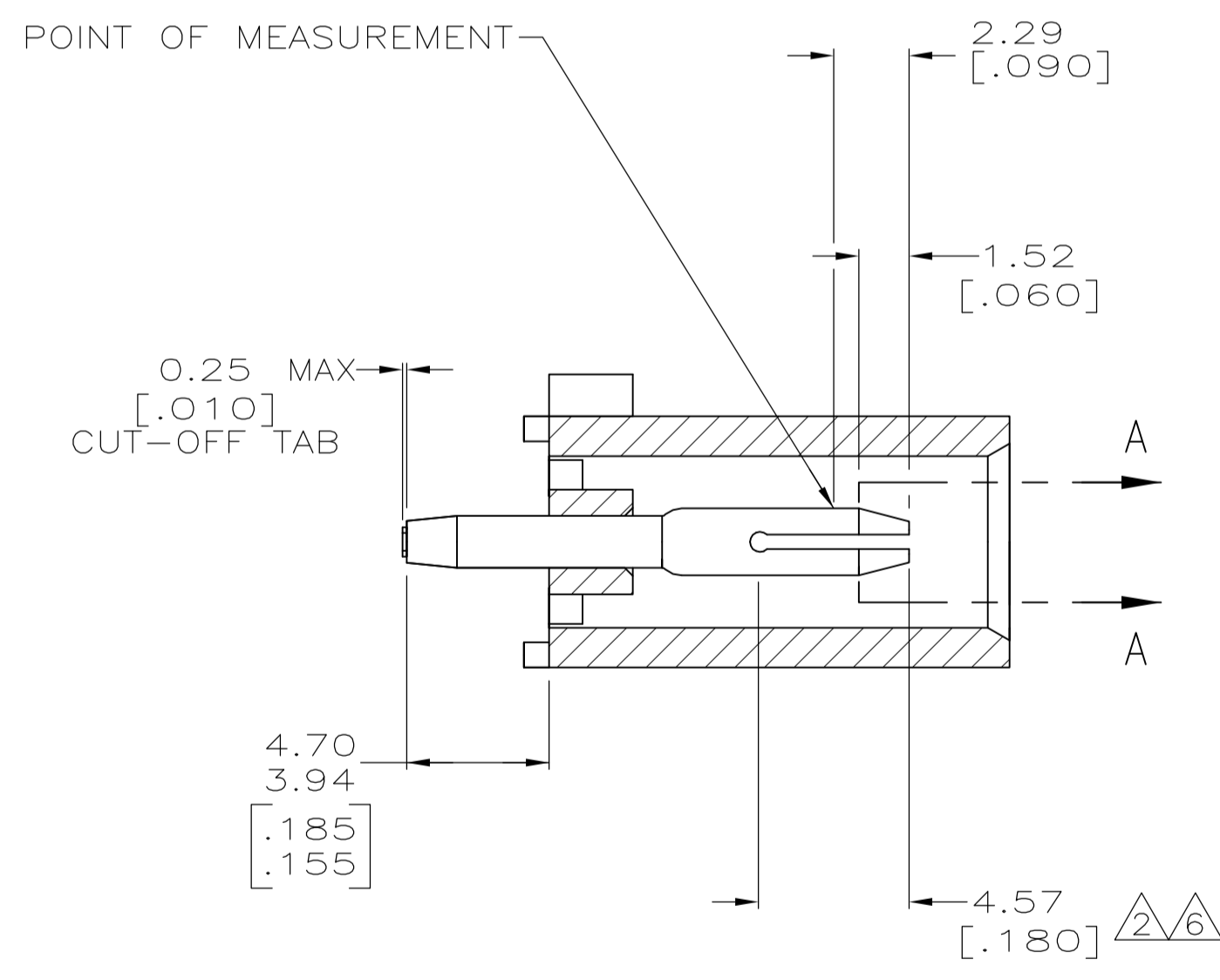


| LOC | | DIST | | REVISIONS | | | |
|-----|-----|---------------------------|---------|-----------|------|--|--|
| P | LTR | DESCRIPTION | DATE | DNW | APVD | | |
| Y2 | | REVISED PER ECR-12-011660 | 24JAN13 | KH | TM | | |

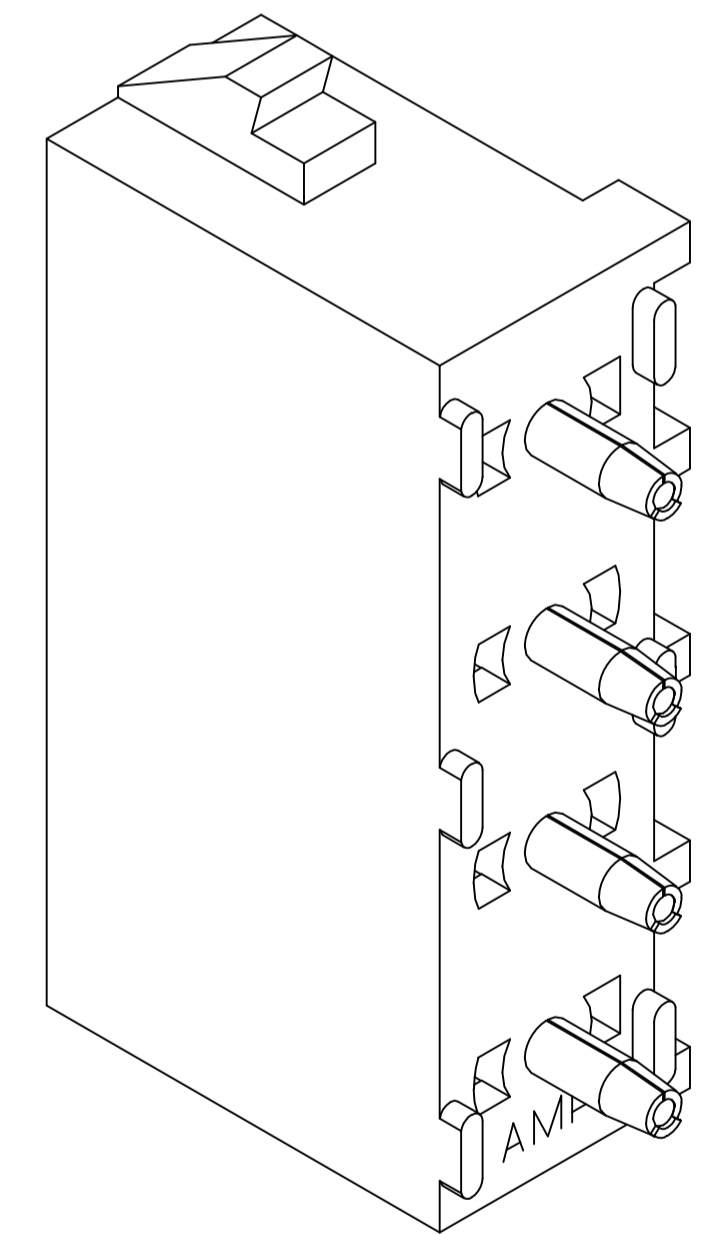
SEE DETAIL A



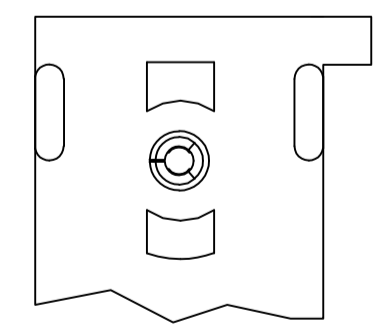
- 1 PARTS COMPLY TO AMP SOLDERABILITY SPECIFICATION 109-11-3.
- 2 CONTACT IS PLATED OVERALL WITH 0.00127 [.000050] NICKEL, THEN 0.00076 [.000030] GOLD OVER CONTACT LENGTH INDICATED AND MATTE TIN LEAD ON SOLDER TAIL END.
- 3 CIRCUIT IDENTIFICATION CHARACTERS ARE ADJACENT TO THE INDICATED CAVITIES, BUT LOCATION AND ORIENTATION MAY DIFFER FROM PRINT.
- 4 DIMENSIONS IN BRACKETS ARE IN INCHES.
- 5 DRAIN HOLES LOCATED AS SHOWN. OPTIONAL CONSTRUCTION - ALL DRAIN HOLES LOCATED 90° AS SHOWN IN DETAIL A.
- 6 CONTACT IS PLATED OVERALL WITH 0.00127 [.000050] NICKEL, THEN 0.00076 [.000030] GOLD OVER CONTACT LENGTH INDICATED AND MATTE TIN ON SOLDER TAIL END.
- 7 SUPERSEDED BY 350430-4



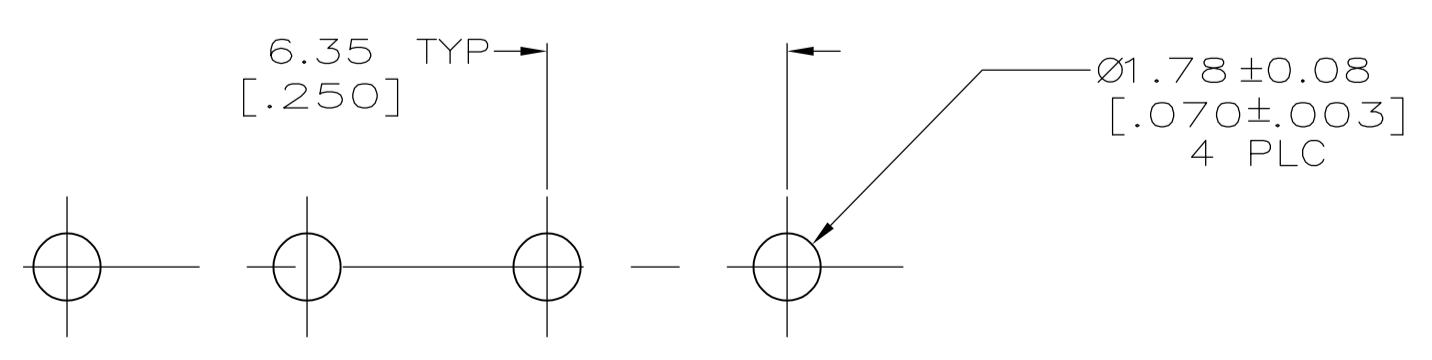
SECTION A-A
SCALE 10:1



3-DIMENSIONAL MODEL
NTS



DETAIL A
OPTIONAL CONSTRUCTION
5



RECOMMENDED MOUNTING HOLE PATTERN
FOR 1.57 [.062] THICK P.C. BOARD

| MATERIAL | FINISH | HOUSING MATERIAL | PART NUMBER |
|--------------------------|--------|------------------------|-------------|
| PHOSPHOR BRONZE, GOLD | 6 | NYLON, UL94V-2,NATURAL | 350430-4 |
| PHOSPHOR BRONZE, GOLD | 2 | NYLON, UL94V-2,NATURAL | 350430-2 |
| PHOSPHOR BRONZE, PRE-TIN | | NYLON, UL94V-2,NATURAL | 350430-1 |

| | | | | |
|--|------------------|------------------|--|--|
| THIS DRAWING IS A CONTROLLED DOCUMENT. | | DIN 8-25-98 | TE Connectivity | |
| DIMENSIONS: mm [INCHES] | | 8-25-98 | PIN HEADER ASSEMBLY, 4 CIRCUIT UNIVERSAL MATE-N-LOK™ | |
| TOLERANCES UNLESS OTHERWISE SPECIFIED: | | 8-25-98 | SIZE CAGE CODE DRAWING NO. RESTRICTED TO | |
| 0 PLC ± - | 1 PLC ± - | NAME | A1 00779 C=350430 | |
| 2 PLC ± 0.13 [.005] | 3 PLC ± - | APPLICATION SPEC | SCALE 5:1 SHEET 1 OF 1 REV Y2 | |
| 4 PLC ± - | ANGLES ± ± 0°30' | WEIGHT | CUSTOMER DRAWING | |

Mouser Electronics

Authorized Distributor

Click to View Pricing, Inventory, Delivery & Lifecycle Information:

[TE Connectivity:](#)

[350430-1](#)