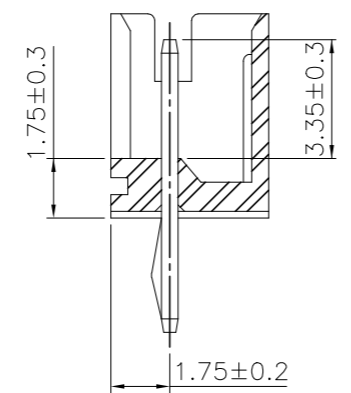
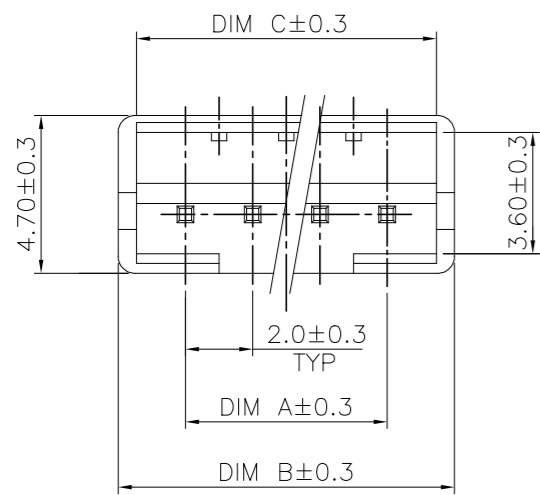
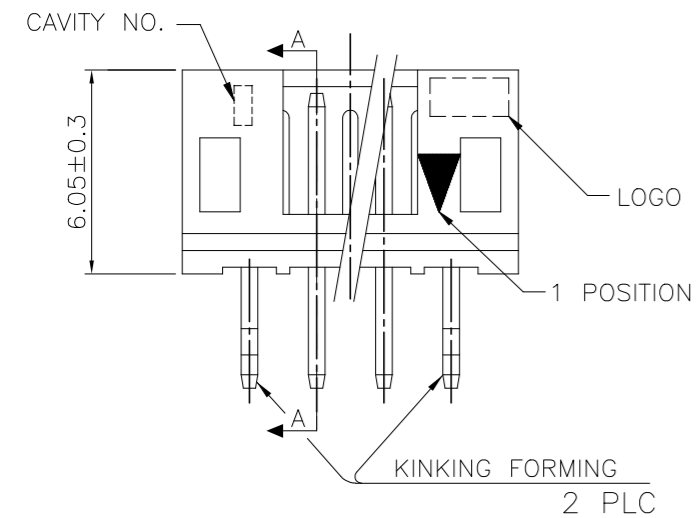
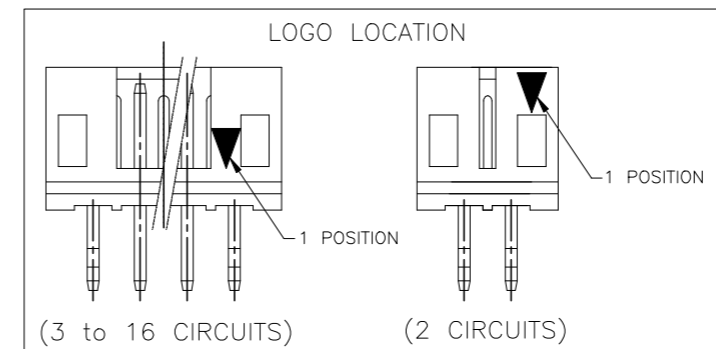
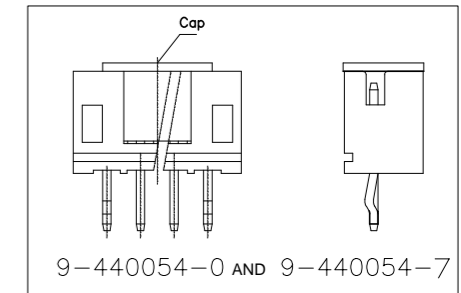


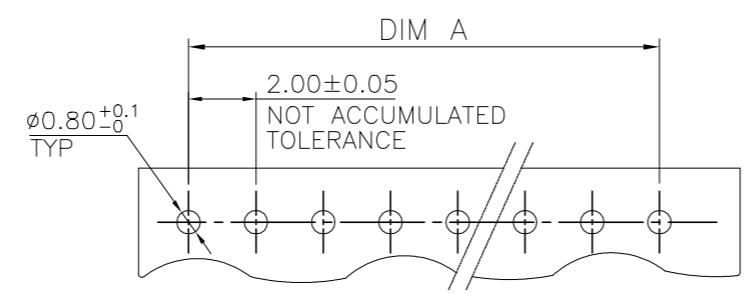
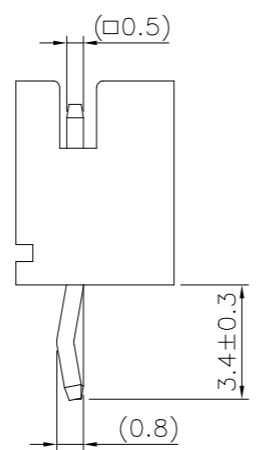
LOC DW	DIST	REVISIONS		
P	LTR	DESCRIPTION	DATE	DWN APVD
	F5	ECR-19-004884	27MAR19	T.Q W.H



- NOTES:  
 1. MATERIAL:  
 HOUSING: NYLON 66, UL94V-0, COLOR: SEE TABLE.  
 CONTACT: BRASS, THICKNESS=0.50mm.  
 2. FINISH:  
 2.03um[80u"] MIN. BRIGHT-TIN PLATING ON CONTACT.  
 1.27um[50u"] MIN. NICKEL ENTIRE CONTACT UNDERPLATED.  
 3. WAVE SOLDER CAPABLE TO 265°C PER TEST SPEC.  
 109-202, CONDITION B.  
 4. RAISED TYPE PN: 9-440054-2



SEC. A-A



RECOMMENDED PCB LAYOUT  
 (PCB THK=1.0~1.6)

OBSOLETE	RED	10.90	12.00	8.00	5P	8-440054-9
		8.90	10.00	6.00	4P	8-440054-8
OBSOLETE	BLACK	6.90	8.00	4.00	3P	8-440054-7
		4.90	6.00	2.00	2P	8-440054-6
OBSOLETE	YELLOW	10.90	12.00	8.00	5P	6-440054-9
		8.90	10.00	6.00	4P	6-440054-8
OBSOLETE	BLUE	6.90	8.00	4.00	3P	6-440054-7
		4.90	6.00	2.00	2P	6-440054-6
OBSOLETE	NATURAL WHITE	10.90	12.00	8.00	5P	2-440054-9
		8.90	10.00	6.00	4P	2-440054-8
OBSOLETE	TUBE	6.90	8.00	4.00	3P	2-440054-7
		4.90	6.00	2.00	2P	2-440054-6
OBSOLETE	POLY BAG	32.90	34.00	30.00	16P	5-440054-6
		30.90	32.00	28.00	15P	5-440054-5
OBSOLETE	POLY BAG	28.90	30.00	26.00	14P	5-440054-4
		26.90	28.00	24.00	13P	5-440054-3
OBSOLETE	POLY BAG	24.90	26.00	22.00	12P	5-440054-2
		22.90	24.00	20.00	11P	5-440054-1
OBSOLETE	POLY BAG	20.90	22.00	18.00	10P	5-440054-0
		18.90	20.00	16.00	9P	3-440054-9
OBSOLETE	POLY BAG	16.90	18.00	14.00	8P	3-440054-8
		14.90	16.00	12.00	7P	3-440054-7
OBSOLETE	POLY BAG	12.90	14.00	10.00	6P	3-440054-6
		10.90	12.00	8.00	5P	3-440054-5
OBSOLETE	POLY BAG	8.90	10.00	6.00	4P	3-440054-4
		6.90	8.00	4.00	3P	3-440054-3
OBSOLETE	POLY BAG	4.90	6.00	2.00	2P	3-440054-2
		2.90	4.00	2.00	2P	3-440054-1

TAPE REEL	NATURAL WHITE	14.90	16.00	12.00	7P	9-440054-7
		22.90	24.00	20.00	11P	9-440054-3
TAPE REEL	GREEN	10.90	12.00	8.00	5P	9-440054-6
		18.90	20.00	16.00	9P	2-440054-1
TAPE REEL	BLUE	16.90	18.00	14.00	8P	2-440054-0
		16.90	18.00	14.00	8P	8-440054-0
TAPE REEL	RED	10.90	12.00	8.00	5P	8-440054-5
		8.90	10.00	6.00	4P	8-440054-4
TAPE REEL	BLACK	6.90	8.00	4.00	3P	8-440054-3
		4.90	6.00	2.00	2P	8-440054-2
TAPE REEL	YELLOW	10.90	12.00	8.00	5P	6-440054-5
		8.90	10.00	6.00	4P	6-440054-4
TAPE REEL	BLUE	6.90	8.00	4.00	3P	6-440054-3
		4.90	6.00	2.00	2P	6-440054-2
TAPE REEL	NATURAL WHITE	20.90	22.00	18.00	10P	9-440054-0
		32.90	34.00	30.00	16P	1-440054-6
TAPE REEL	NATURAL WHITE	30.90	32.00	28.00	15P	1-440054-5
		28.90	30.00	26.00	14P	1-440054-4
TAPE REEL	NATURAL WHITE	26.90	28.00	24.00	13P	1-440054-3
		24.90	26.00	22.00	12P	1-440054-2
TAPE REEL	NATURAL WHITE	22.90	24.00	20.00	11P	1-440054-1
		20.90	22.00	18.00	10P	1-440054-0
TAPE REEL	NATURAL WHITE	18.90	20.00	16.00	9P	440054-9
		16.90	18.00	14.00	8P	440054-8
TAPE REEL	NATURAL WHITE	14.90	16.00	12.00	7P	440054-7
		12.90	14.00	10.00	6P	440054-6
TAPE REEL	NATURAL WHITE	10.90	12.00	8.00	5P	440054-5
		8.90	10.00	6.00	4P	440054-4
TAPE REEL	NATURAL WHITE	6.90	8.00	4.00	3P	440054-3
		4.90	6.00	2.00	2P	440054-2

THIS DRAWING IS A CONTROLLED DOCUMENT.

DWN O. HU 16JUL2004	TE Connectivity
CHK S. HOU 16JUL2004	
APVD W.J. KE 16JUL2004	NAME
PRODUCT SPEC 108-57100	2.0 MM PITCH HPI VERTICAL POST HEADERS
APPLICATION SPEC	RESTRICTED TO
WEIGHT - GRAMS	SIZE CAGE CODE DRAWING NO A3 00779 C=440054
CUSTOMER DRAWING	SCALE SHEET 1 OF 9 REV F5

4

3

2

1

THIS DRAWING IS UNPUBLISHED.

RELEASED FOR PUBLICATION

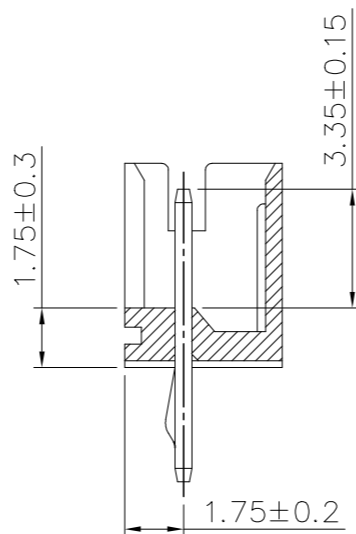
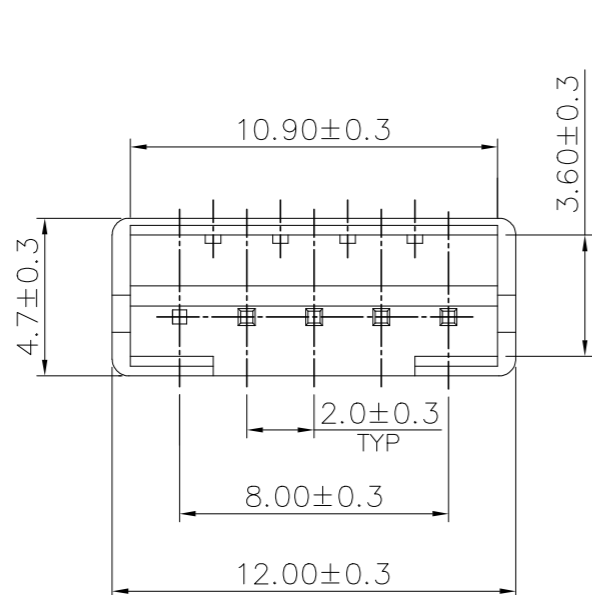
AUG ,2006.

© COPYRIGHT 2009 BY TYCO ELECTRONICS CORPORATION. ALL RIGHTS RESERVED.

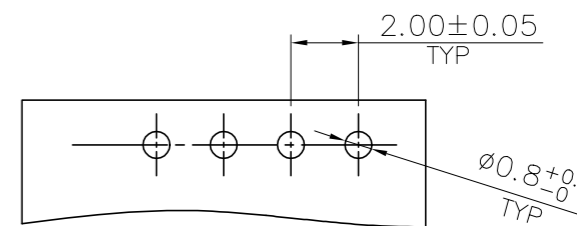
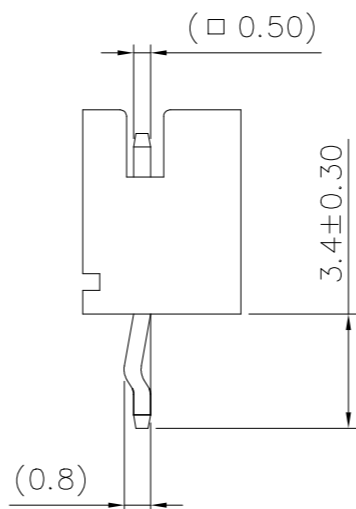
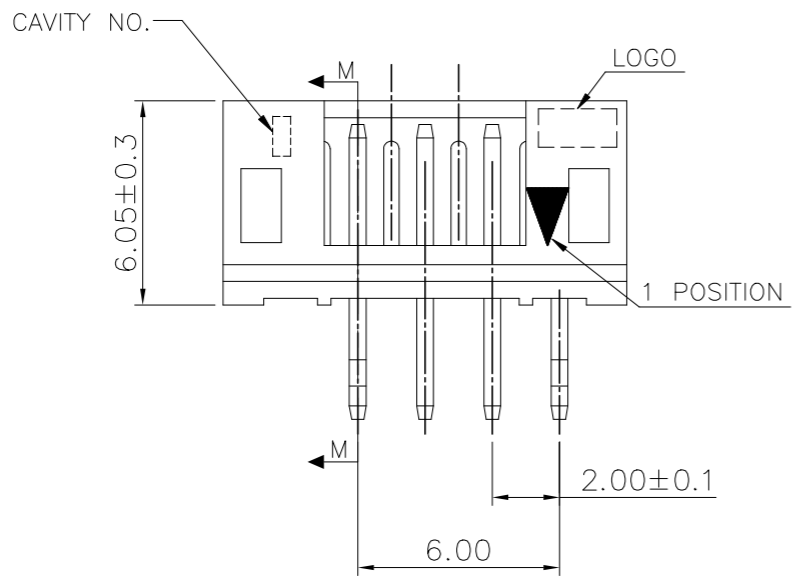
LOC DW DIST

REVISIONS

P	LTR	DESCRIPTION	DATE	DWN	APVD
		SEE SHEET 1.			



SECTION M-M



RECOMMENDED PCB LAYOUT  
(PCB THK=1.0~1.6mm)

POLY BAG	NATURAL WHITE	PIN 5	4P	9-440054-5
PACKAGE	COLOR	PIN NUMBER LACKED	POS.	PART NUMBER

THIS DRAWING IS A CONTROLLED DOCUMENT.

DIMENSIONS: MM	TOLERANCES UNLESS OTHERWISE SPECIFIED:
	0 PLC ± -
	1 PLC ± 0.3
	2 PLC ± 0.2
	3 PLC ± 0.15
	4 PLC ± -
	ANGLES ± 3'
MATERIAL SEE NOTE (PAGE 1.)	FINISH SEE NOTE (PAGE 1.)

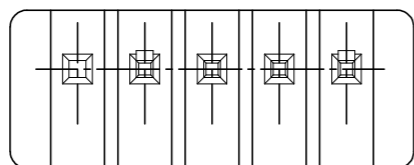
DWN
CHK
APVD
PRODUCT SPEC
APPLICATION SPEC
WEIGHT
CUSTOMER DRAWING

**STE** TE Connectivity

NAME  
2.0 MM PITCH HPI VERTICAL POST HEADERS

SIZE	CAGE CODE	DRAWING NO	RESTRICTED TO
A3	00779	C=440054	

SCALE - SHEET 2 OF 9 REV F5



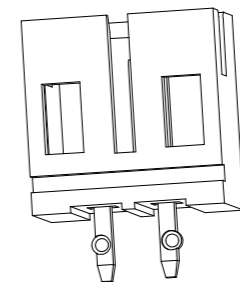
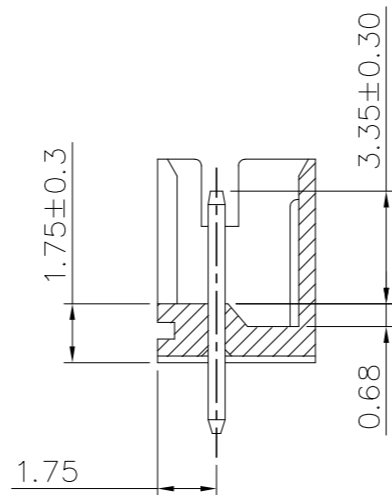
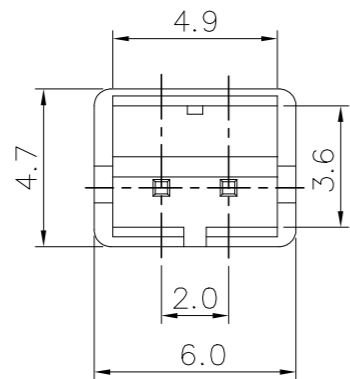
THIS DRAWING IS UNPUBLISHED. RELEASED FOR PUBLICATION AUG ,2006.

© COPYRIGHT 2009 BY TYCO ELECTRONICS CORPORATION. ALL RIGHTS RESERVED.

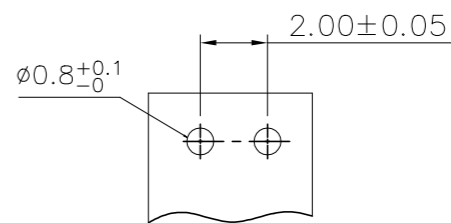
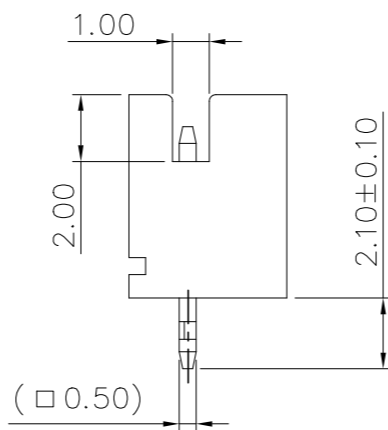
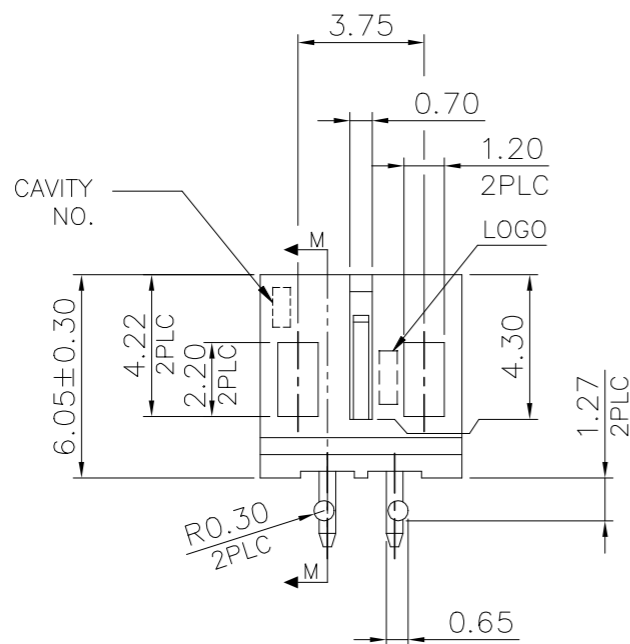
LOC DW DIST

REVISIONS

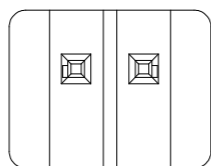
P	LTR	DESCRIPTION	DATE	DWN	APVD
		SEE SHEET 1.			



SECTION M-M



RECOMMENDED PCB LAYOUT (PCB THK=1.0MM~1.6MM)

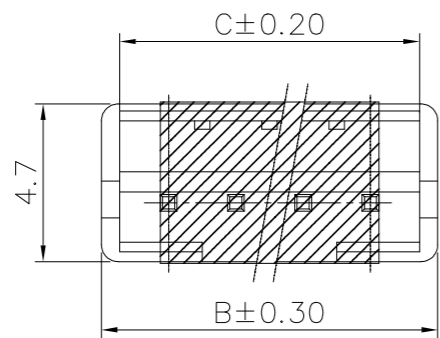


POLY BAG	NATURAL WHITE	2P	9-440054-2
PACKAGE	COLOR	POS.	PART NUMBER

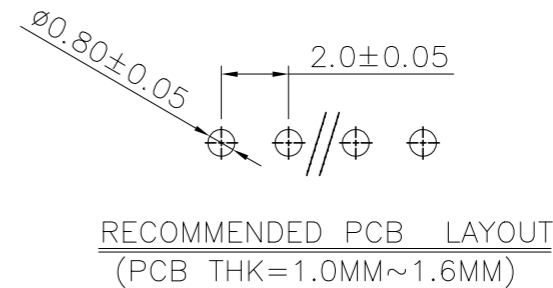
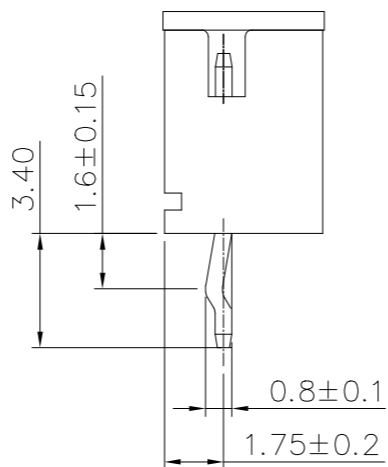
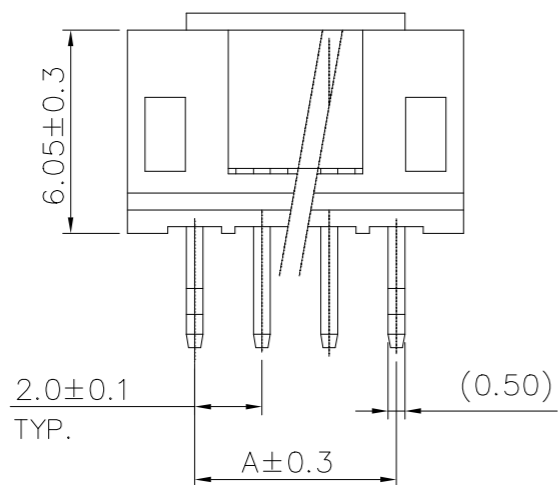
THIS DRAWING IS A CONTROLLED DOCUMENT.		DWN	<b>STE</b> TE Connectivity	
DIMENSIONS: MM		CHK		
TOLERANCES UNLESS OTHERWISE SPECIFIED:		APVD	NAME	
0 PLC ± -		PRODUCT SPEC	2.0 MM PITCH HPI VERTICAL POST HEADERS	
1 PLC ± 0.3		APPLICATION SPEC	SIZE	CAGE CODE
2 PLC ± 0.2		WEIGHT	A3	00779
3 PLC ± 0.15		CUSTOMER DRAWING	DRAWING NO. C=440054	
4 PLC ± -		SCALE	RESTRICTED TO	
ANGLES ± 3'		SHEET	REV F5	
MATERIAL	FINISH	3 OF 9		
SEE NOTE (PAGE 1.)	SEE NOTE (PAGE 1.)			

THIS DRAWING IS UNPUBLISHED. RELEASED FOR PUBLICATION AUG ,2006.  
 © COPYRIGHT 2009 BY TYCO ELECTRONICS CORPORATION. ALL RIGHTS RESERVED.

LOC	DIST	REVISIONS			
P	LTR	DESCRIPTION	DATE	DWN	APVD
		SEE SHEET 1.			



- NOTES:
- MATERIAL:  
HOUSING: NYLON 6T, UL94V-0, COLOR: SEE TABLE.  
CONTACT: BRASS, THICKNESS=0.50mm.
  - FINISH:  
2.03um[80u"] MIN. BRIGHT-TIN PLATING ON CONTACT.  
1.27um[50u"] MIN. NICKEL ENTIRE CONTACT UNDERPLATED.
  - (SMT) REFLOW PROCESS NEED AFFORD 260°C.



WITHOUT	TAPE REEL	NATURAL WHITE	8.90	10.00	6.00	4P	9-440054-1
WITH	TAPE REEL	NATURAL WHITE	8.90	10.00	6.00	4P	9-440054-4
CAP	PACKAGE	COLOR	DIM C	DIM B	DIM A	POS	PART NUMBER

THIS DRAWING IS A CONTROLLED DOCUMENT.		DWN	<b>STE</b> TE Connectivity			
DIMENSIONS: MM		CHK				
TOLERANCES UNLESS OTHERWISE SPECIFIED:		APVD	NAME			
0 PLC ± -		PRODUCT SPEC	2.0 MM PITCH HPI VERTICAL POST HEADERS			
1 PLC ± 0.3		APPLICATION SPEC	SIZE	CAGE CODE	DRAWING NO	RESTRICTED TO
2 PLC ± 0.2		WEIGHT	A3	00779	C=440054	
3 PLC ± 0.15		CUSTOMER DRAWING	SCALE	SHEET	REV	
4 PLC ± -			-	4 OF 9	F5	
ANGLES ± 3'						
MATERIAL	FINISH					
SEE NOTE (PAGE 1.)	SEE NOTE (PAGE 1.)					

THIS DRAWING IS UNPUBLISHED.

RELEASED FOR PUBLICATION

AUG ,2006.

© COPYRIGHT 2009 BY TYCO ELECTRONICS CORPORATION. ALL RIGHTS RESERVED.

LOC

DIST

REVISIONS

DW

P

LTR

DESCRIPTION

DATE

DWN

APVD

SEE SHEET 1.

POLY BAG

CARTON

340mm(L)X 470mm(W)X 178mm(H)  
(FOR HEADER 2P~5P ONLY)

340mm(L)X 470mm(W)X 365mm(H)  
(FOR HEADER 6P~16P ONLY)

INEER BOX

320mm(L)X 220mm(W)X 155mm(H)

18,000	250	11P	9-440054-3
22,400	350	8P	2-440054-0
22,400	350	8P	8-440054-0
17,600	550	4P	9-440054-5
40,000	1,000	2P	9-440054-2
<del>17,600</del>	<del>550</del>	<del>5P</del>	<del>8-440054-5</del>
20,800	650	4P	8-440054-4
<del>27,000</del>	<del>750</del>	<del>3P</del>	<del>8-440054-3</del>
<del>40,000</del>	<del>1,000</del>	<del>2P</del>	<del>8-440054-2</del>
17,600	550	5P	6-440054-5
20,800	650	4P	6-440054-4
27,000	750	3P	6-440054-3
40,000	1,000	2P	6-440054-2
16,000	250	12P	7-440054-6
18,000	250	11P	7-440054-5
19,200	300	10P	7-440054-4
22,400	350	9P	7-440054-3
22,400	350	8P	7-440054-2
25,600	400	7P	7-440054-1
28,800	450	6P	7-440054-0
17,600	550	5P	4-440054-5
20,800	650	4P	4-440054-4
27,000	750	3P	4-440054-3
40,000	1,000	2P	4-440054-2
17,600	550	5P	2-440054-5
20,800	650	4P	2-440054-4
27,000	750	3P	2-440054-3
40,000	1,000	2P	2-440054-2
12,000	200	16P	1-440054-6
12,000	200	15P	1-440054-5
12,800	200	14P	1-440054-4
15,000	250	13P	1-440054-3
16,000	250	12P	1-440054-2
18,000	250	11P	1-440054-1
19,200	300	10P	1-440054-0
22,400	350	9P	440054-9
22,400	350	8P	440054-8
25,600	400	7P	440054-7
28,800	450	6P	440054-6
17,600	550	5P	440054-5
20,800	650	4P	440054-4
27,000	750	3P	440054-3
40,000	1,000	2P	440054-2
APQ	PPQ	POS.	PART NUMBER
(PCS/CARTON)	(PCS/BAG)		

THIS DRAWING IS A CONTROLLED DOCUMENT.		DWN	<b>STE</b> TE Connectivity	
		CHK		
DIMENSIONS: MM		APVD	NAME	
TOLERANCES UNLESS OTHERWISE SPECIFIED:		PRODUCT SPEC	2.0 MM PITCH HPI VERTICAL POST HEADERS	
0 PLC ± -		APPLICATION SPEC	SIZE	CAGE CODE
1 PLC ± -			A3	00779
2 PLC ± -		WEIGHT	DRAWING NO	
3 PLC ± -			C=440054	
4 PLC ± -		CUSTOMER DRAWING	RESTRICTED TO	
ANGLES ± -			SCALE	SHEET
FINISH			-	5 of 9
				REV
				F5

4

3

2

1

THIS DRAWING IS UNPUBLISHED.

RELEASED FOR PUBLICATION

AUG ,2006.

© COPYRIGHT 2009 BY TYCO ELECTRONICS CORPORATION. ALL RIGHTS RESERVED.

LOC

DIST

REVISIONS

DW

P

LTR

DESCRIPTION

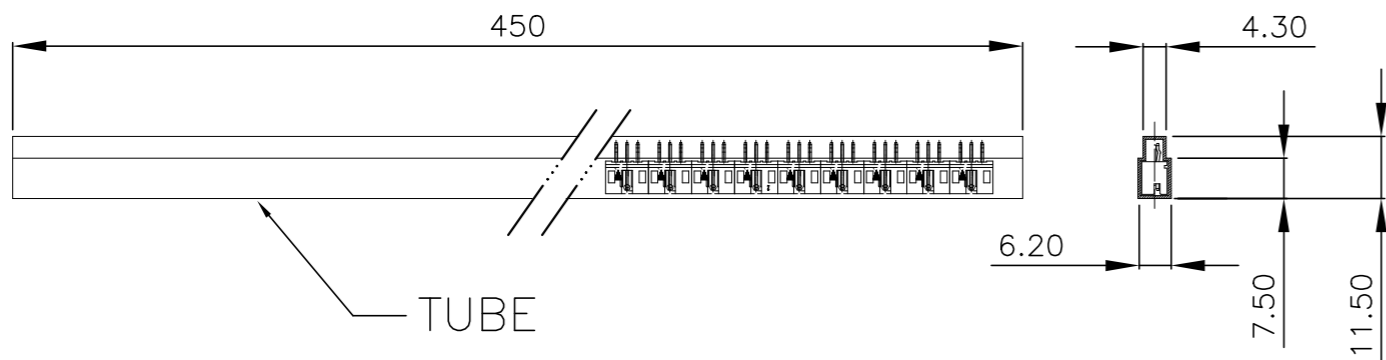
DATE

DWN

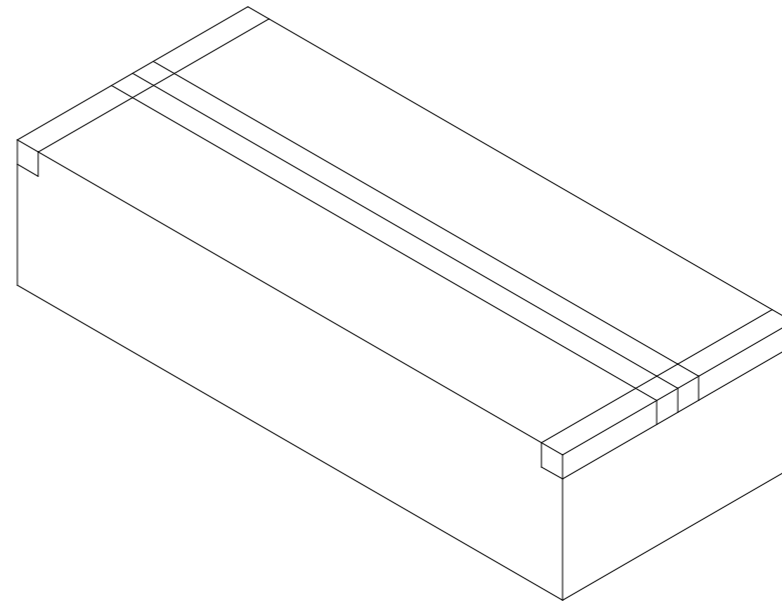
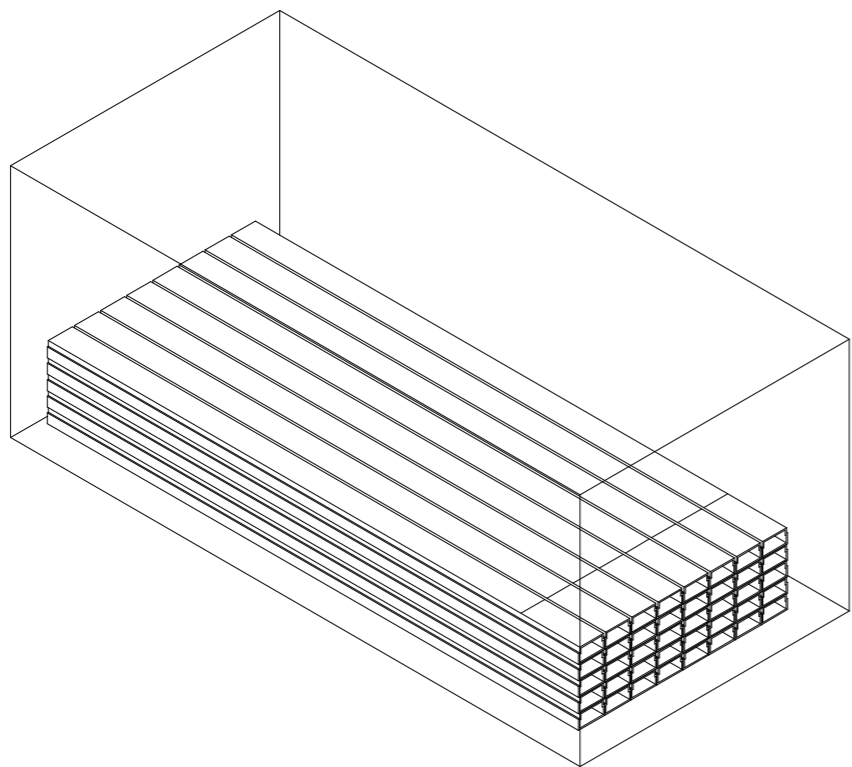
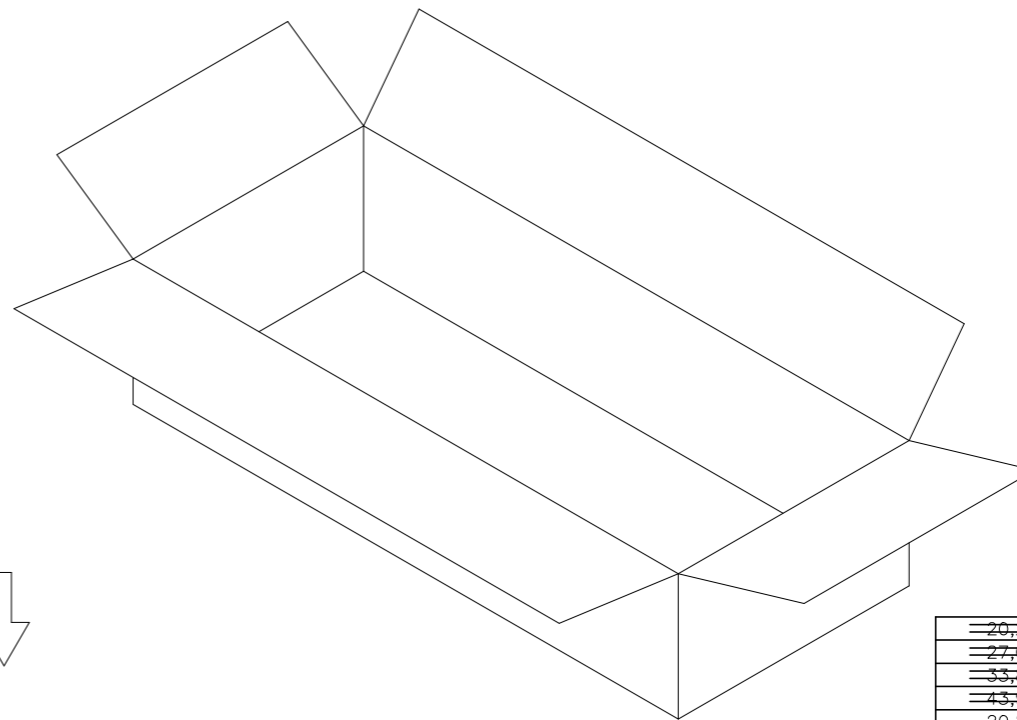
APVD

SEE SHEET 1.

CARTON  
470 mm(L)X 340mm(W)X 178mm(H)



TUBE



20,280	30	5P	8-440054-9
27,040	40	4P	8-440054-8
33,800	50	3P	8-440054-7
43,940	65	2P	8-440054-6
20,280	30	5P	6-440054-9
27,040	40	4P	6-440054-8
33,800	50	3P	6-440054-7
43,940	65	2P	6-440054-6
20,280	30	5P	4-440054-9
27,040	40	4P	4-440054-8
33,800	50	3P	4-440054-7
43,940	65	2P	4-440054-6
20,280	30	5P	2-440054-9
27,040	40	4P	2-440054-8
33,800	50	3P	2-440054-7
43,940	65	2P	2-440054-6
6,760	10	16P	5-440054-6
8,112	12	15P	5-440054-5
8,112	12	14P	5-440054-4
8,788	13	13P	5-440054-3
10,140	15	12P	5-440054-2
10,816	16	11P	5-440054-1
12,168	18	10P	5-440054-0
13,520	20	9P	3-440054-9
14,872	22	8P	3-440054-8
16,900	25	7P	3-440054-7
18,928	28	6P	3-440054-6
20,280	30	5P	3-440054-5
27,040	40	4P	3-440054-4
33,800	50	3P	3-440054-3
43,940	65	2P	3-440054-2
APQ	PPQ	POS.	PART NUMBER
(PCS/CARTON)	(PCS/TUBE)		

THIS DRAWING IS A CONTROLLED DOCUMENT.

DWN

CHK

APVD

PRODUCT SPEC

APPLICATION SPEC

WEIGHT

CUSTOMER DRAWING



TE Connectivity

NAME

2.0 MM PITCH HPI VERTICAL POST HEADERS

SIZE

CAGE CODE

DRAWING NO

RESTRICTED TO

A3

00779

C=440054

SCALE

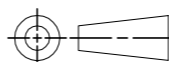
SHEET

6 of 9

REV F5

DIMENSIONS:

MM



TOLERANCES UNLESS OTHERWISE SPECIFIED:

0 PLC	± -
1 PLC	± -
2 PLC	± -
3 PLC	± -
4 PLC	± -
ANGLES	± -

MATERIAL

FINISH

4

3

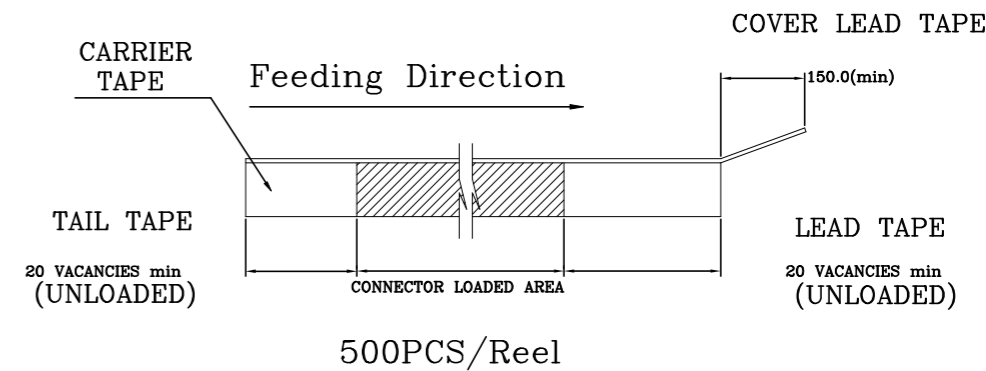
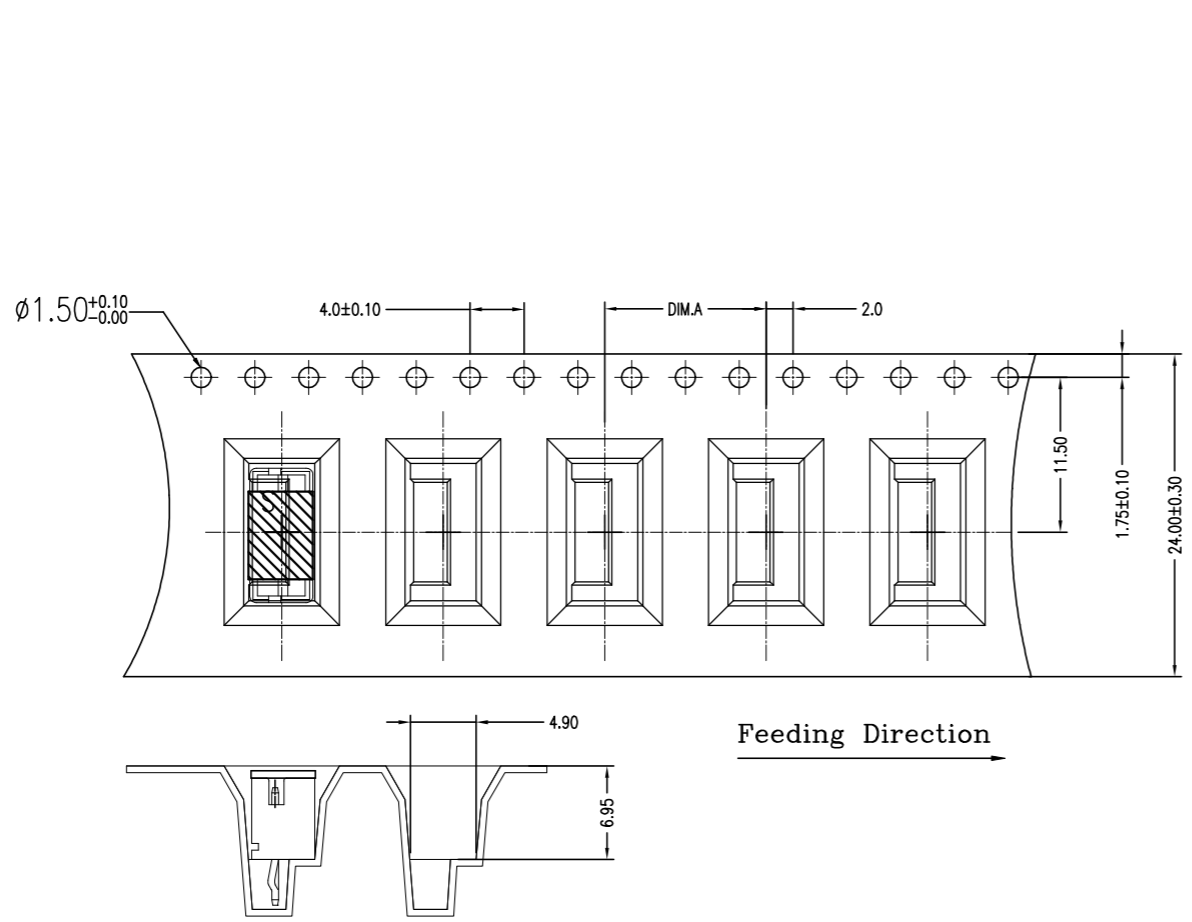
2

1

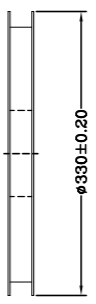
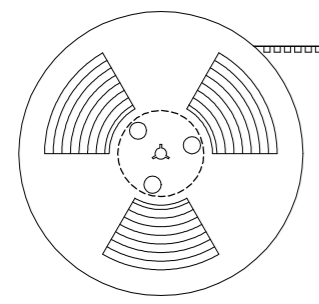
THIS DRAWING IS UNPUBLISHED. RELEASED FOR PUBLICATION AUG ,2006.

© COPYRIGHT 2009 BY TYCO ELECTRONICS CORPORATION. ALL RIGHTS RESERVED.

LOC		DIST		REVISIONS			
P	LTR	DESCRIPTION		DATE	DWN	APVD	
		SEE SHEET 1.					



Feeding Direction



12.0	WITH	2000	500	4P	9-440054-4
DIM.A	CAP	APQ (PCS/CARTON)	PPQ (PCS/REEL)	POS.	PART NUMBER

THIS DRAWING IS A CONTROLLED DOCUMENT.		DWN		<b>STE</b> TE Connectivity	
DIMENSIONS: MM		CHK			
TOLERANCES UNLESS OTHERWISE SPECIFIED:		APVD		NAME	
0 PLC ± -		PRODUCT SPEC		2.0 MM PITCH HPI VERTICAL POST HEADERS	
1 PLC ± -		APPLICATION SPEC		SIZE CAGE CODE DRAWING NO RESTRICTED TO	
2 PLC ± -		WEIGHT		A3 00779 C=440054	
3 PLC ± -		CUSTOMER DRAWING		SCALE SHEET 7 of 9 REV F5	
4 PLC ± -					
ANGLES ± -					
MATERIAL FINISH					

4

3

2

1

THIS DRAWING IS UNPUBLISHED.

RELEASED FOR PUBLICATION

AUG ,2006.

© COPYRIGHT 2009 BY TYCO ELECTRONICS CORPORATION.

ALL RIGHTS RESERVED.

LOC

DIST

REVISIONS

DW

P

LTR

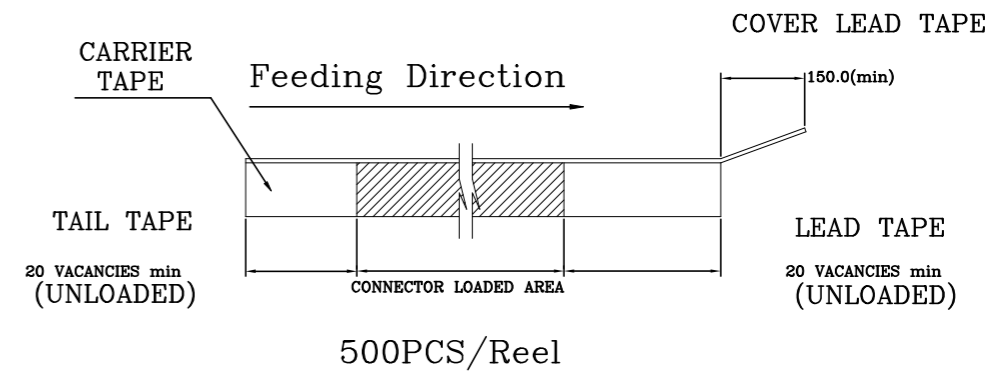
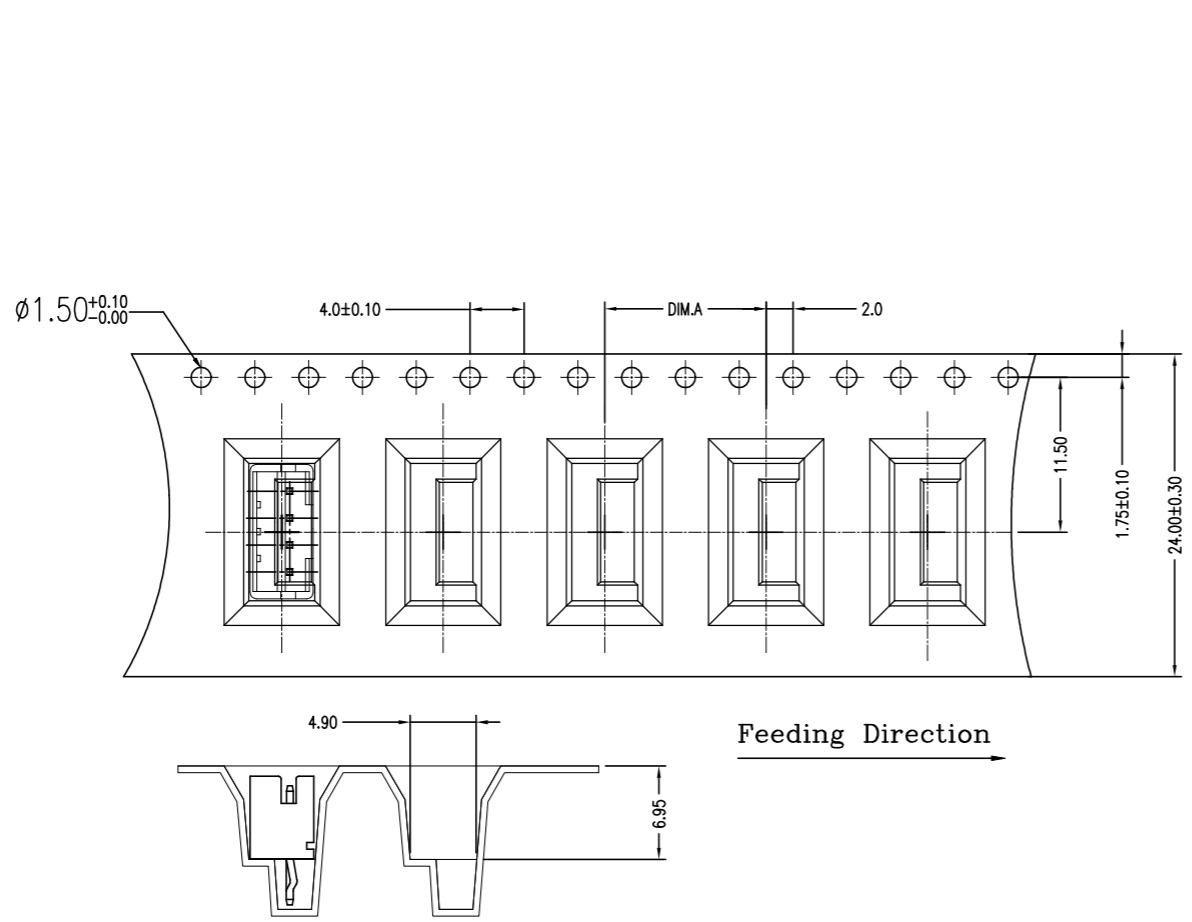
DESCRIPTION

DATE

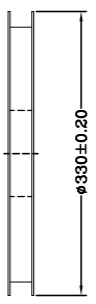
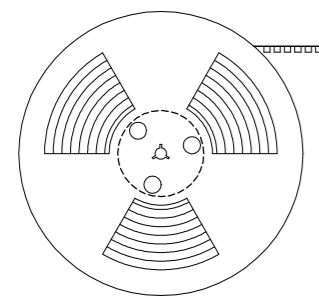
DWN

APVD

SEE SHEET 1.



Feeding Direction



16.0	WITHOUT	1800	450	4P	9-440054-1
DIM.A	CAP	APQ (PCS/CARTON)	PPQ (PCS/REEL)	POS.	PART NUMBER

THIS DRAWING IS A CONTROLLED DOCUMENT.		DWN		<b>STE</b> TE Connectivity	
DIMENSIONS: MM		CHK			
TOLERANCES UNLESS OTHERWISE SPECIFIED:		APVD		NAME	
0 PLC ± -		PRODUCT SPEC		2.0 MM PITCH HPI VERTICAL POST HEADERS	
1 PLC ± -		APPLICATION SPEC		SIZE CAGE CODE DRAWING NO RESTRICTED TO	
2 PLC ± -		WEIGHT		A3 00779 C=440054	
3 PLC ± -		CUSTOMER DRAWING		SCALE SHEET 8 of 9 REV F5	
4 PLC ± -					
ANGLES ± -					
MATERIAL		FINISH			



4

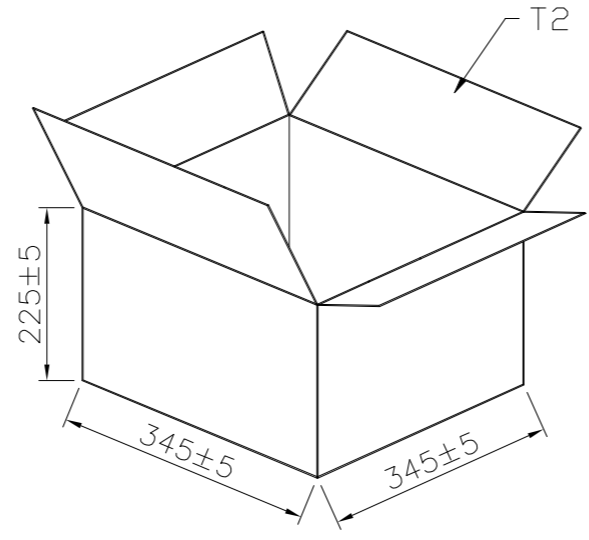
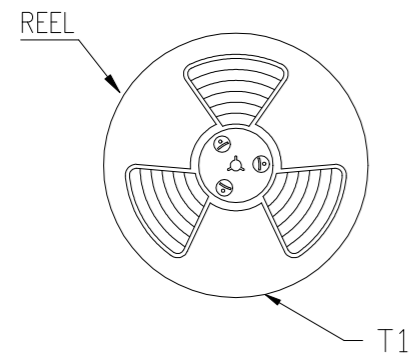
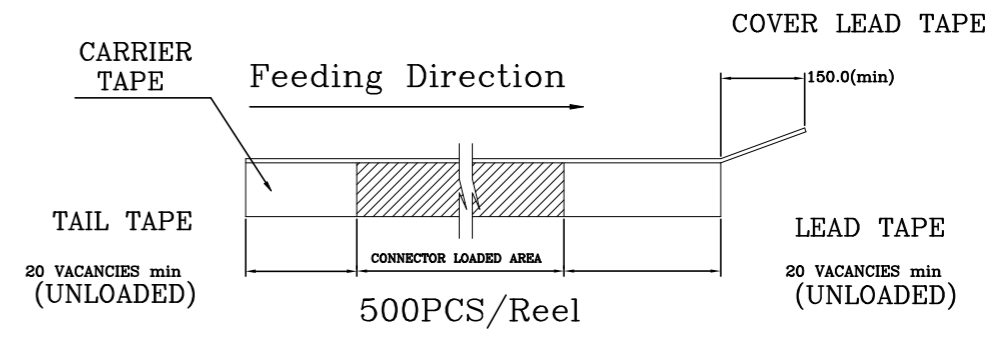
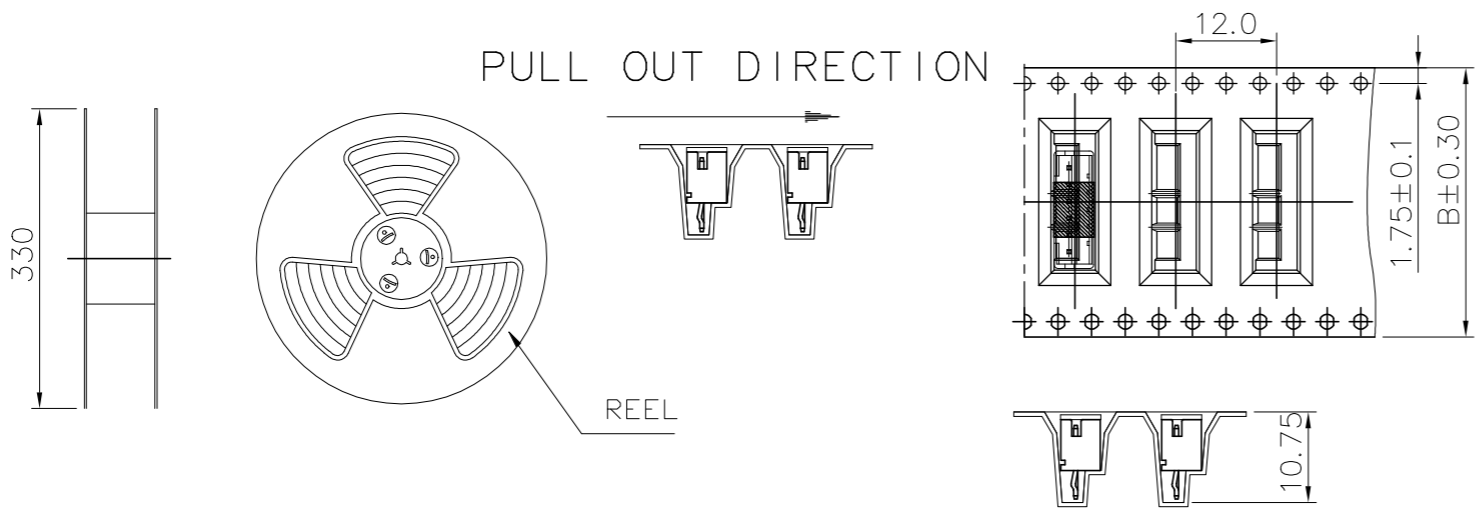
3

2

1

THIS DRAWING IS UNPUBLISHED. RELEASED FOR PUBLICATION AUG ,2006.  
 © COPYRIGHT 2009 BY TYCO ELECTRONICS CORPORATION. ALL RIGHTS RESERVED.

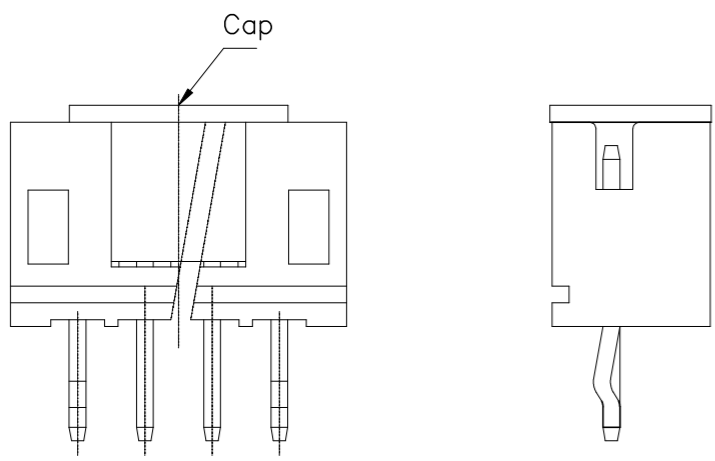
LOC		DIST		REVISIONS			
P	LTR	DESCRIPTION		DATE	DWN	APVD	
		SEE SHEET 1.					



H(mm)	POS	B(mm)	PCS./REEL	PCS/CARTON-T2
225	10P	44	500 PCS.	500X4=2000PCS.
125	7P	32	500 PCS.	500X3=1500PCS.

NOTE:  
9-440054-0 10POS WAVE SOLDER PART CAP TYPE.

32.0	1500	500	7P	9-440054-7
44.0	2000	500	10P	9-440054-0
B(mm)	APQ (PCS/CARTON)	PPQ (PCS/REEL)	POS.	PART NUMBER



THIS DRAWING IS A CONTROLLED DOCUMENT.		DWN		<b>STE</b> TE Connectivity	
DIMENSIONS: MM		CHK			
TOLERANCES UNLESS OTHERWISE SPECIFIED:		APVD		NAME	
0 PLC ± -		PRODUCT SPEC		2.0 MM PITCH HPI VERTICAL POST HEADERS	
1 PLC ± -		APPLICATION SPEC		SIZE CAGE CODE DRAWING NO RESTRICTED TO	
2 PLC ± -		WEIGHT		A3 00779 C=440054	
3 PLC ± -		CUSTOMER DRAWING		SCALE SHEET 9 of 9 REV F5	
4 PLC ± -					
ANGLES ± -					
MATERIAL FINISH					