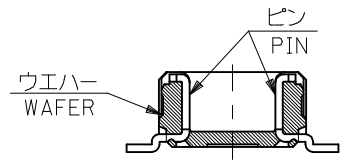
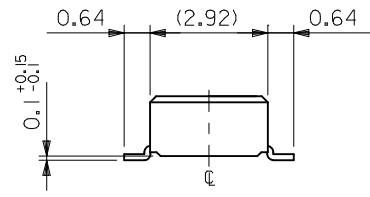
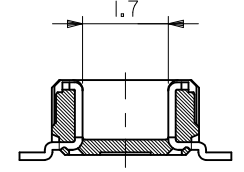


参考基板レイアウト (マウント面)
P.C.BOARD PATTERN DIMENSION (REF.)
(MOUNTING AREA)



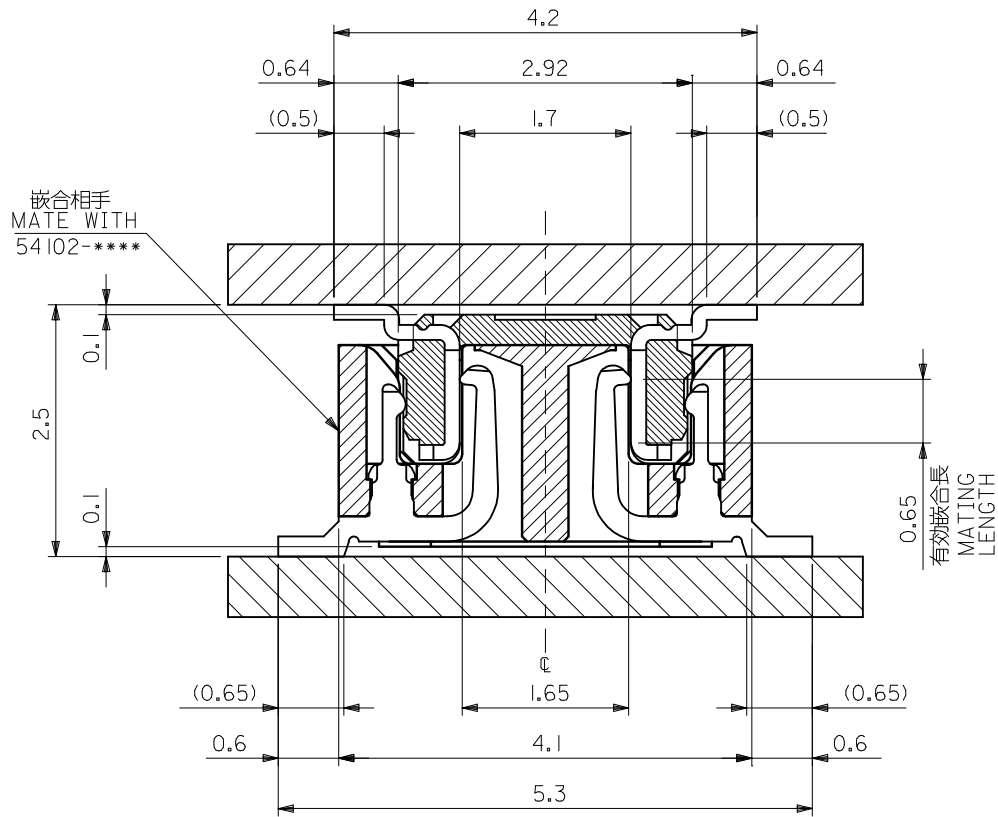
SECT.W-W(LOCK PART)



SECT.V-V(W/O LOCK PART)

NONE	20.55	19.5	21.45	500334-0800	80
ALL	8.05	7	8.95	500334-0300	30
	5.55	4.5	6.45	500334-0200	20
	4.55	3.5	5.45	500334-0160	16
LOCK POSITION	C	B	A	EMBOSSED TAPE PACKAGE ORDER No.	CIRCUIT

REVISED EC NO: J2013-1267 DRWN: TARA01 CHKD: TASAKAWA APPR: MSASAO 2013/05/07 2013/05/08 2013/05/10	GENERAL TOLERANCES (UNLESS SPECIFIED)		DIMENSION STYLE MM ONLY		SCALE ---		DESIGN UNITS METRIC		THIRD ANGLE PROJECTION	
	10 UNDER	±0.2	DRAWN BY	DATE	TITLE					
	10 OVER 30 UNDER	±0.25	GMATSUNO	2012/08/10	0.5 B-TO-B CONN PLUG (HGT=2.5) (SHEET 1 OF 2)					
	30 OVER	±0.3	CHECKED BY	DATE	moLEX					
	ANGULAR ±3 °		TASAKAWA	2012/08/10	MATERIAL NO.		DOCUMENT NO.		SHEET NO.	
DRAFT WHERE APPLICABLE MUST REMAIN WITHIN DIMENSIONS		SEE CHART		SD-500334-001		1 OF 2		THIS DRAWING CONTAINS INFORMATION THAT IS PROPRIETARY TO MOLEX INCORPORATED AND SHOULD NOT BE USED WITHOUT WRITTEN PERMISSION		



嵌合断面図 (参考)
MATED DRAWING (REF.)

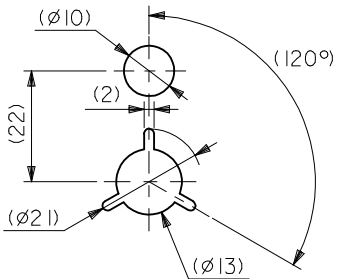
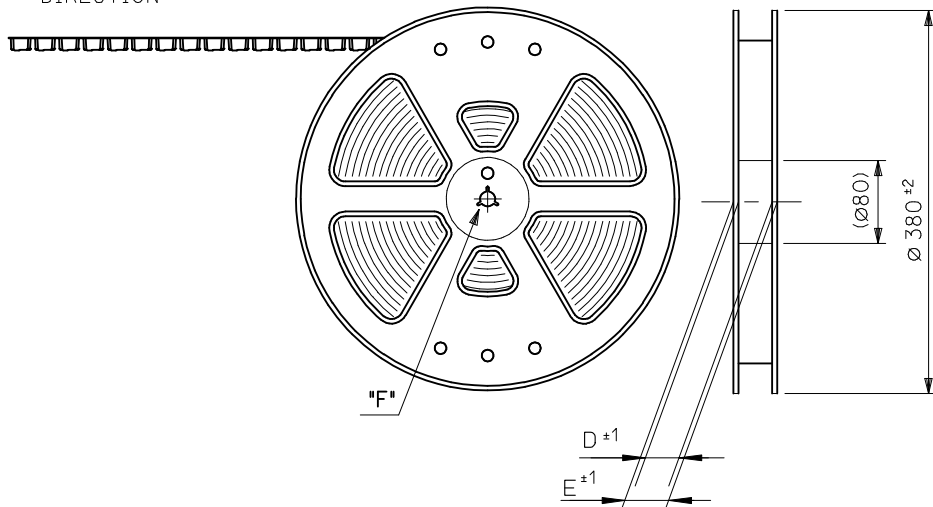
注記 NOTES:

1. 使用材料 MATERIAL
ハウジング: 液晶ポリマー (LCP), ガラス充填, UL94V-0, 色: 黒
HOUSING: LIQUID CRYSTAL POLYMER(LCP), GLASS FILLED UL94V-0, COLOR: BLACK
ターミナル: 黄銅 (t=0.15)
TERMINAL: BRASS (t=0.15)
2. メッキ仕様 PLATING
金メッキ 0.25マイクロメートル以上 (コンタクト部)
GOLD(AU) 0.25 MICROMETER MINIMUM (CONTACT AREA)
金メッキ (テール部)
GOLD PLATING (SOLDER TAIL AREA)
下地メッキ: ニッケルメッキ 1.5マイクロメートル以上
UNDER PLATING: NICKEL 1.5 MICROMETER MINIMUM
- △ (全極数/2) = 偶数の場合に適用。
APPLY FOR (CIRCUIT/2)=EVEN.
4. 嵌合相手: 54102シリーズ
MATE WITH: 54102 SERIES.
5. テール平坦度は 0.1以下。
TAIL COPLANARITY TO BE 0.1 MAXIMUM.

CONNECTOR SERIES No. 500334-***8

REVISED EC NO: J2013-1267 DRWN: TARA101 CHKD: TASAKAWA APPR: MSASAO 2013/05/07 2013/05/08 2013/05/10	GENERAL TOLERANCES (UNLESS SPECIFIED)		DIMENSION STYLE	SCALE	DESIGN UNITS	THIRD ANGLE PROJECTION
			MM ONLY	---	METRIC	
	10 UNDER	±0.2	DRAWN BY	DATE	TITLE	
	10 OVER 30 UNDER	±0.25	GMATSNO	2012/08/10	0.5 B-TO-B CONN PLUG (HGT=2.5) (SHEET 2 OF 2)	
30 OVER	±0.3	CHECKED BY	DATE			
		TASAKAWA	2012/08/10			
		APPROVED BY	DATE			
		ANGULAR	±3 °	MATERIAL NO.	DOCUMENT NO.	SHEET NO.
		DRAFT WHERE APPLICABLE MUST REMAIN WITHIN DIMENSIONS		SEE CHART	SD-500334-001	2 OF 2
				THIS DRAWING CONTAINS INFORMATION THAT IS PROPRIETARY TO MOLEX INCORPORATED AND SHOULD NOT BE USED WITHOUT WRITTEN PERMISSION		

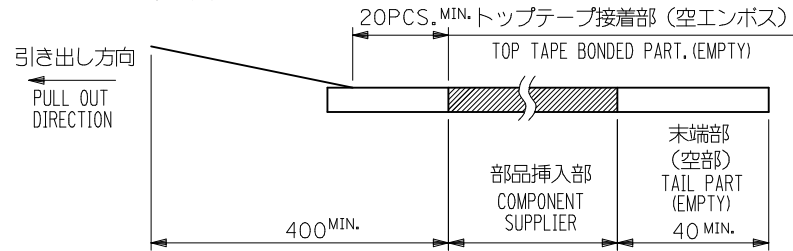
引き出し方向
PULL OUT
DIRECTION



DETAIL "F"

NOTES

- 製品詳細寸法については図面 SD-500334-001 を参照下さい。
RE DETAILED DIMENSION, SEE SD-500334-001
- 梱包数量：3000個/リール
NUMBER OF CONNECTORS : 3000PCS/REEL
- リードテープ長さ LEAD TAPE LENGTH

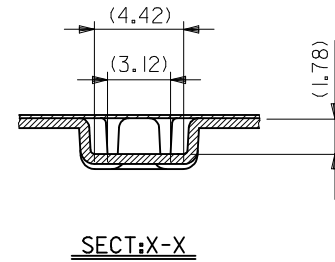
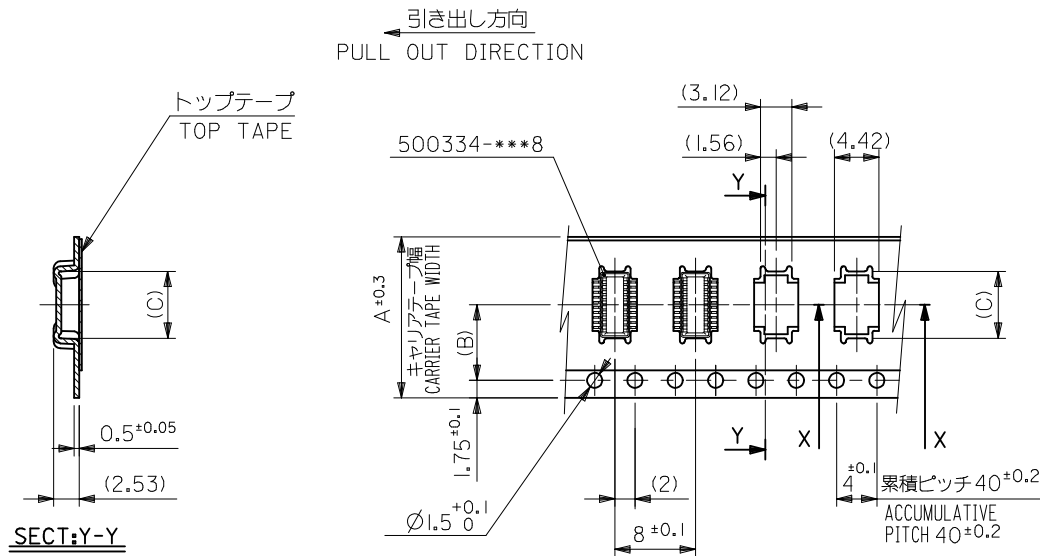


- カバーテープの剥離強度については、IEC60286-3に準拠
COVER TAPE PEEL FORCE IS DEFINED BY IEC60286-3.

5. 材料 MATERIAL

キャリアテープ：ポリプロピレン (PP)
CARRIER TAPE : POLYPROPYLENE (PP)
トップテープ：ポリエステル (PET)、ポリエチレン (PE)、ポリエチレンフォーム (PEF)
TOP TAPE : POLYESTER (PET)、POLYETHYLENE (PE)、POLYETHYLENEFOAM (PEF)
リール：ポリスチレン (PS) <リサイクル材を含む>
REEL : POLYSTYRENE (PS) <RECYCLE MATERIAL CONTAINED>

REVISED EC NO: J2013-1267 DRWN:TARA101 CHKD:TASAKAWA APPR:MSASAO	2013/05/07 2013/05/08 2013/05/10	DESCRIPTION REV	GENERAL TOLERANCES (UNLESS SPECIFIED)		DIMENSION STYLE MM ONLY		SCALE ---	DESIGN UNITS METRIC	THIRD ANGLE PROJECTION	
			10 UNDER	±0.2	DRAWN BY N.YOSHIKAWA	DATE 2009/03/18	TITLE EMBSTP PKG FOR 0.5 B/B PLUG ASSY (HGT=2.5) -LEAD FREE-			
			10 OVER 30 UNDER	±0.25	CHECKED BY M.HAYASHI	DATE 2009/03/18				
			30 OVER	±0.3	APPROVED BY N.UKITA	DATE 2009/03/18				
ANGULAR ±3 °		DRAFT WHERE APPLICABLE MUST REMAIN WITHIN DIMENSIONS		MATERIAL NO. SEE CHART		DOCUMENT NO. SD-500334-002		SHEET NO. 1 OF 4		
				THIS DRAWING CONTAINS INFORMATION THAT IS PROPRIETARY TO MOLEX INCORPORATED AND SHOULD NOT BE USED WITHOUT WRITTEN PERMISSION						

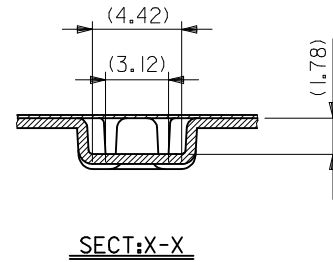
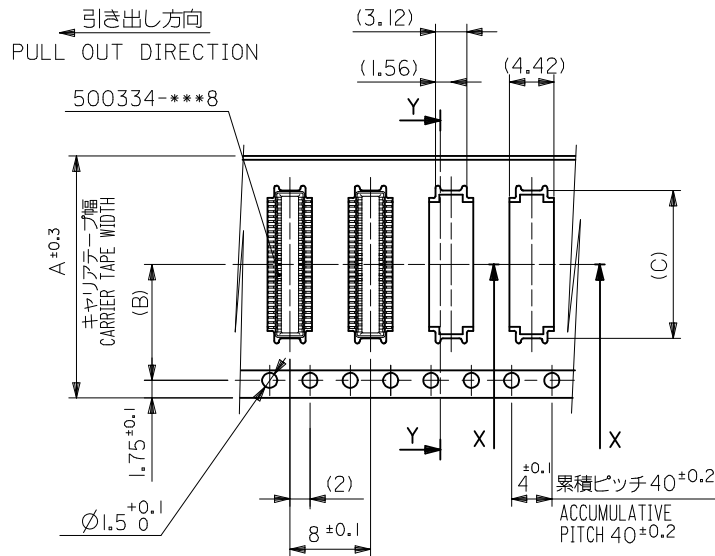
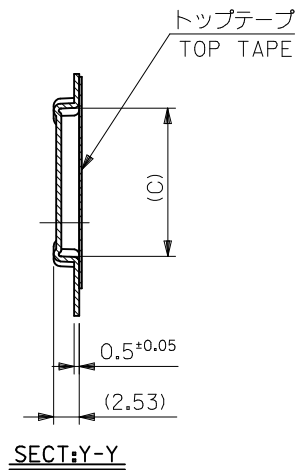


16mm幅キャリアテープ
16mm WIDTH CARRIER TAPE

21.4	17.4	6.65	7.5	16	500334-0200	20
21.4	17.4	5.65	7.5	16	500334-0160	16
E	D	(C)	(B)	A	EMBOSSED TAPE PACKAGE	極致 CKT.
ORDER No.						

CONNECTOR SERIES No. 500334-***0

REVISED EC NO: J2013-1267 DRWN: TARA101 CHKD: TASAKAWA APPR: MSASAO 2013/05/07 2013/05/08 2013/05/10	GENERAL TOLERANCES (UNLESS SPECIFIED)		DIMENSION STYLE MM ONLY		SCALE ---	DESIGN UNITS METRIC	THIRD ANGLE PROJECTION
	10 UNDER	±0.2	DRAWN BY N. YOSHIKAWA	DATE 2009/03/19	TITLE EMBSTP PKG FOR 0.5 B/B PLUG ASSY (HGT=2.5) -LEAD FREE-		
	10 OVER 30 UNDER	±0.25	CHECKED BY M. HAYASHI	DATE 2009/03/19			
	30 OVER	±0.3	APPROVED BY N. UKITA	DATE 2009/03/19			
ANGULAR ±3 °		MATERIAL NO. SEE CHRAT		DOCUMENT NO. SD-500334-002		SHEET NO. 2 OF 4	
DRAFT WHERE APPLICABLE MUST REMAIN WITHIN DIMENSIONS		THIS DRAWING CONTAINS INFORMATION THAT IS PROPRIETARY TO MOLEX INCORPORATED AND SHOULD NOT BE USED WITHOUT WRITTEN PERMISSION					

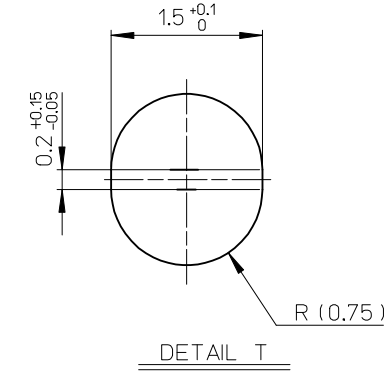
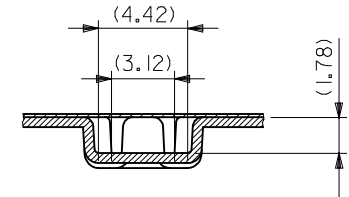
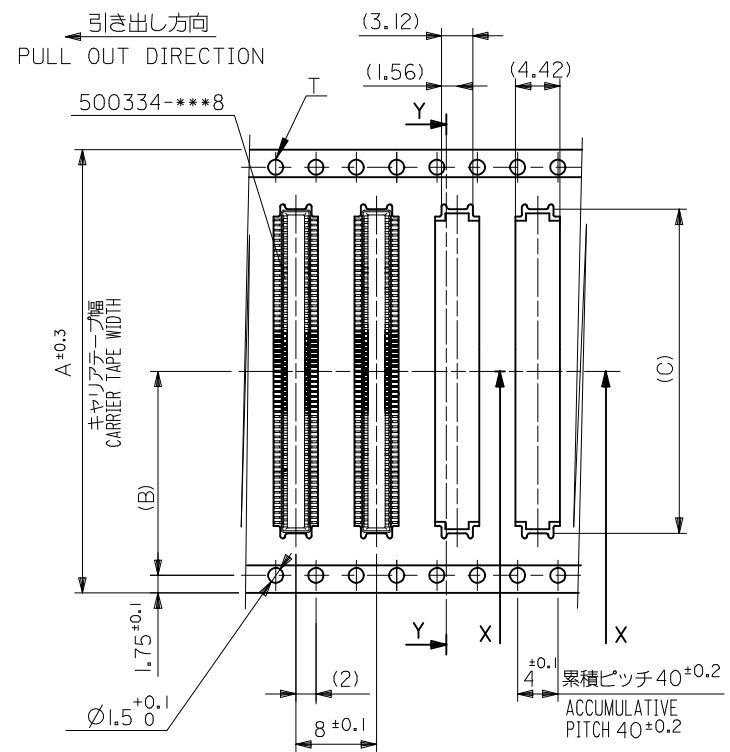
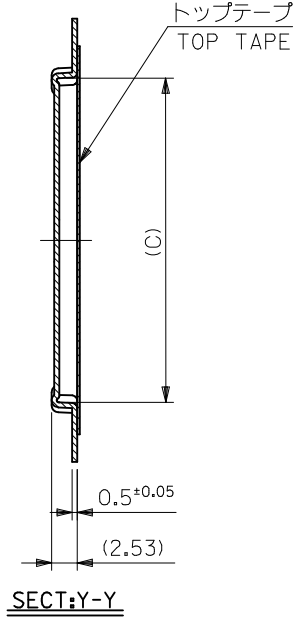


24mm幅キャリアテープ
24mm WIDTH CARRIER TAPE

29.4	25.4	9.15	11.5	24	500334-0300	30
E	D	(C)	(B)	A	EMBOSSED TAPE PACKAGE	極致 CKT.
ORDER No.						

CONNECTOR SERIES No. 500334-***0

REVISED EC NO: J2013-1267 DRWN: TARA101 CHKD: TASAKAWA APPR: MSASAO	DESCRIPTION 2013/05/07 2013/05/08 2013/05/10	GENERAL TOLERANCES (UNLESS SPECIFIED)		DIMENSION STYLE MM ONLY	SCALE ---	DESIGN UNITS METRIC	THIRD ANGLE PROJECTION
		10 UNDER	±0.2	DRAWN BY N. YOSHIKAWA	DATE 2009/03/19	TITLE EMBSTP PKG FOR 0.5 B/B PLUG ASSY (HGT=2.5) -LEAD FREE-	
		10 OVER 30 UNDER	±0.25	CHECKED BY M. HAYASHI	DATE 2009/03/19		
		30 OVER	±0.3	APPROVED BY MSASAO	DATE 2013/05/10		
ANGULAR ±3 °		DRAFT WHERE APPLICABLE MUST REMAIN WITHIN DIMENSIONS		MATERIAL NO. SEE CHRAT	DOCUMENT NO. SD-500334-002	SHEET NO. 3 OF 4	
SIZE A3				THIS DRAWING CONTAINS INFORMATION THAT IS PROPRIETARY TO MOLEX INCORPORATED AND SHOULD NOT BE USED WITHOUT WRITTEN PERMISSION			



44mm幅キャリアテープ
44mm WIDTH CARRIER TAPE

49.4	45.4	21.65	20.2	44	500334-0800	80
E	D	(C)	(B)	A	EMBOSSD TAPE PACKAGE	極致 CKT.
CONNECTOR SERIES No. 500334-***0						ORDER No.

REVISED EC NO: J2013-1267 DRWN: TARA 01 CHKD: TASAKAWA APPR: MSASAO 2013/05/07 2013/05/08 2013/05/10	DESCRIPTION	GENERAL TOLERANCES (UNLESS SPECIFIED)	DIMENSION STYLE	SCALE	DESIGN UNITS	TITLE EMBSTP PKG FOR 0.5 B/B PLUG ASSY (HGT=2.5) -LEAD FREE- molex DOCUMENT NO. SD-500334-002 SHEET NO. 4 OF 4	
	REV	10 UNDER ±0.2 10 OVER 30 UNDER ±0.25 30 OVER ±0.3 ANGULAR ±3 ° DRAFT WHERE APPLICABLE MUST REMAIN WITHIN DIMENSIONS	MM ONLY	---	METRIC		
			DRAWN BY N. YOSHIKAWA CHECKED BY M. HAYASHI APPROVED BY MSASAO DATE 2009/03/19 DATE 2009/03/19 DATE 2013/05/10				THIRD ANGLE PROJECTION SEE CHRT
				SIZE A3	THIS DRAWING CONTAINS INFORMATION THAT IS PROPRIETARY TO MOLEX INCORPORATED AND SHOULD NOT BE USED WITHOUT WRITTEN PERMISSION		