

CERAMIC SMD MICRO MINIATURE MICROPROCESSOR CRYSTAL



6.0 x 3.5 x 1.4mm

ABM7

Pb in Glass
(exempt per RoHS 2002/95/EC Annex (5)) | **RoHS/RoHS II Compliant**

Moisture Sensitivity Level (MSL) – This product is Hermetically Sealed and not Moisture Sensitive - MSL = N/A: Not Applicable

FEATURES:

- Low in height (1.4 mm max.)
- Ceramic package assures high reliability
- Small size SMD, suitable for high density applications
- Superior heat-resistant glass sealing
- Wide operating temperature available

APPLICATIONS:

- Computers, Modems, Communication equipment
- Thin equipment
- Industrial wide temperature applications

STANDARD SPECIFICATIONS:

Parameters	Minimum	Typical	Maximum	Units	Notes
Frequency Range(*)	8.000		39.999999	MHz	Fundamental AT-cut (Standard)
	40.000		80.000		3 rd OT AT-cut (Standard)
	40.000		50.000		Fundamental AT-cut (See options)
Operating Temperature	-10		+60	°C	See options
Storage Temperature	-40		+90	°C	
Frequency Tolerance @+25°C	-50		+50	ppm	See options
Frequency Stability over the Operating Temperature (ref. to +25°C)	-50		+50	ppm	See options
Equivalent series resistance	See table 1 below			Ω	
Shunt capacitance (C0)			7	pF	
Load capacitance (CL)		18		pF	See options
Drive Level		10	100	μW	
Aging@25°C±3°C			±5	ppm	First year
Insulation Resistance	500			MΩ	@ 100Vdc

(*) Frequency above 40MHz based on availability. Please contact ABRACON

Table 1

Frequency (MHz)	ESR(Ω) max.	Operation Mode
8.000 – 9.999	100	Fundamental
10.000 – 11.999	80	Fundamental
12.000 – 15.999	60	Fundamental
16.000 – 50.000	50	Fundamental
40.000 – 80.000	70	3 rd Overtone

CERAMIC SMD MICRO MINIATURE MICROPROCESSOR CRYSTAL

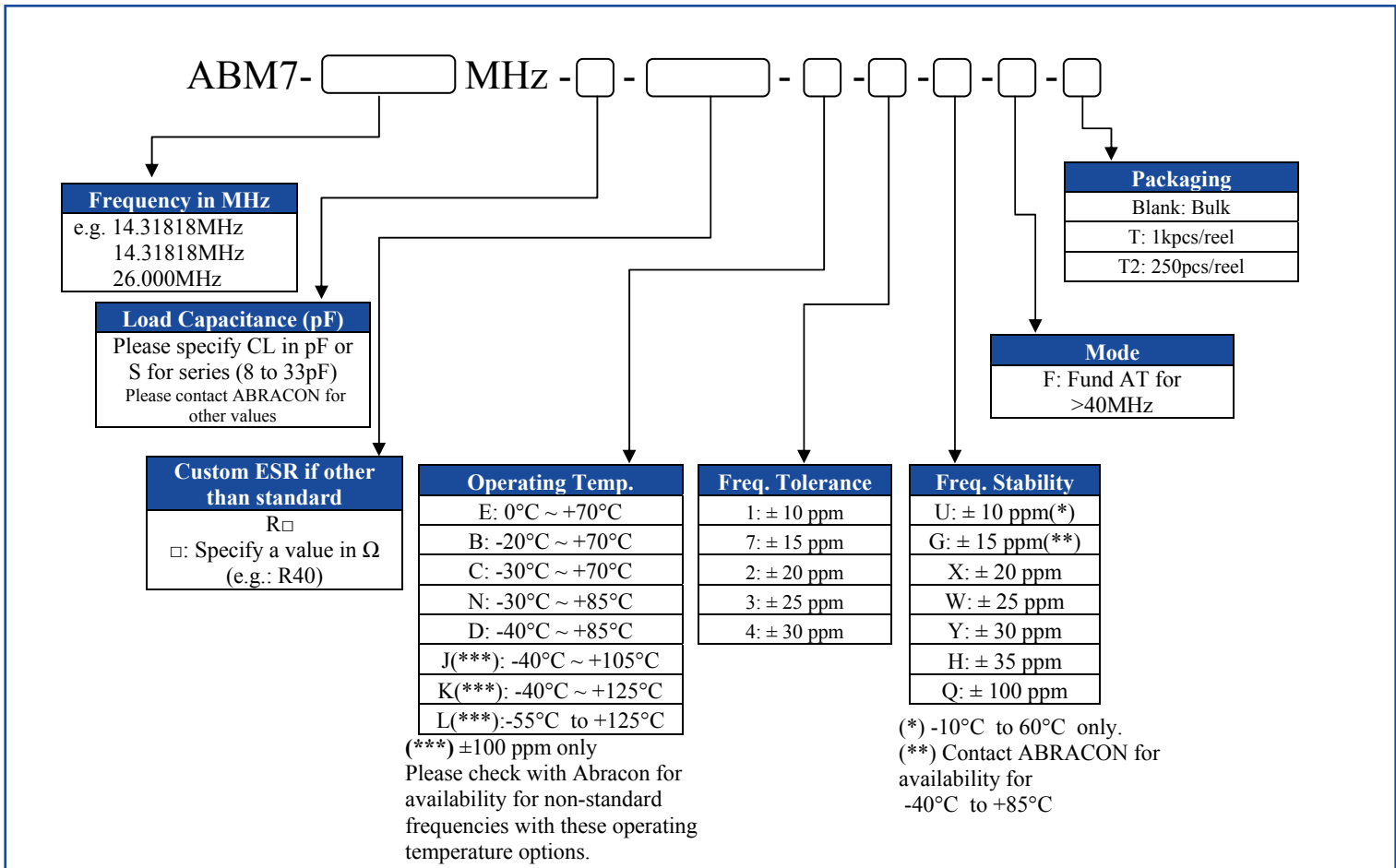


6.0 x 3.5 x 1.4mm

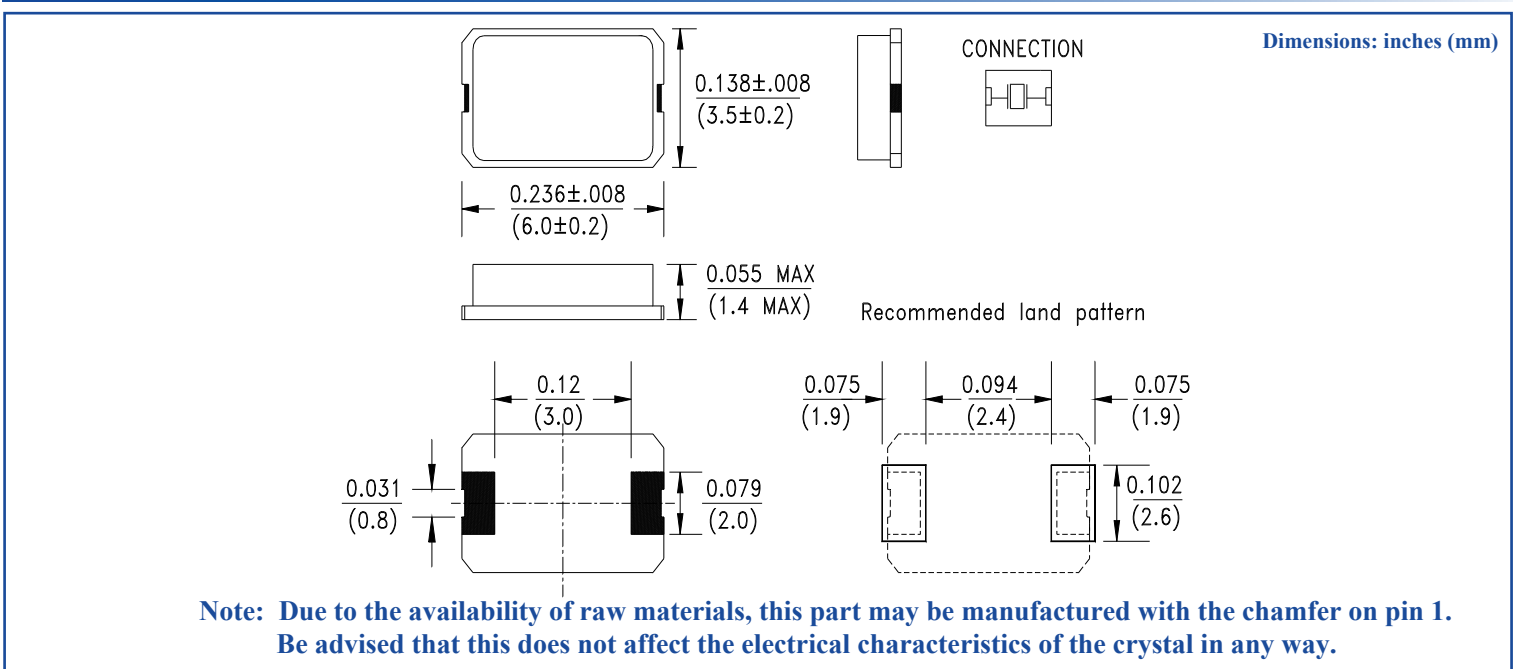
ABM7

Pb in Glass | **RoHS/RoHS II Compliant**
(exempt per RoHS 2002/95/EC Annex (5))

OPTIONS AND PART IDENTIFICATION: (left blank if standard)



OUTLINE DIMENSION:



CERAMIC SMD MICRO MINIATURE MICROPROCESSOR CRYSTAL

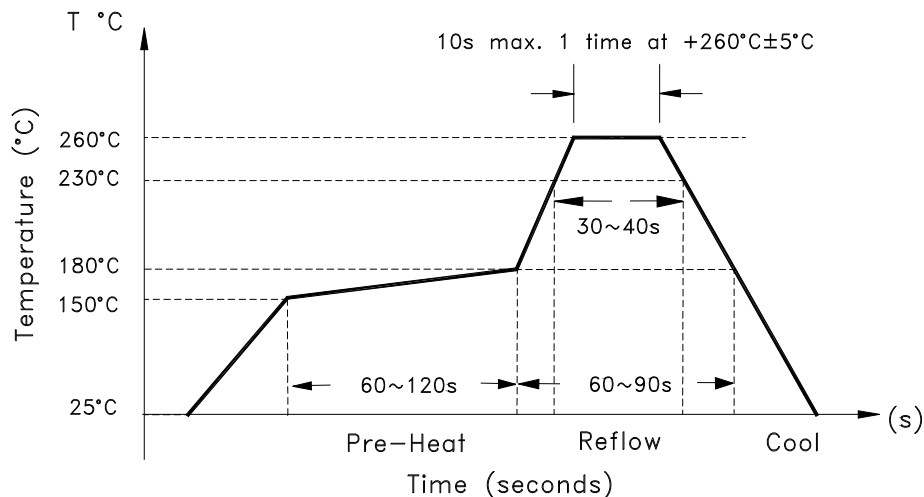


6.0 x 3.5 x 1.4mm

ABM7

Pb in Glass | **RoHS/RoHS II Compliant**
 (exempt per RoHS 2002/95/EC Annex (5))

REFLOW PROFILE:

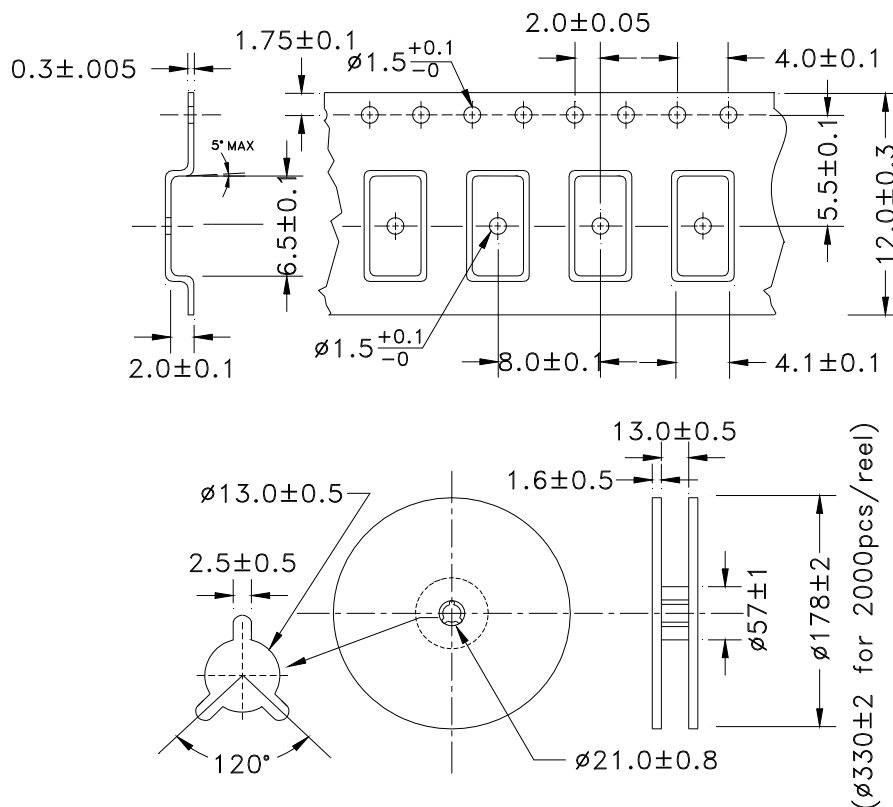


TAPE & REEL:

Packaging:

T: 1000pcs/reel

FEEDING (PULL) DIRECTION →



Dimensions: mm

ATTENTION: Abracon Corporation's products are COTS – Commercial-Off-The-Shelf products; suitable for Commercial, Industrial and, where designated, Automotive Applications. Abracon's products are not specifically designed for Military, Aviation, Aerospace, Life-dependant Medical applications or any application requiring high reliability where component failure could result in loss of life and/or property. For applications requiring high reliability and/or presenting an extreme operating environment, written consent and authorization from Abracon Corporation is required. Please contact Abracon Corporation for more information.

ABRACON IS
 ISO9001:2008
 CERTIFIED



2 Faraday, Suite# B | Irvine | CA 92618 **Revised: 08.06.15**
 Ph. 949.546.8000 | Fax. 949.546.8001
 Visit www.abracon.com for Terms and Conditions of Sale

Mouser Electronics

Authorized Distributor

Click to View Pricing, Inventory, Delivery & Lifecycle Information:

ABRACON:

[ABM7-12.000MHZ-B4-T](#) [ABM7-13.000MHZ-B4-T](#) [ABM7-14.31818MHZ-B4-T](#) [ABM7-14.7456MHZ-B4-T](#) [ABM7-16.000MHZ-B4-T](#) [ABM7-18.432MHZ-B4-T](#) [ABM7-20.000MHZ-B4-T](#) [ABM7-22.1184MHZ-B4-T](#) [ABM7-24.576MHZ-B4-T](#) [ABM7-25.000MHZ-B4-T](#) [ABM7-12.000MHZ-D2Y-T](#) [ABM7-32.000MHZ-D2Y-T](#) [ABM7-30.000MHZ-D2Y-T](#) [ABM7-33.000MHZ-D2Y-T](#) [ABM7-16.000MHZ-D2Y-T](#) [ABM7-10.0000MHZ-D2Y-T](#) [ABM7-24.000MHZ-D2Y-T](#) [ABM7-20.000MHZ-D2Y-T](#) [ABM7-27.000MHZ-D2Y-T](#) [ABM7-22.1184MHZ-D2Y-T](#) [ABM7-24.576MHZ-D2Y-T](#) [ABM7-19.6608MHZ-D2Y-T](#) [ABM7-14.31818MHZ-D2Y-T](#) [ABM7-14.7456MHZ-D2Y-T](#) [ABM7-11.2896MHZ-D2Y-T](#) [ABM7-18.432MHZ-D2Y-T](#) [ABM7-12.288MHZ-D2Y-T](#) [ABM7-25.000MHZ-D2Y-T](#) [ABM7-8.000MHZ-D2Y-T](#) [ABM7-11.0592MHZ-D2Y-T](#) [ABM7-9.8304MHZ-D2Y-T](#) [ABM7-40.000MHZ-D2Y-F-T](#) [ABM7-48.000MHZ-D2Y-F-T](#) [ABM7-14.31818MHZ-D4H-T](#) [ABM7-15.360MHZ-B4-T](#) [ABM7-33.000MHZ-D2X-T](#) [ABM7-25.000MHZ-D2X-T](#) [ABM7-13.560MHZ-10-R50-K4Q-T](#) [ABM7-9.84375MHZ-10-R50-K4Q-T](#) [ABM7-13.52127MHZ-10-R50-J4Q-T](#) [ABM7-9.81563MHZ-10-R50-J4Q-T](#) [ABM7-13.560MHZ-D2Y-T](#)