

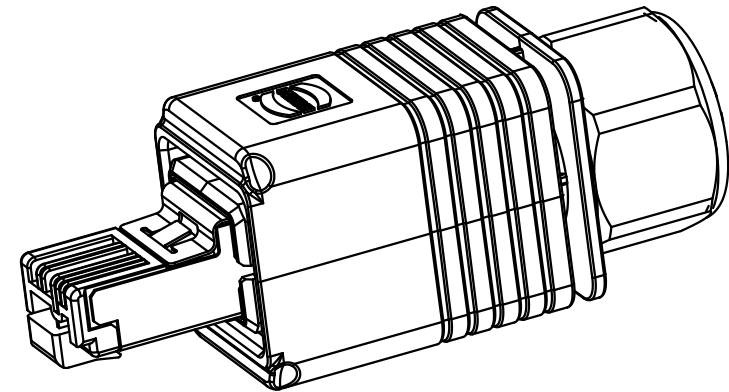
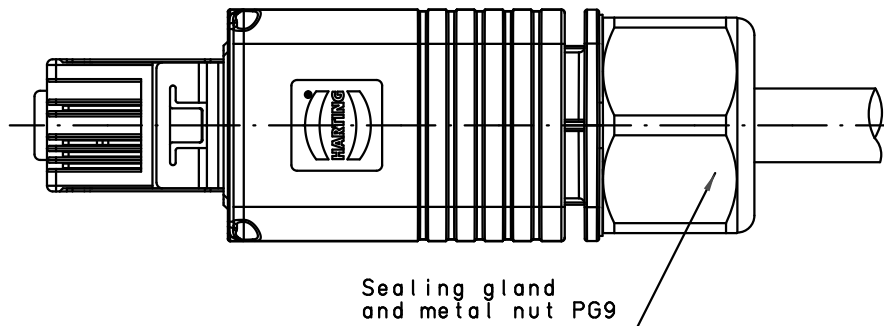
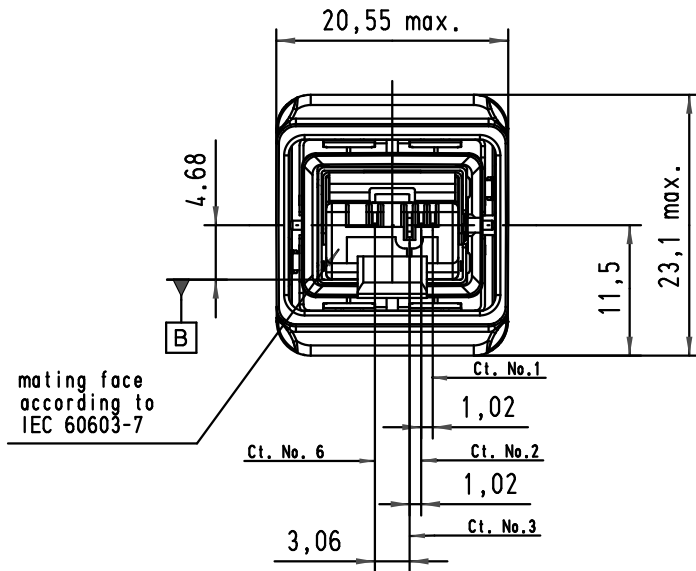
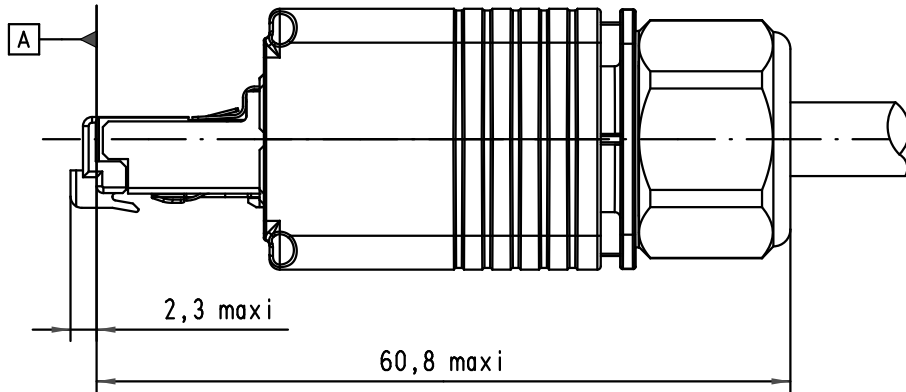
5

4

3



2

1



Plug according to IEC 61076-3-106 Variant 4

Cable diameter : 4.9 to 8.6mm  
 AWG 22 to AWG 23 Solid &  
 AWG 22 to AWG 24 Stranded  
 With wires O.D max. 1.6mm.

						 <p>All Dim. in mm Orig. Size DIN A 4</p>	HARTING PushPull Metal RJ45 IP65/67 Shielded Plug Cat.5 4 data contacts	Maßstab/ Scale  3:2
			Detail.	27/01/09	BD			
			Insp.					
			Stand.					
09 45 195 1100	Au: 1.27 µm over nickel	35643	27/01/09	BD	HARTING EURL F-95972 Paris		 TB 09 45 195 1100	Blatt/ Page 1 / 1
Part Number	Data contact plating	Mod.	Dat.	Name				

A

B

C

D

# Mouser Electronics

Authorized Distributor

Click to View Pricing, Inventory, Delivery & Lifecycle Information:

[HARTING:](#)

[09451951100](#)