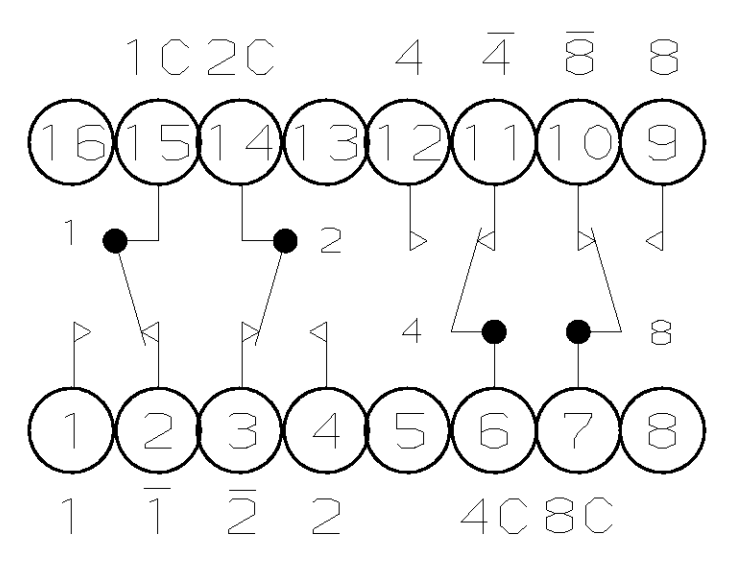
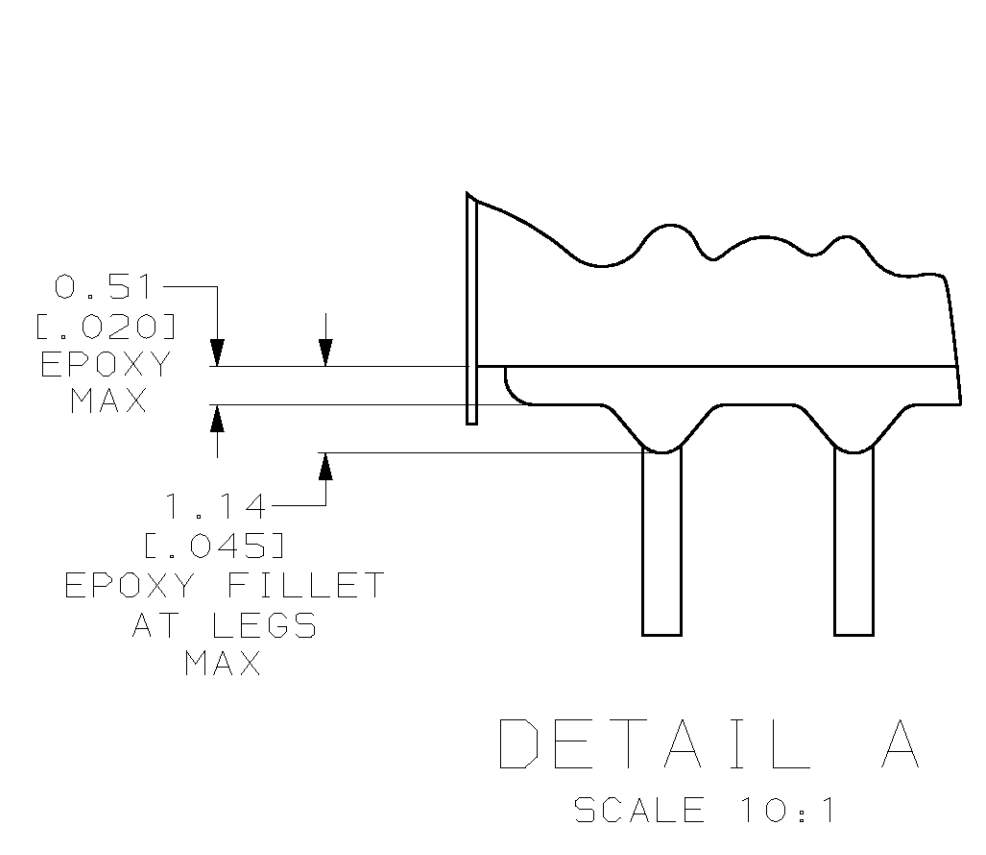


LOC	DIST	REVISIONS				
AG	1	REV	DESCRIPTION	DATE	DWN	APVD
		K	REDRAWN ON CAD PER 0330-0026-96	1-8-97	WS	JR
		L	REV PER EC 063C-0381-01	02MAY02	MB	HW

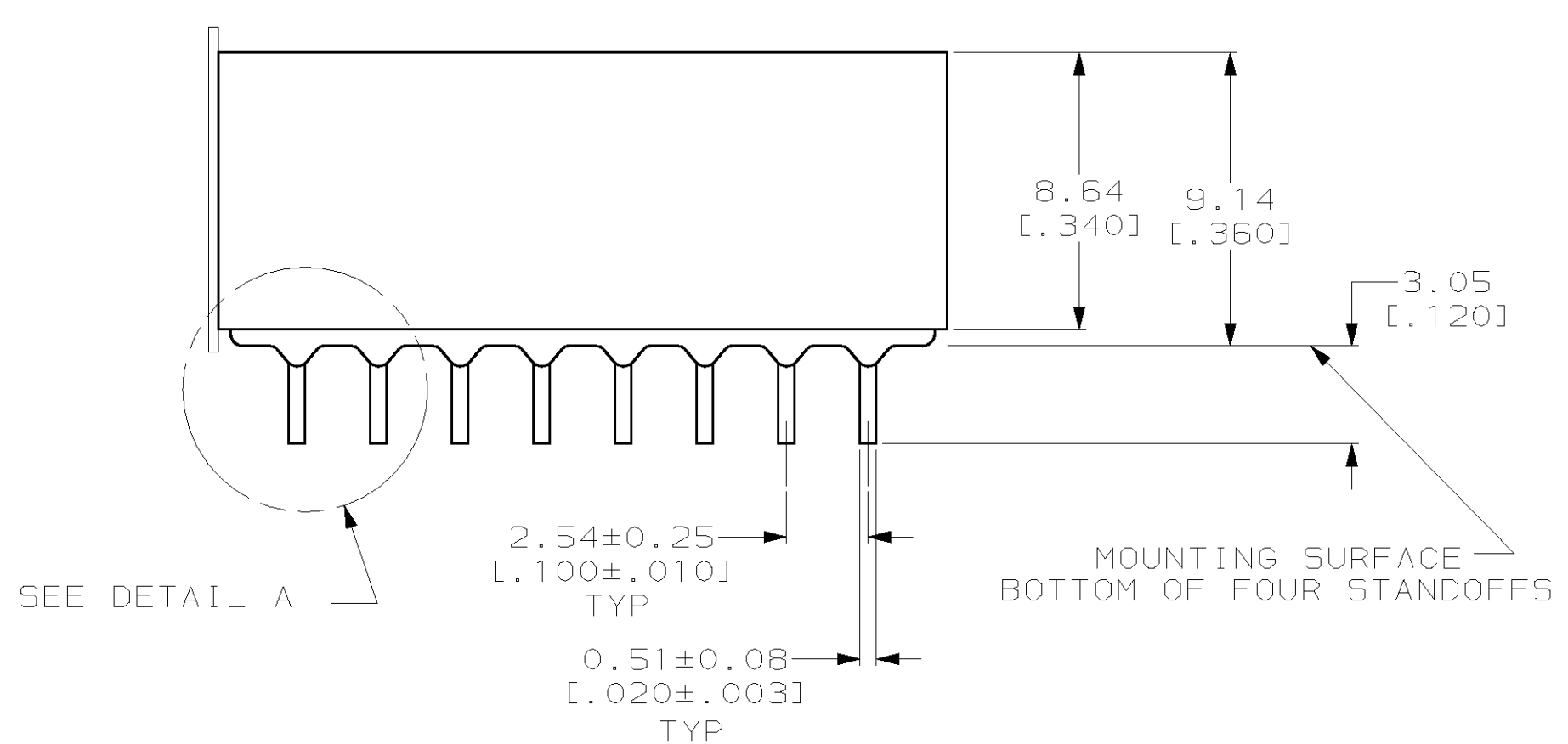
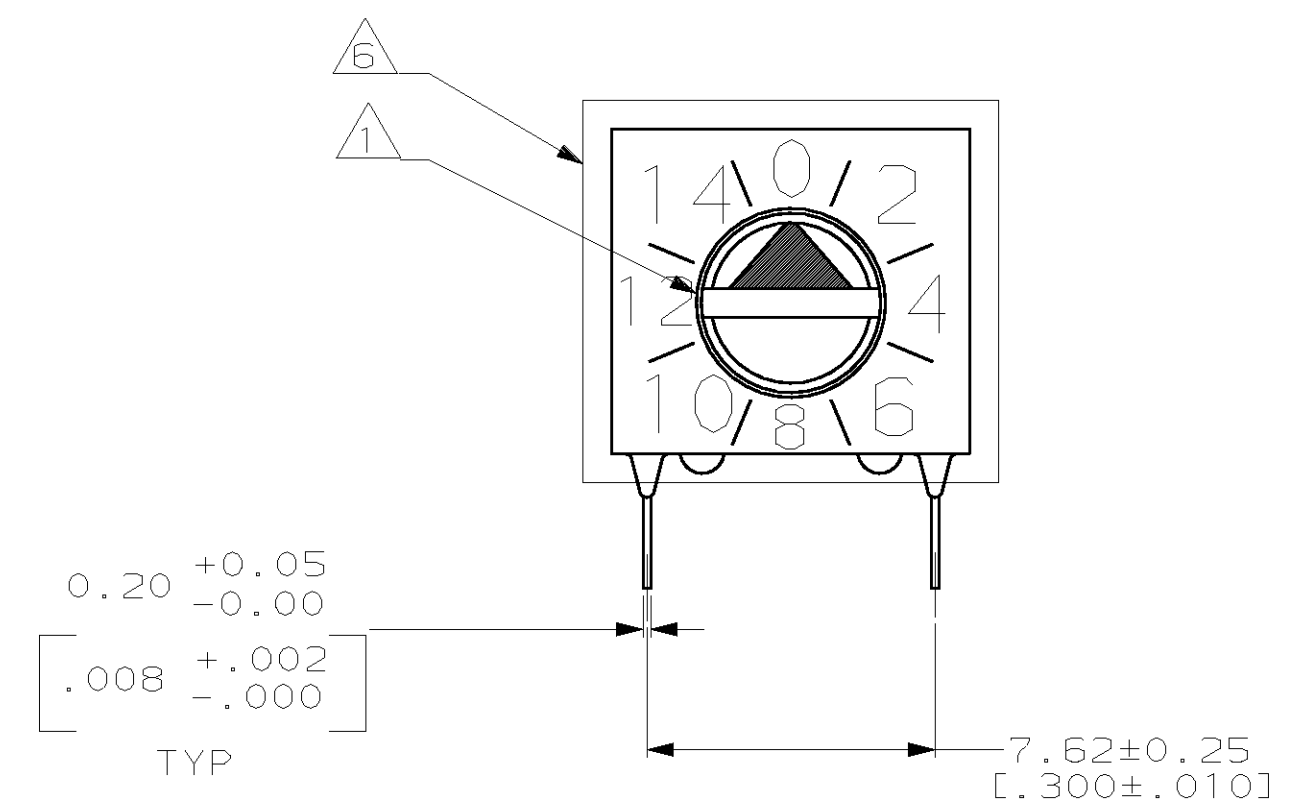
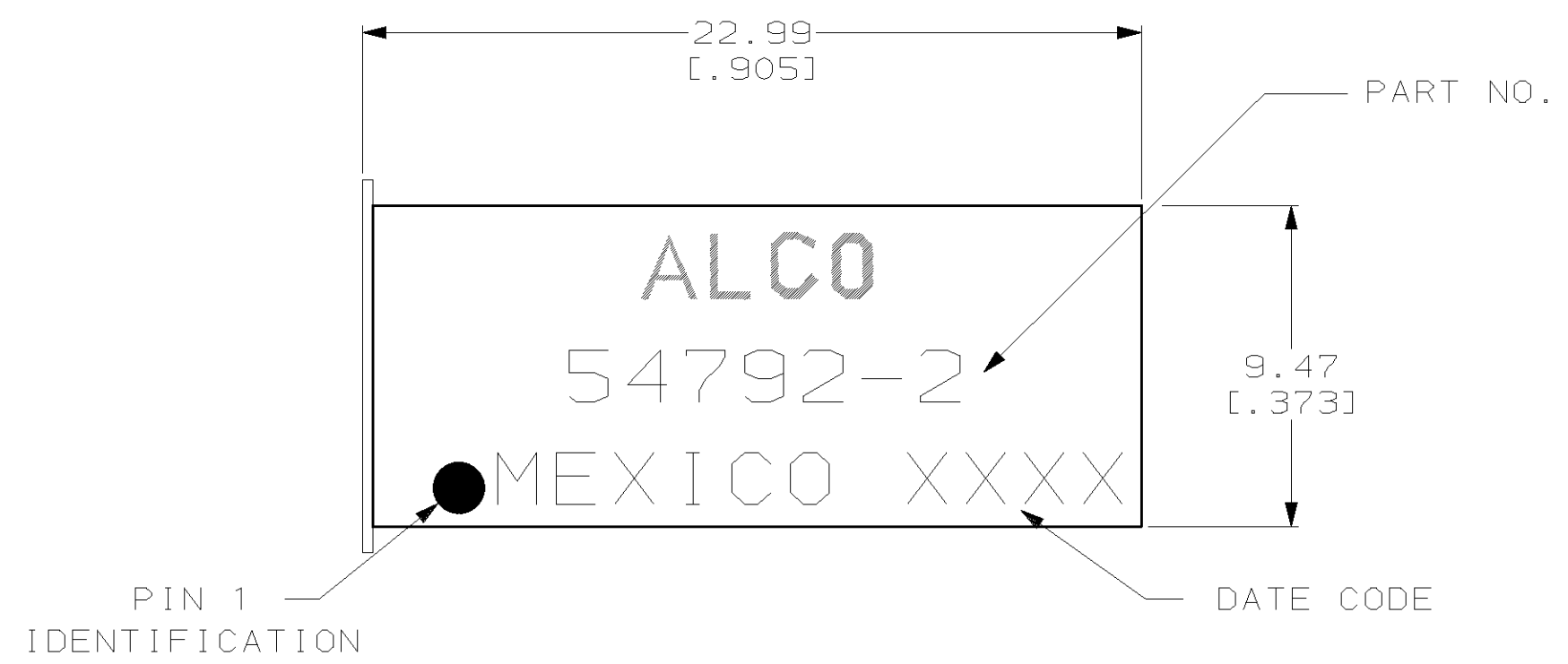


SCHEMATIC
(POSITION 0)

- △ SLOT FOR SCREWDRIVER ACTUATION, AFTER REMOVAL OF TAPE.
- 2. FOR ADDITIONAL SPECIFICATIONS SEE AMP PRODUCT SPEC 108-7066 AND INSTRUCTION SHEET 6811.
- 3. SWITCH BOTTOM IS SEALED.
- △ CONTACT FINISH TO BE 0.00076 [.000030] GOLD OVER NICKEL.
- △ MATERIAL:
HOUSING : BLACK POLYESTER
CONTACTS : BERYLLIUM COPPER.
- △ REMOVABLE TAPE TO SEAL ACTUATOR END.

		POSITION															
		0	1	2	3	4	5	6	7	8	9	10	11	12	13	14	15
COMMON TO	1		●		●		●		●		●		●		●		●
	2			●	●			●	●			●	●			●	●
	4					●	●	●	●				●	●	●	●	●
	8									●	●	●	●	●	●	●	●
	1	●		●		●		●		●		●		●		●	
	2	●	●			●	●			●	●			●	●		
	4	●	●	●	●					●	●	●	●				
	8	●	●	●	●	●	●	●									

HEXADECIMAL: WITH COMPLEMENT



54792-2
PART NUMBER

DIMENSIONS (mm [INCHES])		TOLERANCES UNLESS OTHERWISE SPECIFIED		DRAWN	
0 PLC	±-	0.100 ± 0.010	±-	M. SORAH	1-8-97
1 PLC	±-	0.020 ± 0.003	±-	R. TALLEY	1-8-97
2 PLC	±0.30 [.0123]	±-	±-	J. ROBB	1-8-97
3 PLC	±-	±-	±-		
4 PLC	±-	±-	±-		
ANGLES	±-				
FINISH	±-				

AMP Incorporated Harrisburg, PA 17105-3608	NAME SWITCH ASSY, PREPROGRAMMED DIP, 16 POSITION, SCREWDRIVER SLOT
SIZE A1	CAGE CODE 00779
DRAWING NO. 54792-2	SCALE 5:1
WEIGHT -	SHEET 1 OF 1
CUSTOMER DRAWING	REV L

Mouser Electronics

Authorized Distributor

Click to View Pricing, Inventory, Delivery & Lifecycle Information:

[TE Connectivity:](#)

[54792-2](#)