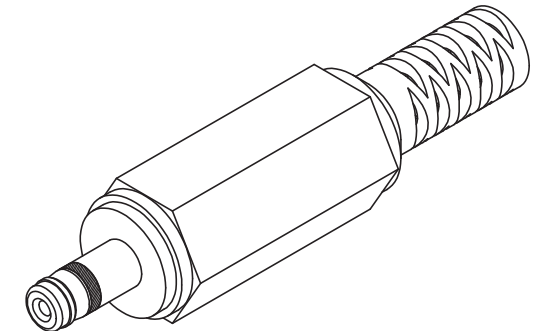


DETAIL A
SCALE 8:1

SPECIFICATIONS:

RATING: 16V DC @ 3A
 INSULATION RESISTANCE: 100M OHMS MIN: 500V DC
 VOLTAGE WITHSTAND: 500V AC R.M.S. FOR 1 MINUTE
 LIFE: 5,000 CYCLES



TOLERANCE:
 X.X ±0.2mm
 X.XX ±0.1mm
 X.XXX ±0.05mm



20050 SW 112th Ave.
 Tualatin, OR 97062
 Phone: 503-612-2300
 800-275-4899
 Fax: 503-612-2383
 Website: www.cui.com

| | MATERIAL | PLATING |
|---------------|----------|-------------|
| COVER | PVC | Black Color |
| PIN | Brass | Nickel |
| BARREL | Brass | Nickel |
| TERMINALS | Brass | Nickel |
| TIP INSULATOR | POM | Black Color |

| | | |
|----------------------------------|--------------|--------------------|
| TITLE: DC POWER PLUG 3-CONDUCTOR | | REV: A |
| PART NO. PP-018 | | UNITS: MM [INCHES] |
| DRAWN BY: ZRJ | APPROVED BY: | SCALE: 2:1 |