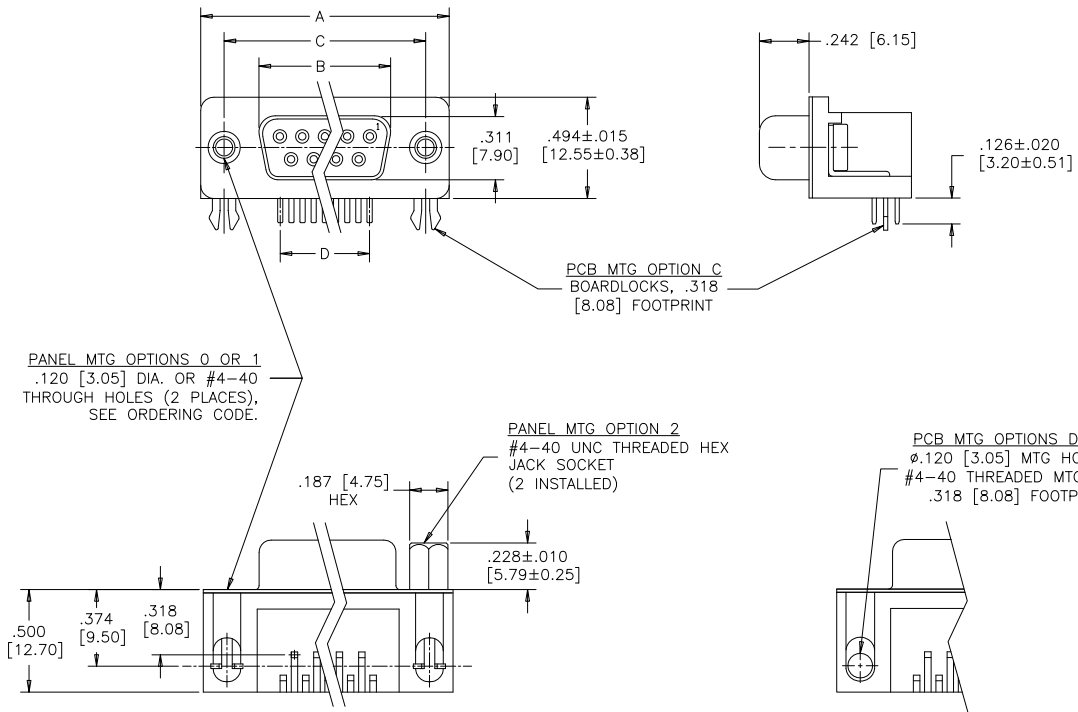


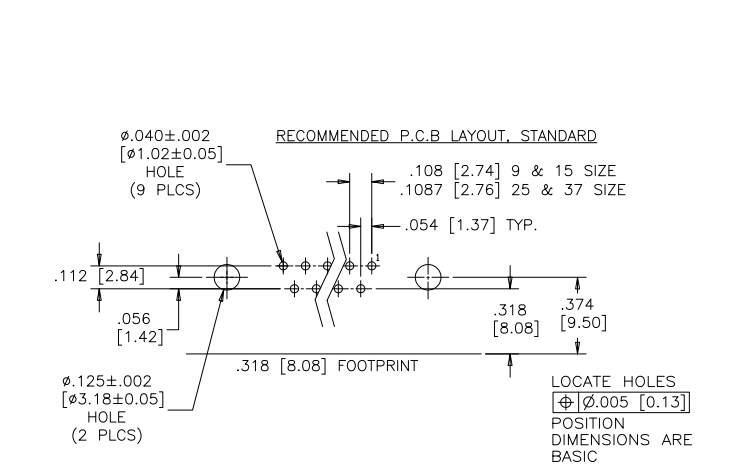
**.318 [8.08] FOOTPRINT**  
(STANDARD PCB LAYOUT)

REVISIONS			
REV	ECN, ERN NO.	DATE	APPRD.
C	PRODUCT DRAWING (EAR 14576)	JULY18/17	K.L.
D	PRODUCT DRAWING (EAR 14658)	MAY07/18	K.L.



**DIMENSIONS**

SIZE	A±.015 [0.38]	B±.005 [0.13]	C±.005 [0.13]	D BSC.
009	1.213 [30.81]	.643 [16.33]	.984 [24.99]	.432 [10.97]
015	1.541 [39.14]	.971 [24.66]	1.312 [33.32]	.756 [19.20]
025	2.088 [53.04]	1.511 [38.38]	1.852 [47.04]	1.304 [33.12]
037	2.729 [69.32]	2.159 [54.84]	2.500 [63.50]	1.956 [49.68]



**ORDERING CODE:**

**PART NUMBER:** 6 E 1 7 X - X X X S X X - X 2 0 X

**SERIES** ————

**PCB MTG OPTIONS**  
 C=BOARDLOCK OPTION, .318 [8.08] FOOTPRINT  
 D= $\phi 0.120$  [3.05] MTG HOLE, .318 [8.08] FOOTPRINT  
 J=#4-40 THREADED MTG HOLE, .318 [8.08] FOOTPRINT  
 U= $\phi 0.120$  [3.05] MTG HOLE, .590 [14.99] FOOTPRINT  
 Y=BOARDLOCK OPTION, .590 [14.99] FOOTPRINT

**NUMBER OF CONTACTS**  
 009, 015, 025, 037

**STYLE**  
 S=SOCKET

**PCB LAYOUT CODE**  
 NO DIGIT=STANDARD  
 .374 [9.50] DIM'N FOR .318 [8.08] F/P  
 .315 [8.00] DIM'N FOR .590 [14.99] F/P  
 E=.646 [16.41] DIM'N FOR .590 [14.99] F/P

**SHELL CHARACTERISTICS**  
 20=NICKEL PLATED RECEPTACLE SHELL

**PANEL MOUNTING OPTIONS**  
 0= $\phi 0.120$ " [3.05] THROUGH HOLE  
 1=#4-40 THREADED HOLE  
 2=MOUNTING OPTION 1 WITH #4-40 UNC HEX JACK SOCKETS INSTALLED

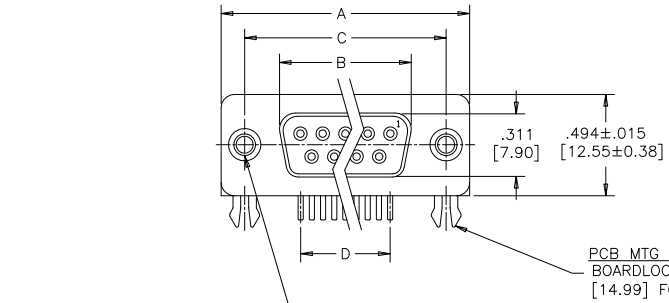
**CONTACT PLATING OPTIONS**  
 BF=ENGAGEMENT AREA  $3\mu$ " [0.08 MICRONS] GOLD FLASH  
 CF=ENGAGEMENT AREA  $15\mu$ " [0.38 MICRONS] GOLD  
 AJ=ENGAGEMENT AREA  $30\mu$ " [0.76 MICRONS] GOLD

SEE SHEET 2 FOR NOTES & SPECIFICATIONS

DRAWN A.CHENG	DATE APR13/06	Amphenol Canada Corp.				
DESIGNED						
CHECKED K.LAMBIE	APR13/06	TITLE 6E17 SERIES D-SUB CONNECTOR, 9 TO 37 SIZE SOCKET, RIGHT ANGLE WITH F/P, MTG AND PLATING OPTIONS, RoHS COMPLIANT				
I. E. APPRD.						
Q. A. APPRD.		DWG DRAWING NO. C P-6E17X-XXXSXX-X20X D				
DWG. APPRD.						
ENG. REL. NO.		REV. D				
REF. EAR 12937						
DIMENSIONS ARE IN INCHES		CODE ID. NO. 03554	SCALE 2/1	WT. -----	SURF. -----	SHEET 1 OF 2

THIS DOCUMENT CONTAINS PROPRIETARY INFORMATION AND SUCH INFORMATION MAY NOT BE DISCLOSED TO OTHERS FOR ANY PURPOSE OR USED FOR MANUFACTURING PURPOSES WITHOUT WRITTEN PERMISSION FROM AMPHENOL CANADA CORP.

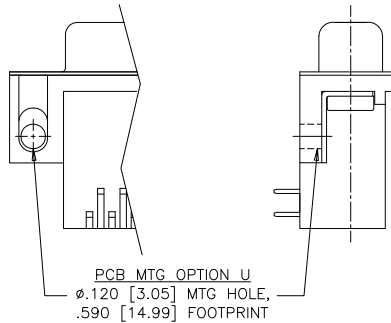
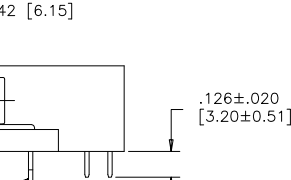
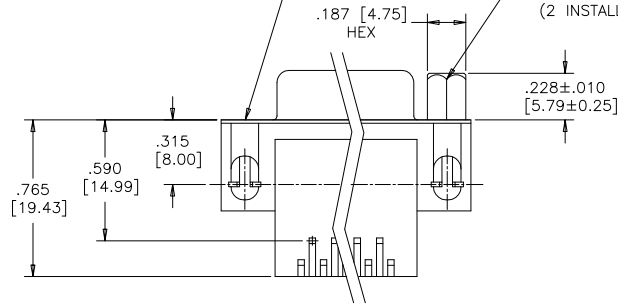
**.590 [14.99] FOOTPRINT**  
(STANDARD PCB LAYOUT)



PCB MTG\_OPTION Y  
BOARDLOCKS, .590  
[14.99] FOOTPRINT

PANEL MTG\_OPTIONS 0 OR 1  
.120 [3.05] DIA. OR #4-40  
THROUGH HOLES (2 PLACES),  
SEE ORDERING CODE.

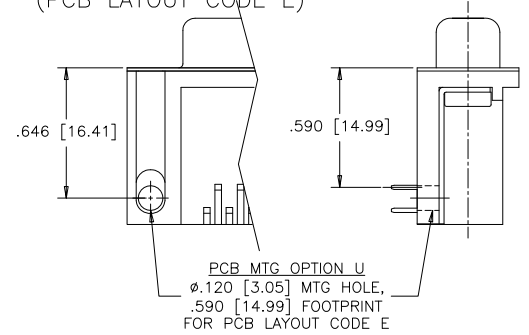
PANEL MTG\_OPTION 2  
#4-40 UNC THREADED HEX  
JACK SOCKET  
(2 INSTALLED)



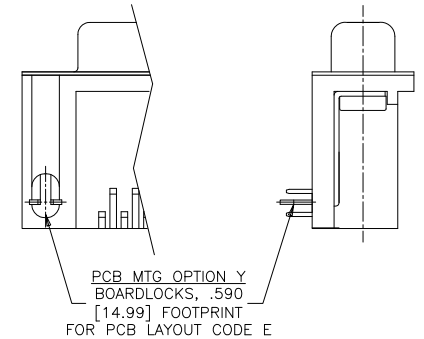
PCB MTG\_OPTION U  
ø.120 [3.05] MTG HOLE,  
.590 [14.99] FOOTPRINT

REVISIONS			
REV	ECN, ERN NO.	DATE	APPRD.
C	PRODUCT DRAWING (EAR 14576)	JULY18/17	K.L.
D	PRODUCT DRAWING (EAR 14658)	MAY07/18	K.L.

**.590 [14.99] FOOTPRINT**  
(PCB LAYOUT CODE E)

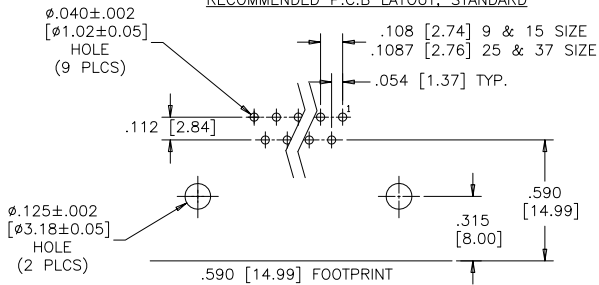


PCB MTG\_OPTION U  
ø.120 [3.05] MTG HOLE,  
.590 [14.99] FOOTPRINT  
FOR PCB LAYOUT CODE E



PCB MTG\_OPTION Y  
BOARDLOCKS, .590  
[14.99] FOOTPRINT  
FOR PCB LAYOUT CODE E

**RECOMMENDED P.C.B LAYOUT, STANDARD**

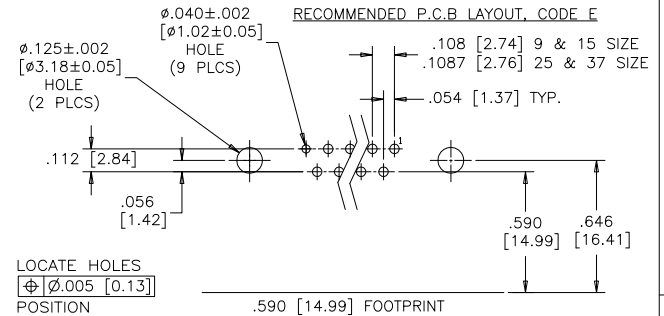


LOCATE HOLES  
⊕ [ø.005 [0.13]]  
POSITION  
DIMENSIONS ARE  
BASIC

**DIMENSIONS**

SIZE	A±.015 [0.38]	B±.005 [0.13]	C±.005 [0.13]	D BSC.
009	1.213 [30.81]	.643 [16.33]	.984 [24.99]	.432 [10.97]
015	1.541 [39.14]	.971 [24.66]	1.312 [33.32]	.756 [19.20]
025	2.088 [53.04]	1.511 [38.38]	1.852 [47.04]	1.304 [33.12]
037	2.729 [69.32]	2.159 [54.84]	2.500 [63.50]	1.956 [49.68]

**RECOMMENDED P.C.B LAYOUT, CODE E**



LOCATE HOLES  
⊕ [ø.005 [0.13]]  
POSITION  
DIMENSIONS ARE  
BASIC

**SPECIFICATIONS:**

**MATERIALS:** ALL MATERIALS ARE RoHS COMPLIANT

**SHELL:** STEEL, NICKEL PLATED

**INSERTS:** HIGH TEMPERATURE RESISTANT NYLON, GLASS REINFORCED, UL FLAMMABILITY RATING 94V-0, COLOUR: BLACK

**CONTACTS:** COPPER ALLOY, GOLD PLATING (SEE ORDERING CODE) OVER 50u" [1.27 MICRONS] NICKEL ON ENGAGEMENT AREA WITH 100u" [2.54 MICRONS] MIN. MATTE TIN ON CONTACT TERMINALS.

**BOARDLOCK:** COPPER ALLOY, TIN PLATED

**ELECTRICAL DATA:**

**CURRENT RATING:** 5 AMP

**CONTACT RESISTANCE:** 15 MILLIOHMS MAX.

**INSULATION RESISTANCE:** 3000 MEGOHMS MIN.

**DIELECTRIC WITHSTANDING VOLTAGE:** 1000 VAC rms

**OPERATING TEMPERATURE:** -55°C TO +105°C

SEE SHEET 1 FOR ORDERING CODE

DRAWN	A.CHENG	DATE	APR13/06
DESIGNED			
CHECKED	K.LAMBIE	DATE	APR13/06
I. E. APPRD.			
Q. A. APPRD.			
DWG. APPRD.			
ENG. REL. NO.			
REF.	EAR 12937		
DIMENSIONS ARE IN	INCHES	CODE ID. NO.	03554

**Amphenol Canada Corp.**

TITLE  
6E17 SERIES D-SUB CONNECTOR, 9 TO 37 SIZE SOCKET, RIGHT ANGLE WITH F/P, MTG AND PLATING OPTIONS, RoHS COMPLIANT

DWG	DRAWING NO.	REV.
C	P-6E17X-XXXSXX-X20X	D
SCALE	2/1	WT. -----
SURF.	-----	SHEET 2 OF 2

# Mouser Electronics

Authorized Distributor

Click to View Pricing, Inventory, Delivery & Lifecycle Information:

## Amphenol:

[6E17C015SCF120](#) [6E17D037SAJ120](#) [6E17D015SAJ120](#) [6E17U037SAJ220E](#) [6E17Y037SAJ220E](#)  
[6E17D025SAJ120](#) [6E17C015SAJ220](#) [6E17Y009SAJ220](#)