

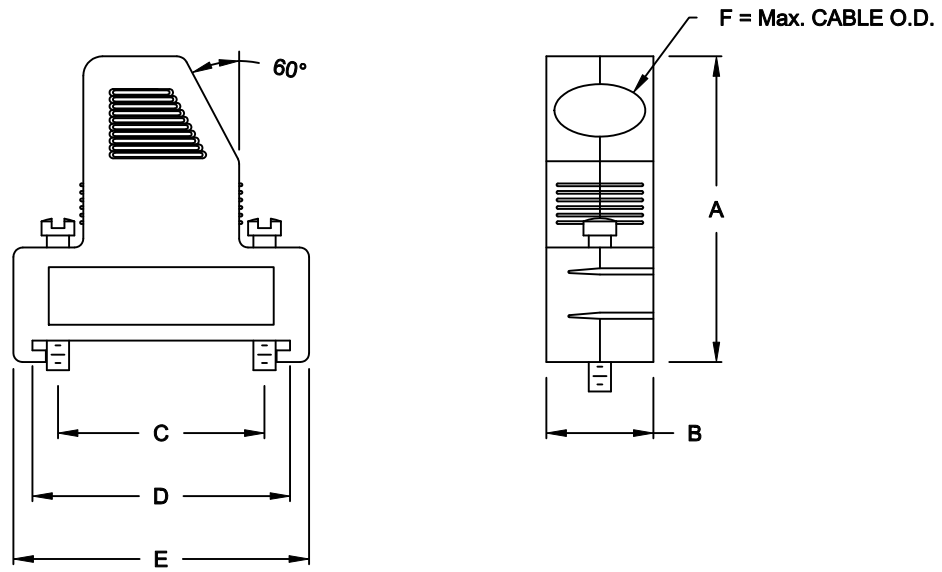
DESCRIPTION: 60° ENTRY - BLACK PLASTIC

**SPECIFICATIONS:**

MATERIAL: POLYAMID UL-RECOGNIZED  
UL 94-HB

**BACKSHELL KIT INCLUDES:**

- (2) BACKSHELL HALVES
- (1) STRAIN RELIEF CLAMP
- (2) STRAIN RELIEF SCREWS
- (2) JACKSCREWS



DIMENSIONS (IN.)						
No. OF PINS	A	B	C	D	E	F
09	1.457	0.496	0.984	1.228	1.409	0.315
15	1.496	0.496	1.311	1.555	1.736	0.315
25	1.614	0.496	1.854	2.098	2.280	0.354
37	1.614	0.496	2.500	2.744	2.925	0.354

**950-YYY-010R011**

SERIES \_\_\_\_\_

POSITIONS \_\_\_\_\_

009 \_\_\_\_\_

015 \_\_\_\_\_

025 \_\_\_\_\_

037 \_\_\_\_\_

MATERIAL \_\_\_\_\_

010 = PLASTIC \_\_\_\_\_

RoHS COMPLIANT \_\_\_\_\_

R = HIGH TEMP. PROCESS \_\_\_\_\_

COLOR \_\_\_\_\_

01 = BLACK \_\_\_\_\_

PUT-UP \_\_\_\_\_

1 = KIT \_\_\_\_\_

DO NOT SCALE FROM DRAWING

	THESE DRAWINGS AND SPECIFICATIONS ARE THE PROPERTY OF NorComp AND SHALL NOT BE REPRODUCED, COPIED OR USED AS THE BASIS FOR THE MANUFACTURE OF SALE OF APPARATUS WITHOUT WRITTEN PERMISSION.		DRAWN: <b>C. SMITH</b>	DATE: <b>03-26-07</b>
			CHECKED:	DATE:
<b>NorComp</b>		SCALE: <b>1 : 1</b>	SHEET <b>1</b> OF <b>1</b>	REV <b>2</b>
		DWG NO. <b>950-YYY-010R011</b>		

**RoHS COMPLIANT**

# Mouser Electronics

Authorized Distributor

Click to View Pricing, Inventory, Delivery & Lifecycle Information:

[NorComp:](#)

[950-025-010R011](#) [950-015-010R011](#) [950-037-010R011](#) [950-009-010R011](#)