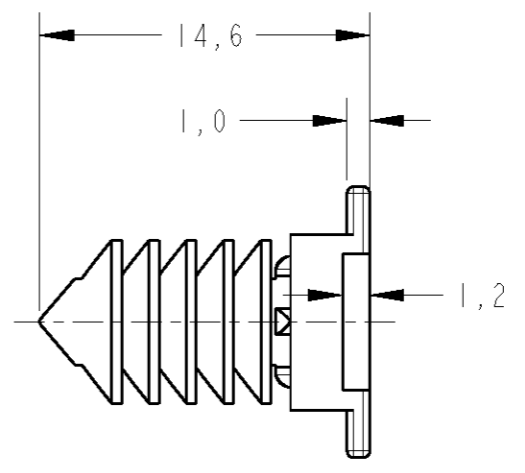
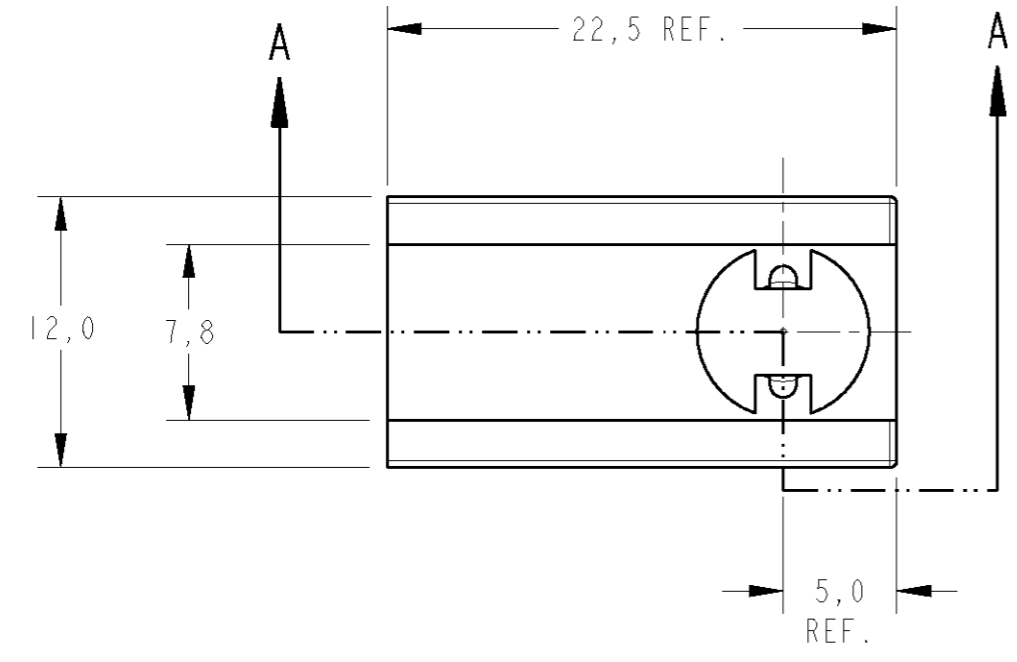


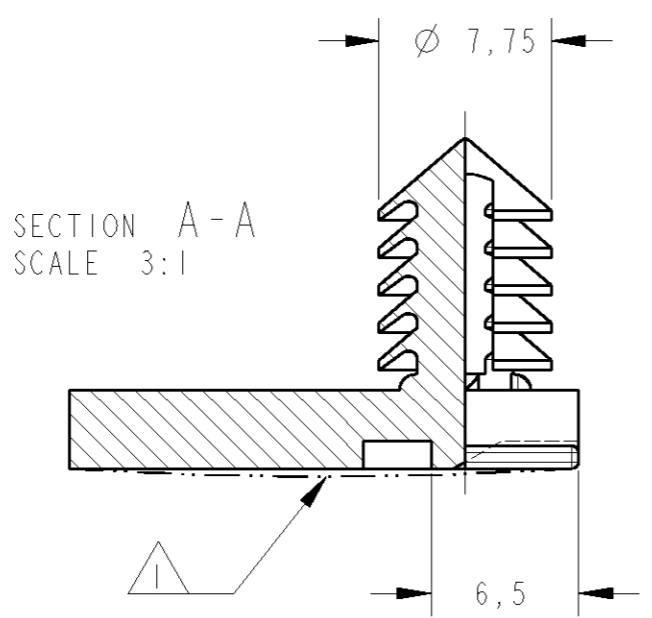
THIS DRAWING IS UNPUBLISHED. RELEASED FOR PUBLICATION
 © COPYRIGHT 19 BY AMP INCORPORATED. ALL RIGHTS RESERVED.

CAD
 DO NOT REVISE EXCEPT BY CAD

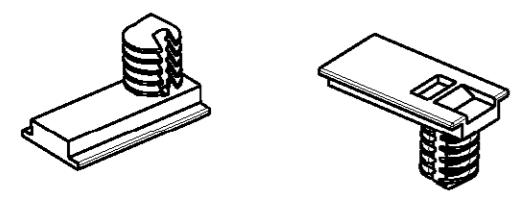
LOC	DIST	REVISIONS				
P	LTR	DESCRIPTION	DATE	DWN	APVD	
AP	-	0	RELEASED	09OCT00	AP	PLF



GRAVAÇÃO MARKING
LOGOTIPO AMP AMP LOGO
CÓDIGO PAÍS PRODUTOR MANUFACTURER COUNTRY CODE
NOMENCLATURA MATERIAL MATERIAL NOMENCLATURE
NÚMERO COMPONENTE AMP AMP COMPONENT NUMBER
NÚMERO CAVIDADE CAVITY NUMBER
PAÍS PRODUTOR MANUFACTURER COUNTRY
REV+ LETRA REV.DA PEÇA REV. + PART REV.LETTER



- △ - EMPENAMENTO PERMITIDO: 0.4 MÁX.
 - 2 - FURO PADRÃO DE MONTAGEM: 6.5±0.2.
 - 3 - ESPESSURA DA CHAPA: 0.56 A 5.10.
 - 4 - SIMILAR AO DESENHO AUTOLATINA DA PEÇA 547971904-C.
- △ - WARPAGE PERMITTED: 0.4 MAX.
 - 2 - ASSEMBLING STANDARD HOLE: 6.5±0.2.
 - 3 - PLATE THICKNESS: 0.56 TO 5.10.
 - 4 - SIMILAR TO AUTOLATINA DRAWING PART NUMBER 547971904-C.



THIS DRAWING IS A CONTROLLED DOCUMENT FOR AMP INCORPORATED. IT IS SUBJECT TO CHANGE AND THE CONTROLLING ENGINEERING ORGANIZATION SHOULD BE CONTACTED FOR THE LATEST REVISION.		DWN	A. PERUSSI	09OCT00	AMP AMP do Brasil LTDA. São Paulo, Brasil
DIMENSIONS: mm		CHK	P. L. FARIA	09OCT00	
TOLERANCES UNLESS OTHERWISE SPECIFIED:		APVD	M. RODRIGUES	09OCT00	
0 PLC ±- 1 PLC ±0,3 2 PLC ±- 3 PLC ±- 4 PLC ±- ANGLES ±1°		PRODUCT SPEC	-		
MATERIAL	SEE TABLE	FINISH	SEE TABLE	WEIGHT	-
CUSTOMER DRAWING				SIZE	A3
				CAGE CODE	00779
				DRAWING NO	C-493912
				RESTRICTED TO	-
				SCALE	4:1
				SHEET	1 OF 1
				REV	0

Mouser Electronics

Authorized Distributor

Click to View Pricing, Inventory, Delivery & Lifecycle Information:

[TE Connectivity:](#)

[493912-1](#)