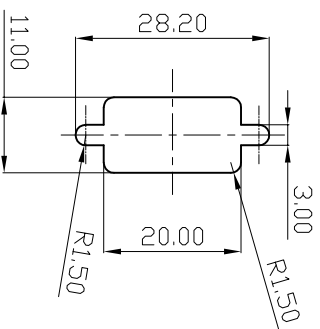
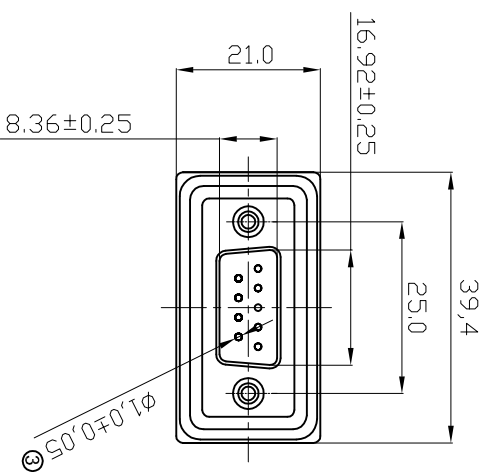
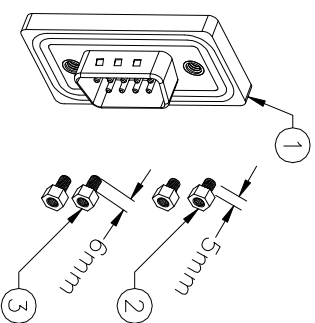
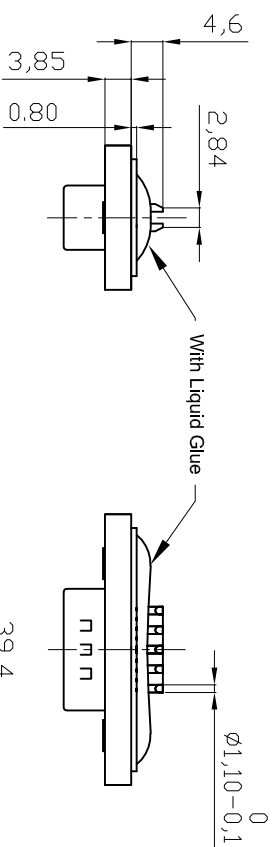


Panel Thickness
 Screw L=5.0 For Panel Thickness Under 1.2mm
 Screw L=6.0 For Panel Thickness Between 1.2-2.0mm



Recommended Panel Cut-Out



NOTES:

MATERIAL

1. Insulator Material: Black, NYLON+G/F
2. Contact Material : Copper Alloy
3. Plating : Gold Plating
4. Waterproof Rate: IP67
5. Applicable Wire Range: 22AWG-26AWG
6. Do Mating Test After Glued
7. Screw: copper Alloy, Nickel Plated, #4-40 UNC.

RoHS compliant
 Unit: mm

Scale	Free					
TOLERANCE						
X.X	±0.25				Drawn	18.12.2008
X.XX	±0.10				Approved	19.01.2018
X.XXX	±0.05	③	Cancel the LOGO and add dimension	19.01.2018	TOM	
DIM	TOL	②	Add description for screw	11.06.2015	Joanna	
ANGLE	±1°	①	Drawn	18.12.2008	JACK	
X.X°	±X°					
Angle	TOL	Id.	Modification	Date	Name	



Customer-No.	
ASSMANN WSW-No.	A-DS 09 LL-WP
Drawing-No.	ASS 3233 CO
Replace	rev03

1 2 3 4 5 6 7

A B C D E F G H