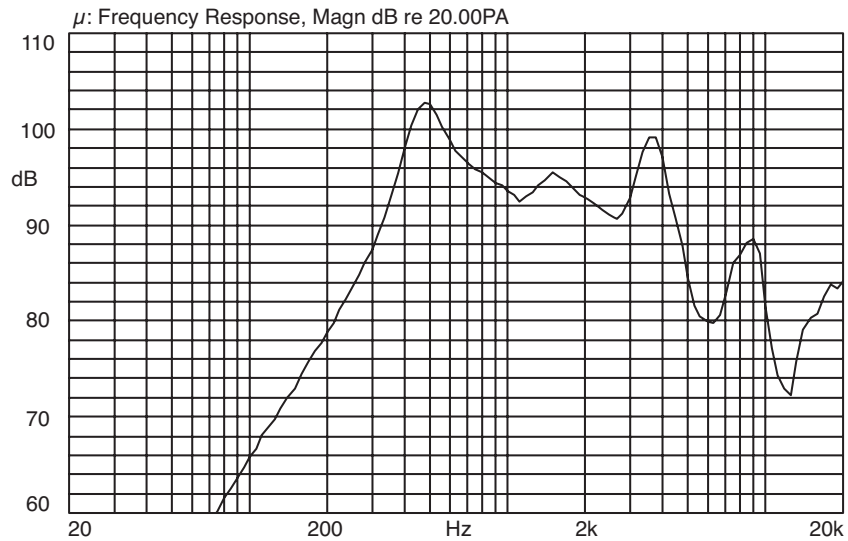
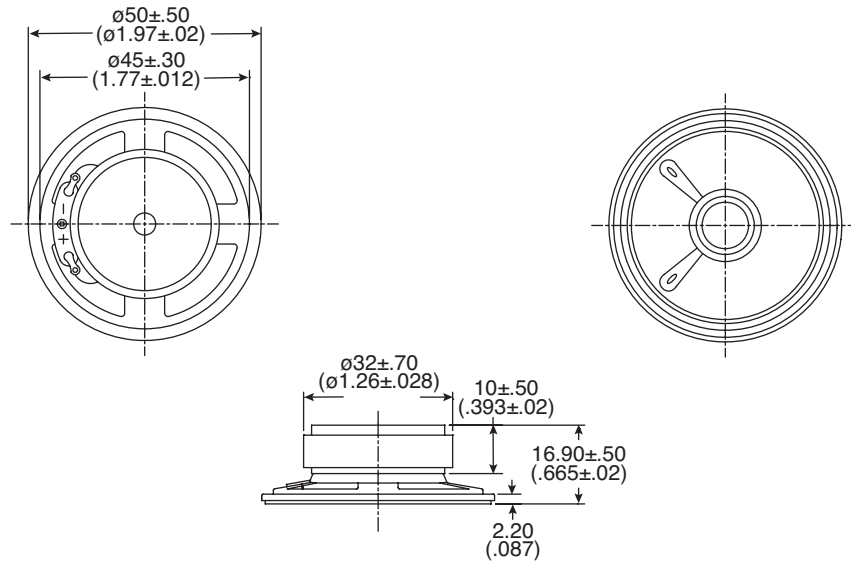


Part Number:

254-DS5084-RO



Dynamic Speaker

Electrical Specifications:

- Rated Input Power: 0.25W
- Impedance: $8\Omega \pm 15\%$ at 0.7K Hz
- Resonance Frequency: $450\text{Hz} \pm 20\%$ at F_0 , 1V
- Sensitivity (S.P.L.): 83 dB (W/m) ± 3 dB
96 dB (0.25W/0.1m) ± 3 dB
- Frequency Range: F_0 -4.5KHz

Material:

- Magnet: Ferrite

Note:

- RoHs Compliant

KT-400544

Mouser Electronics

Authorized Distributor

Click to View Pricing, Inventory, Delivery & Lifecycle Information:

[Kobitone:](#)

[254-DS5084-RO](#)