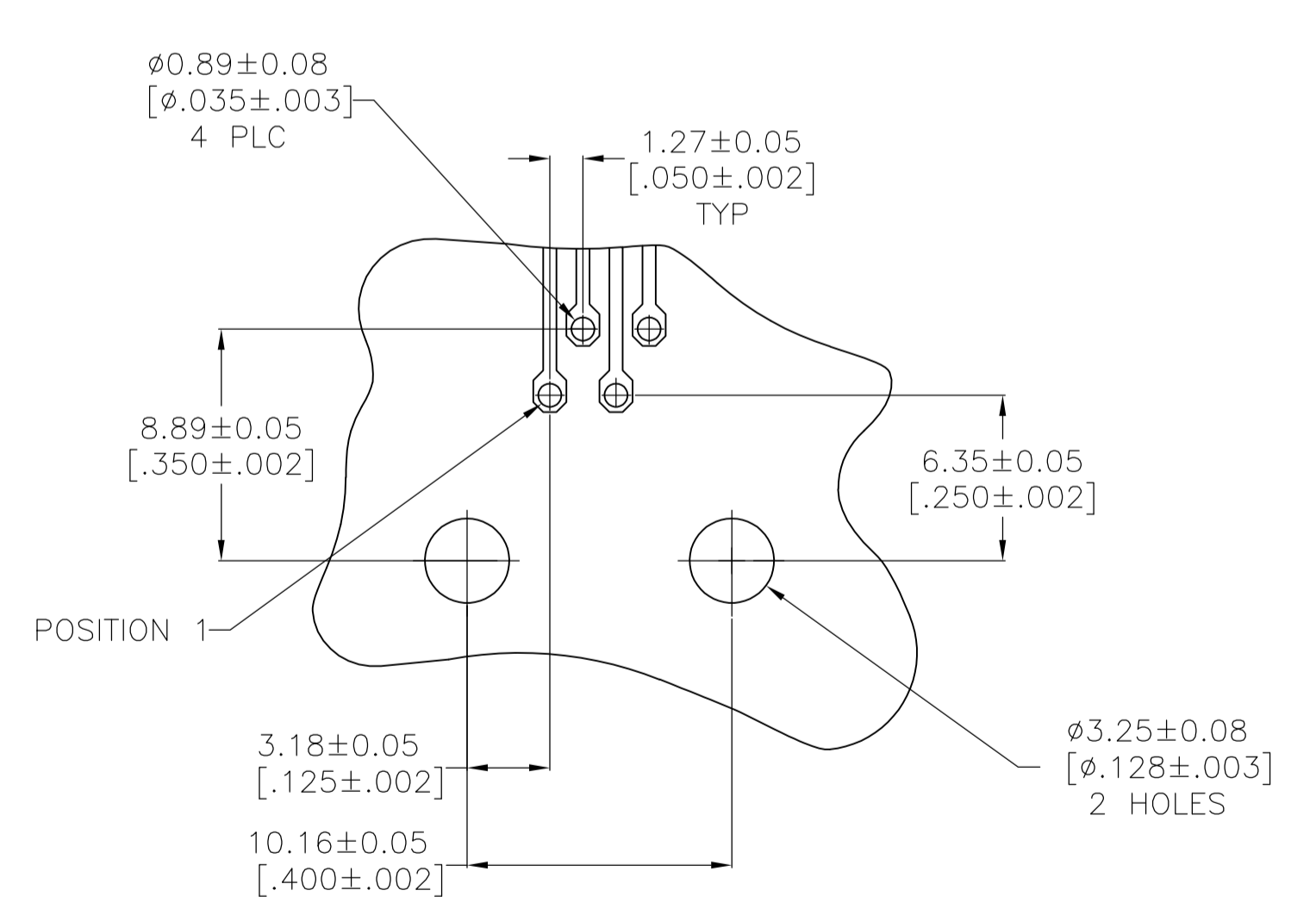
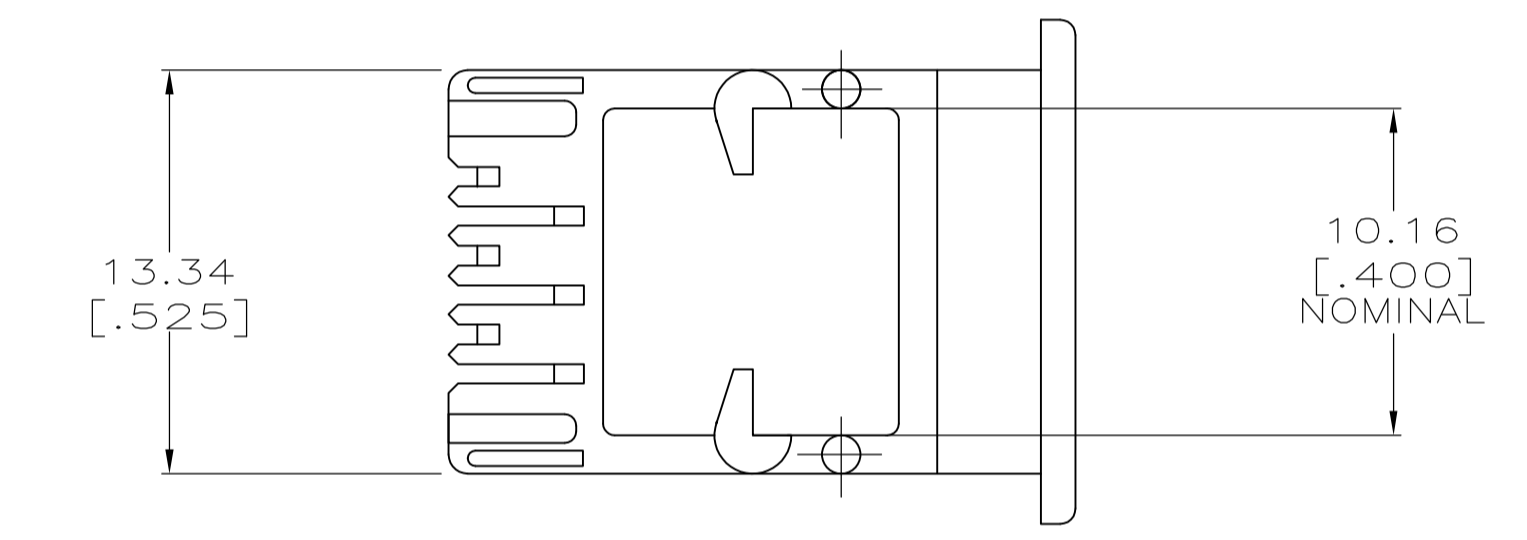
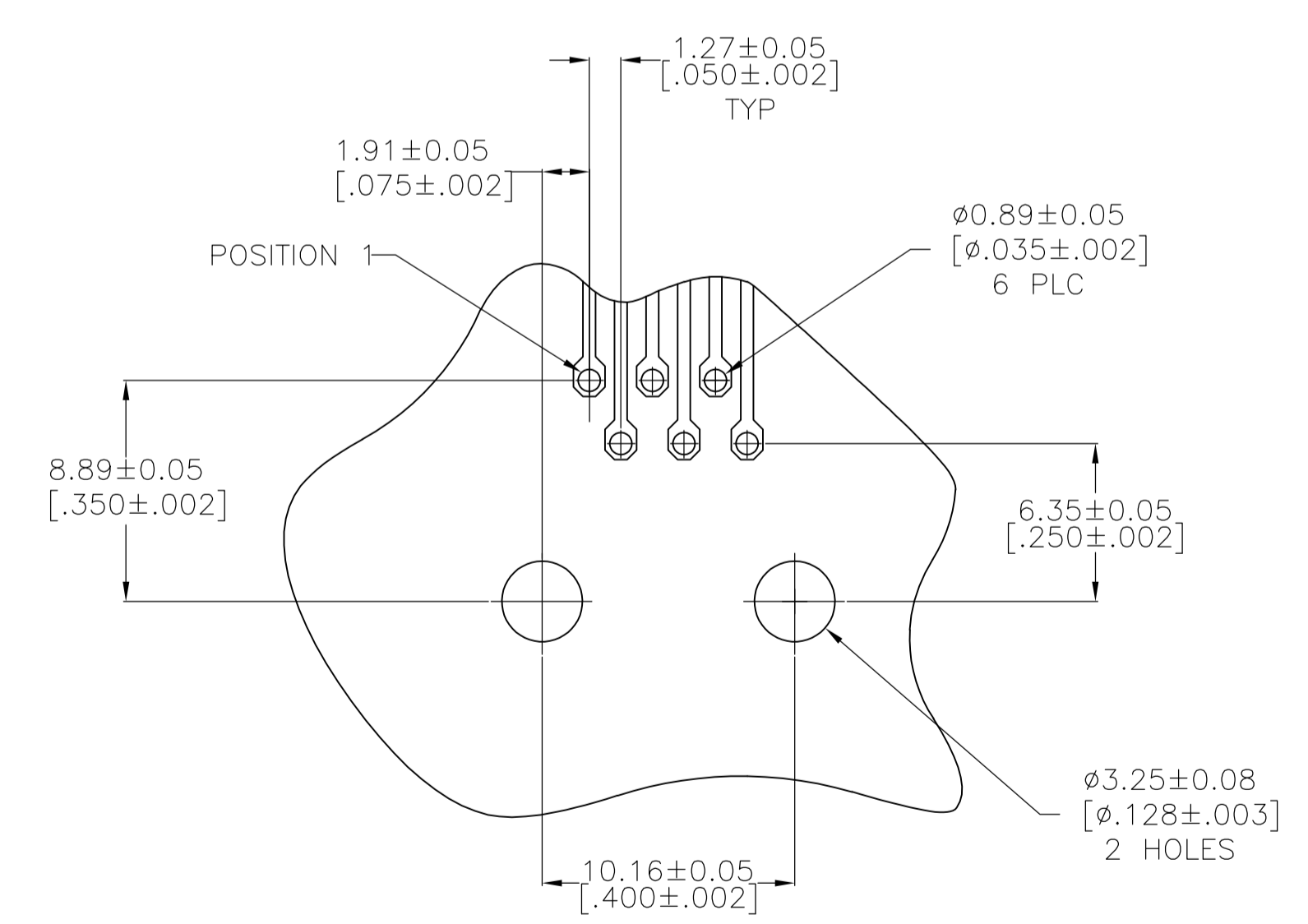


SUGGESTED PANEL CUTOUT GUIDELINES
 SCALE 1:1



RECOMMENDED PRINTED CIRCUIT BOARD LAYOUT
 FOR FOUR CONTACTS
 COMPONENT SIDE



RECOMMENDED PRINTED CIRCUIT BOARD LAYOUT
 FOR SIX CONTACTS
 COMPONENT SIDE

- 1 MATERIAL:
 HOUSING - PBT POLYESTER, BLACK.
 TERMINAL - 0.36 [.014] THICK PHOS BRONZE PLATED WITH 1.27µm [.000050] MINIMUM THICK HARD GOLD IN LOCALIZED GOLD PLATE AREA AND 3.81µm [.000150] THICK MATTE TIN IN SOLDER AREA OVER 1.27µm [.000050] MINIMUM THICK NICKEL UNDERPLATE.
- 2 CAVITY CONFORMS TO FCC RULES AND REGULATION PART 68 AND REA BULLETIN 345-81, PE-76 SPECIFICATION FOR MODULAR TELEPHONE HARDWARE.
- 3 ALL DIMENSION ARE MAXIMUM UNLESS OTHERWISE SPECIFIED.

| | |
|----------|-----------|
| 6 | 5520242-3 |
| 4 | 5520242-2 |
| CONTACTS | PART NO. |

| | | | | | |
|--|--|-----------------------------------|--|-------------------------------|--|
| THIS DRAWING IS A CONTROLLED DOCUMENT. | | DIN J. ALCORTA - 17JUN2005 DOCK#5 | | Tyco Electronics Corporation | |
| DIMENSIONS: mm [INCHES] | | CIK J. WESTMAN 17JUN2005 | | Harrisburg, PA 17105-3608 | |
| TOLERANCES UNLESS OTHERWISE SPECIFIED: | | APVD S. FLICKINGER 17JUN2005 | | NAME | |
| 0 PLC ± - | | PRODUCT SPEC | | PRINTED CIRCUIT BOARD MODULAR | |
| 1 PLC ± - | | APPLICATION SPEC | | JACK ASSEMBLY SIDE ENTRY, | |
| 2 PLC ± - | | 114-2048 | | 6 POSITION, FLANGED | |
| 3 PLC ± - | | SIZE | | CAGE CODE | |
| 4 PLC ± - | | A1 | | DRAWING NO | |
| ANGLES ± - | | WEIGHT | | RESTRICTED TO | |
| FINISH | | CUSTOMER DRAWING | | SCALE 4:1 SHEET 1 OF 1 REV C | |

Mouser Electronics

Authorized Distributor

Click to View Pricing, Inventory, Delivery & Lifecycle Information:

[TE Connectivity:](#)

[5520242-2](#)