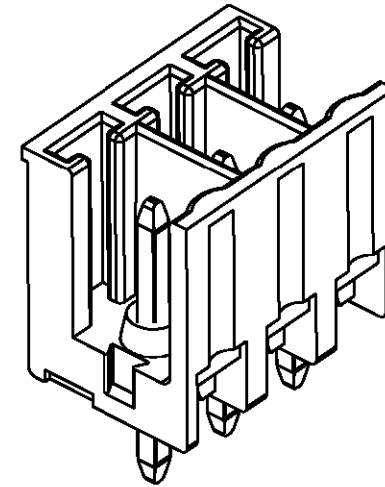
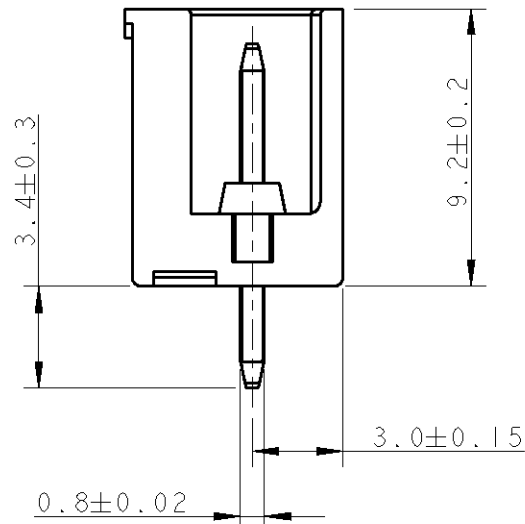
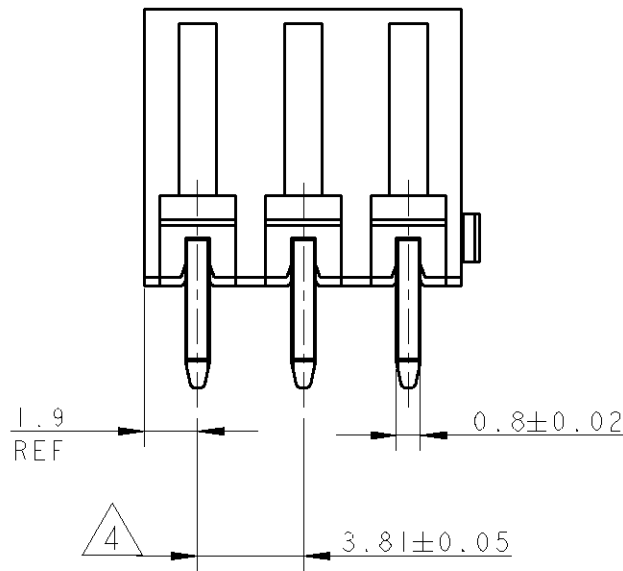


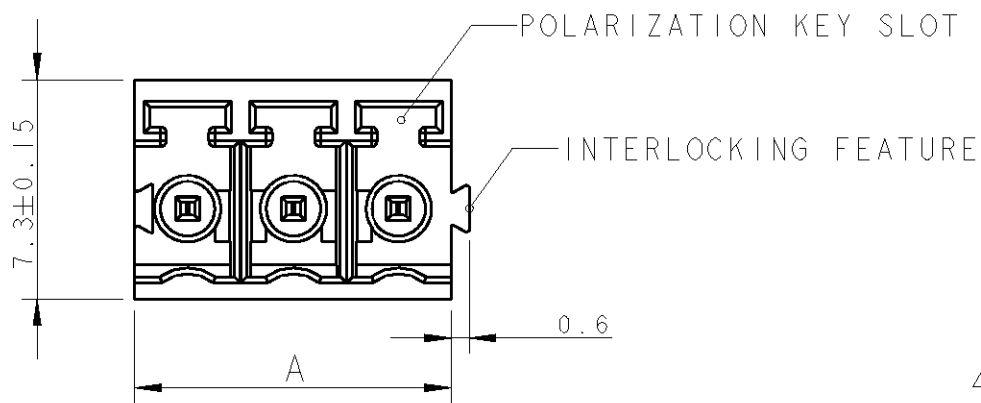
THIS DRAWING IS UNPUBLISHED. RELEASED FOR PUBLICATION 20
 © COPYRIGHT 20 BY TYCO ELECTRONICS CORPORATION. ALL RIGHTS RESERVED.

| LOC | DIST | REVISIONS | | | |
|-----|------|-------------|--------------------------|-----------|-------|
| P | LTR | DESCRIPTION | DATE | DWN | APVD |
| FT | 0 | B | REVISED PER 0G3B-0119-01 | 06FEB2002 | EZ DB |



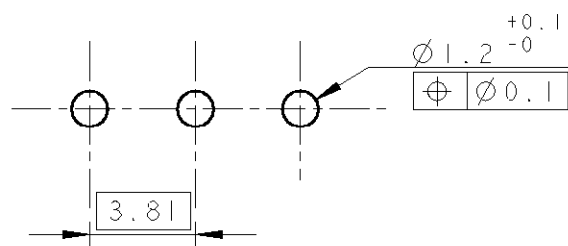
284518-3 AS SHOWN

| | | |
|-------|-----------|-------------|
| 95.25 | 25 | 2-284518-5 |
| 91.44 | 24 | 2-284518-4 |
| 87.63 | 23 | 2-284518-3 |
| 83.82 | 22 | 2-284518-2 |
| 80.01 | 21 | 2-284518-1 |
| 76.20 | 20 | 2-284518-0 |
| 72.39 | 19 | 1-284518-9 |
| 68.58 | 18 | 1-284518-8 |
| 64.77 | 17 | 1-284518-7 |
| 60.96 | 16 | 1-284518-6 |
| 57.15 | 15 | 1-284518-5 |
| 53.34 | 14 | 1-284518-4 |
| 49.53 | 13 | 1-284518-3 |
| 45.72 | 12 | 1-284518-2 |
| 41.91 | 11 | 1-284518-1 |
| 38.10 | 10 | 1-284518-0 |
| 34.29 | 9 | 284518-9 |
| 30.48 | 8 | 284518-8 |
| 26.67 | 7 | 284518-7 |
| 22.86 | 6 | 284518-6 |
| 19.05 | 5 | 284518-5 |
| 15.24 | 4 | 284518-4 |
| 11.43 | 3 | 284518-3 |
| 7.62 | 2 | 284518-2 |
| DIM A | NO OF POS | PART NUMBER |



- 1 MATERIALS AND FINISH
 HOUSING : PA 6.6, UL 94-V0, COLOR GREEN
 TERMINAL : PHOSPHOR BRONZE, TIN PLATED
- 2 END-TO-END STACKABLE W/INTERLOCK WITHOUT LOSS OF CENTERLINE SPACING
- 3 SUITABLE FOR 1.6-2.4 mm. PC BOARD THICKNESS
- 4 NOT CUMULATIVE TOLERANCE

RECOMMENDED PC BOARD LAYOUT



| | | | | | |
|---|--|--|--|--|--|
| <small>THIS DRAWING IS A CONTROLLED DOCUMENT FOR TYCO ELECTRONICS CORPORATION IT IS SUBJECT TO CHANGE AND THE CONTROLLING ENGINEERING ORGANIZATION SHOULD BE CONTACTED FOR THE LATEST REVISION.</small> | | DWN 06FEB2002 E. ZANOLINI CHK 06FEB2002 E. ZANOLINI APVD 06FEB2002 D. BIEVENOUR | | BUCHANAN Tyco Electronics Harrisburg, PA 17105-3608 | |
| DIMENSIONS: mm | | TOLERANCES UNLESS OTHERWISE SPECIFIED: 0 PLC ±- 1 PLC ±.3 2 PLC ±.25 3 PLC ±- 4 PLC ±- ANGLES ±2 | | PRODUCT SPEC 108-20166 APPLICATION SPEC 114-20079 | |
| MATERIAL | | FINISH | | NAME TERMINAL BLOCK, HEADER ASSEMBLY STRAIGHT, OPEN ENDS STACKING W/INTERLOCK, 3.81mm PITCH | |
| | | WEIGHT - | | SIZE A3 CAGE CODE 00779 DRAWING NO C-284518 RESTRICTED TO - | |
| CUSTOMER DRAWING | | | | SCALE 4:1 SHEET 1 OF 1 REV B | |

Mouser Electronics

Authorized Distributor

Click to View Pricing, Inventory, Delivery & Lifecycle Information:

[TE Connectivity:](#)

[284518-2](#)