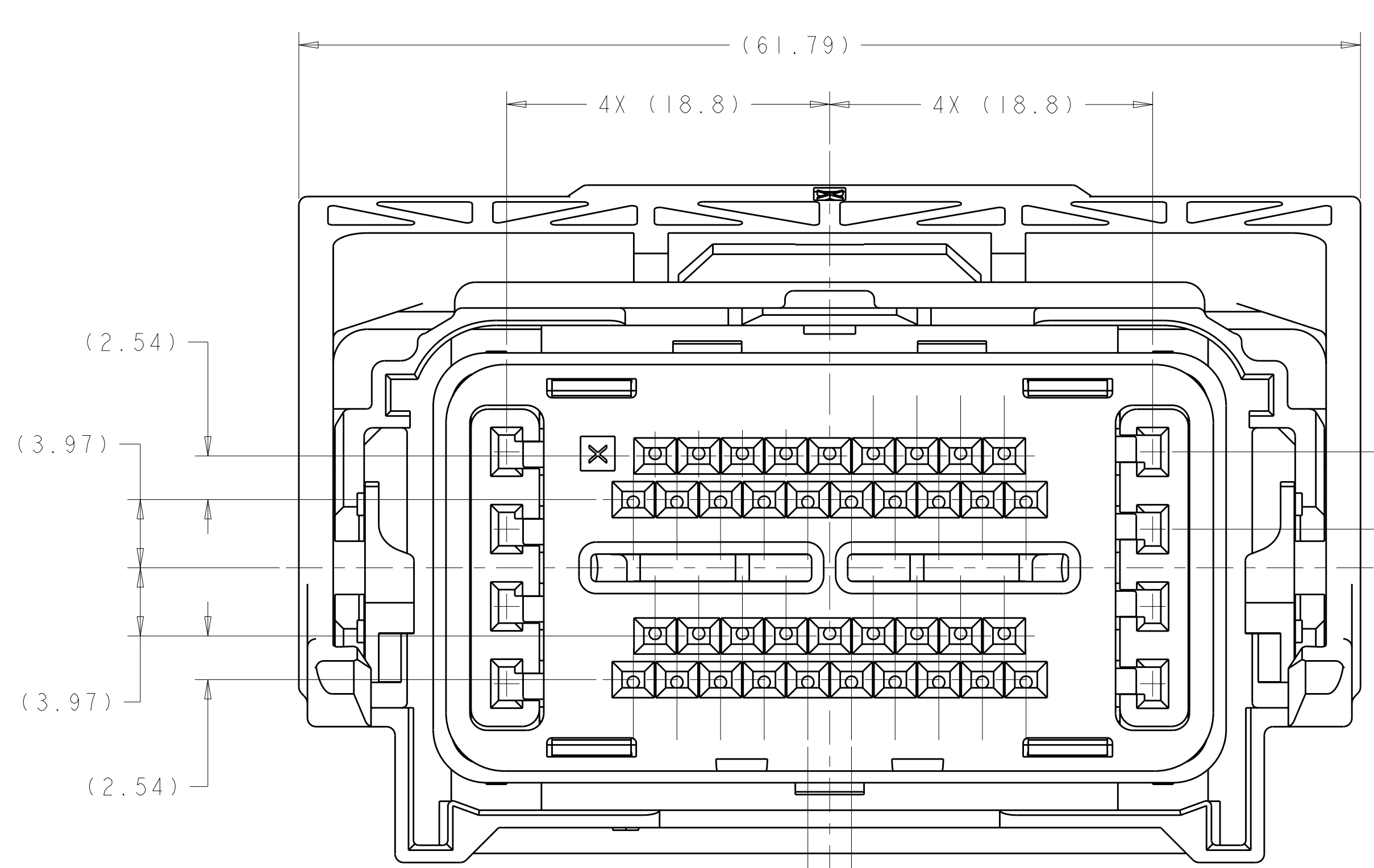
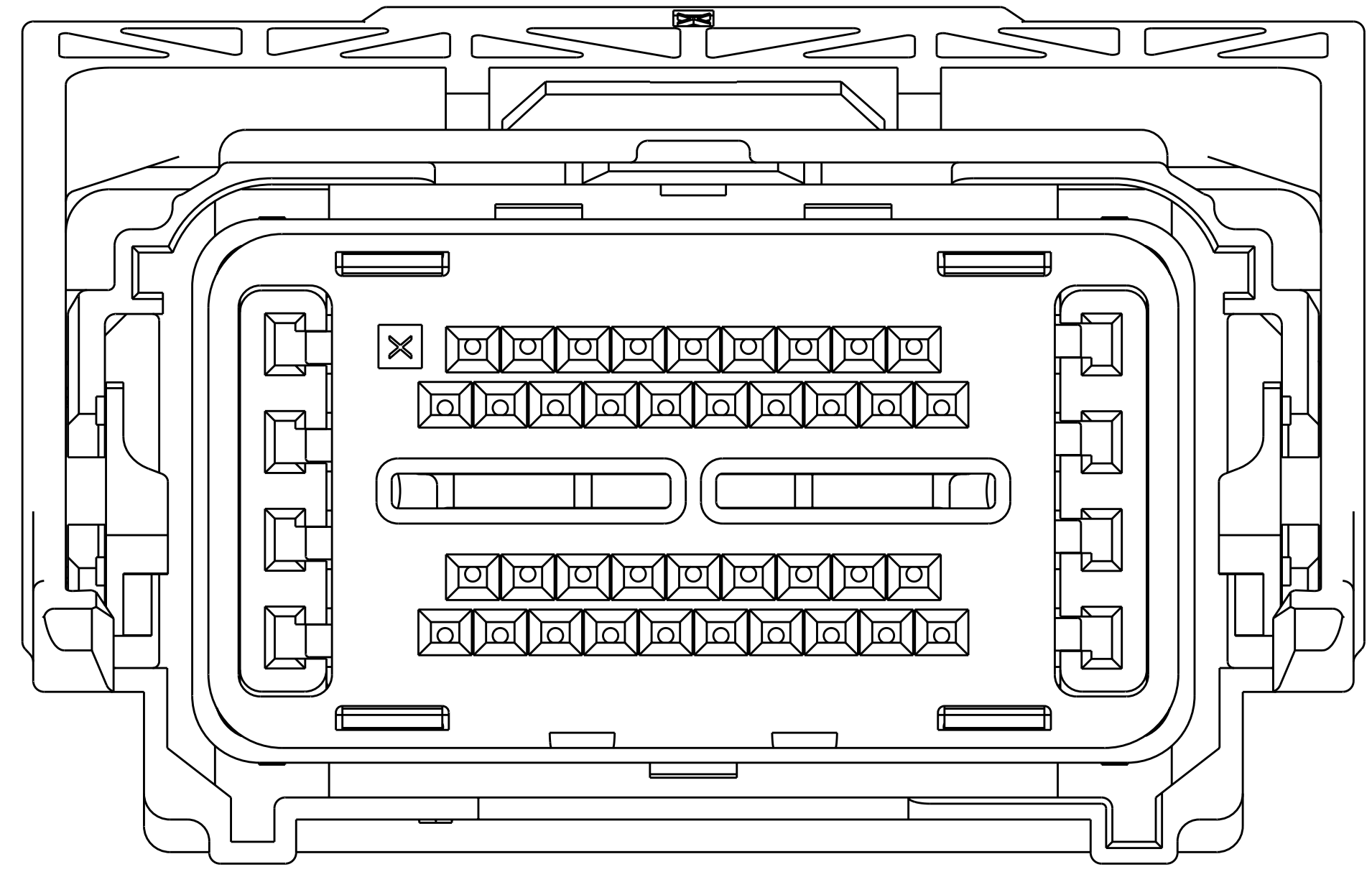


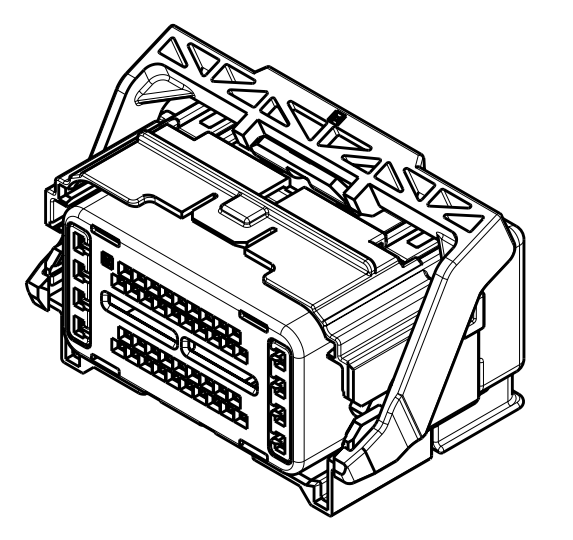
REV	DATE	DESCRIPTION	DATE	BY	APP'D
S10	23APR2009	REVISED PER ECO-09-009758	23APR2009	DLD	DCM
S11	29DEC2009	REVISED PER ECO-09-028550	29DEC2009	DLD	DCM



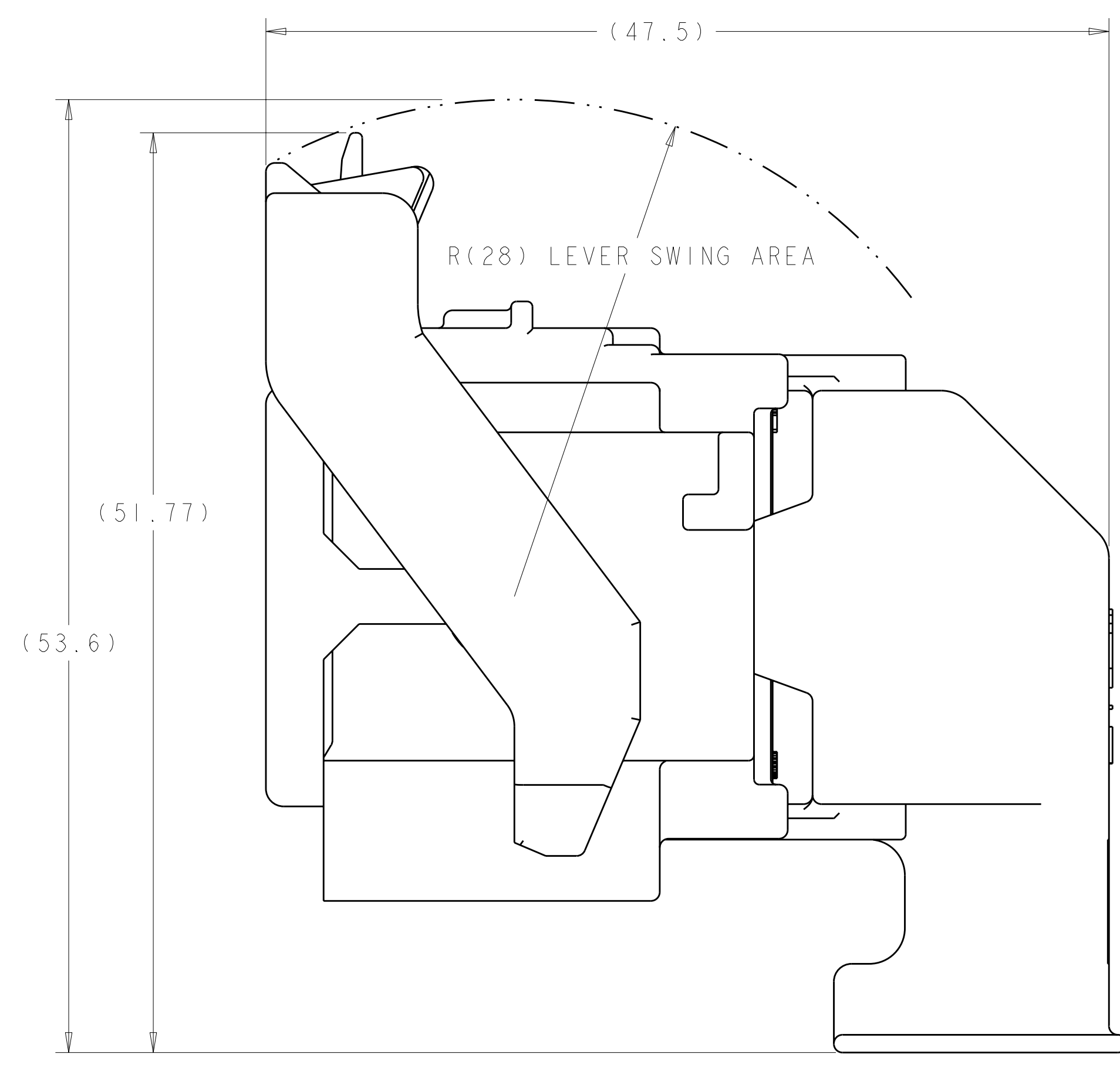
KEYING OPTION "A"
1438082-1



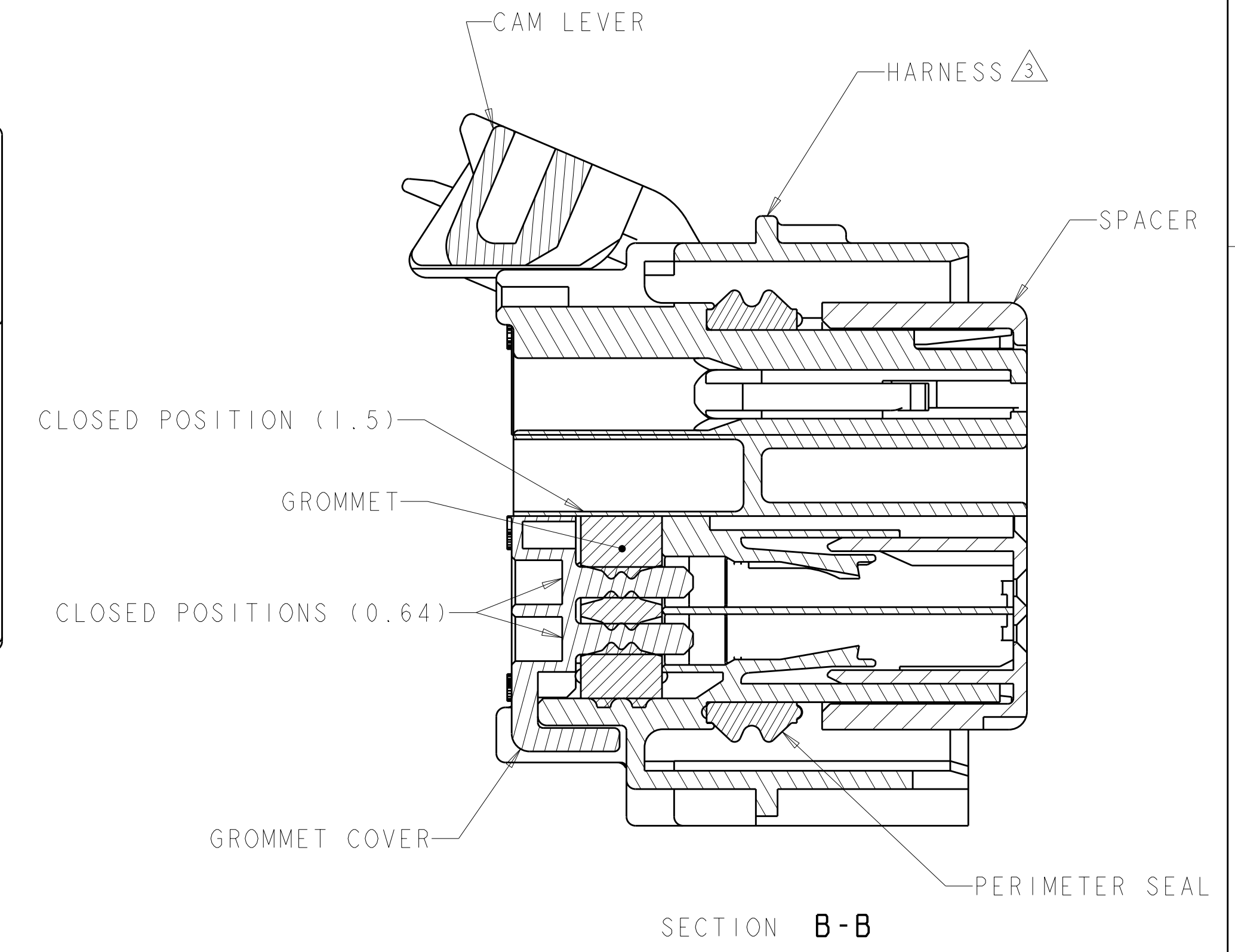
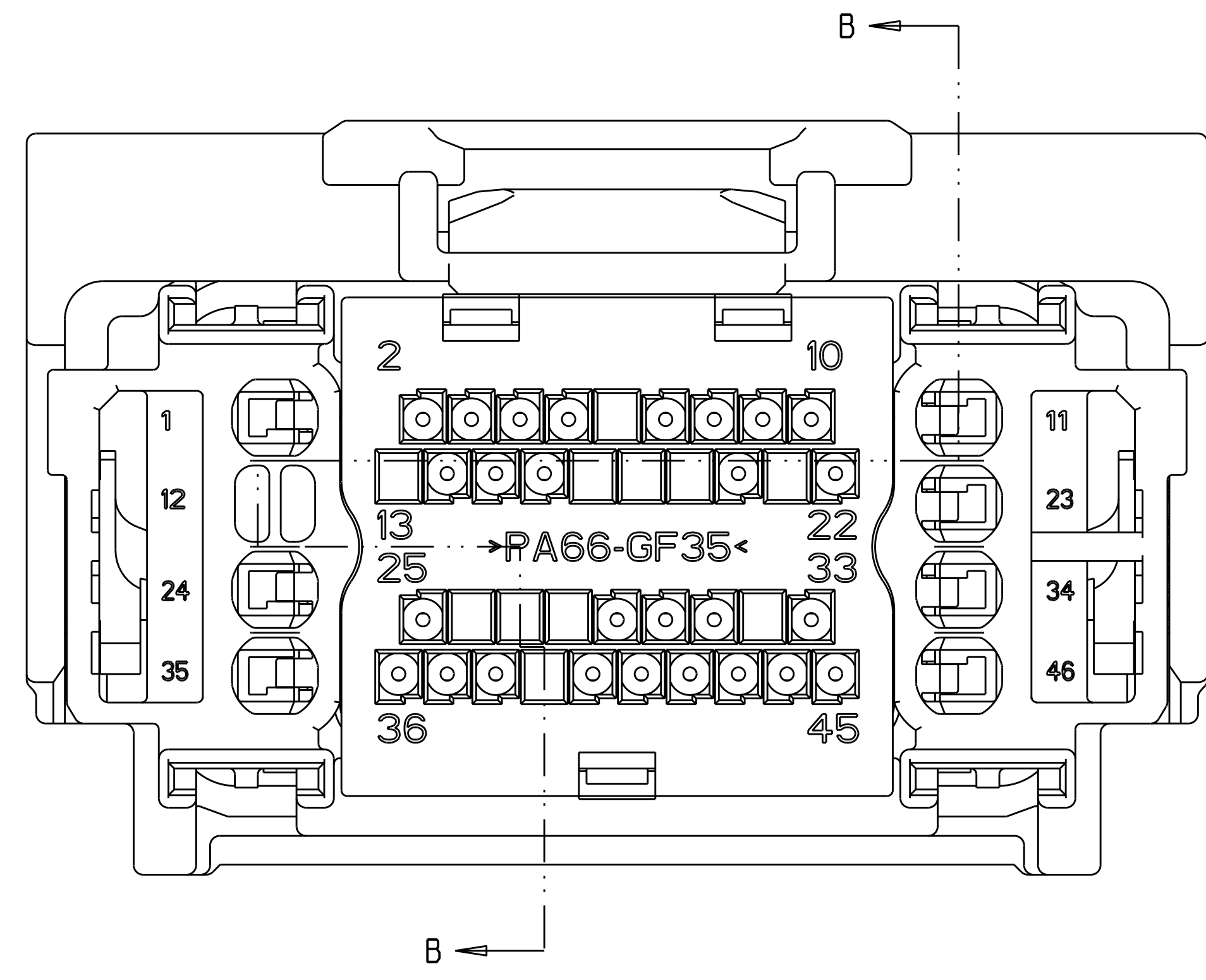
KEYING OPTION "B"
1438082-2



SCALE 1:1



SHOWN WITH CAM LEVER AND SPACER
IN LOADED POSITION WITH
OPTIONAL WIRESHIELD



SECTION B-B

- MATERIAL:
 - HARNESS - 35% GLASS FILLED PA66, BLACK
 - ALT MAT'L: HARNESS - 30% GLASS FILLED sPS, BLACK
 - SPACER - 40% GLASS FILLED PPS+PA66, RED
 - ALT MAT'L: 30% GLASS FILLED sPS, RED
 - ALT MAT'L: 35% GLASS FILLED PA66, RED
 - COVER - 35% GLASS FILLED PA66, BLACK
 - ALT MAT'L: COVER - 30% GLASS FILLED LCP, BLACK
 - CAM LEVER - 35% GLASS FILLED NYLON, GRAY
 - GROMMET - SILICONE, BROWN
 - PERIMETER SEAL - SILICONE, GREEN

- 2. CAM LEVER AND SPACER ARE SHIPPED IN PRE-LATCH POSITION.
- SEE PINOUT CHART ON SHEETS 2, 3 AND 4 FOR CLOSED CIRCUIT CONFIGURATIONS.
- CAVITIES WITH A NUMERIC SYMBOL INDICATES CLOSED TERMINAL LOCATIONS. BLANK CAVITIES INDICATE OPEN TERMINAL HOLE LOCATIONS.

SEE PINOUT CHARTS
PART NUMBER

DIMENSIONS: mm 		TOLERANCES UNLESS OTHERWISE SPECIFIED: 9 PLC ±0.3 1 PLC ±0.10 5 PLC ±0.15 4 PLC ±0.2 ANGLES ±°		DWN R. VESTAL 01AUG2003 CHK D. STRAUSSER 01AUG2003 APVD D. STRAUSSER 01AUG2003 PRODUCT SPEC APPLICATION SPEC WEIGHT CUSTOMER DRAWING		Tyco Electronics Harrisburg, PA 17105-3608 NAME: 46 WAY PCM CONNECTOR HARNESS ASSEMBLY SIZE: 00779 C=1438082 SCALE: 4:1 SHEET 1 OF 5		RESTRICTED TO	
--------------------	--	---	--	--	--	--	--	---------------	--

REV	DATE	DESCRIPTION	DATE	DWN	APVD
-	-	SEE SHEET 1	-	-	-

LOC	DIST	P	LTB	DESCRIPTION	DATE	DWN	APVD																																								
45	44	43	42	41	38	27	19	7	5	7-1438735-7	2LIT-14A464-TD-086																																				
44	44	42			38	27		7	5	7-1438735-6	2LIT-14A464-TD-085																																				
45	44	43	42	41	38		19	7	5	4	7-1438735-5	2LIT-14A464-TD-084																																			
44	44	42			38		19	7	5	4	7-1438735-4	2LIT-14A464-TD-083																																			
44	43	42	41		38			7	5	4	7-1438735-3	2LIT-14A464-TD-082																																			
44	44	42			38	27	22	7	5	4	7-1438735-2	2LIT-14A464-TD-081																																			
44	44	42			38			7	5	4	7-1438735-1	2LIT-14A464-TD-080																																			
	43	42				26		7	6	4	3	7-1438735-0	2LIT-14A464-TD-079																																		
						26		7	6		3	6-1438735-9	2LIT-14A464-TD-078																																		
44	43	42				26		7	6		4	6-1438735-8	2LIT-14A464-TD-077																																		
45	44	43	42	41	38		19	7	5			6-1438735-6	2LIT-14A464-TD-076																																		
44	44	42			38		19	7	5			6-1438735-5	2LIT-14A464-TD-075																																		
44	43	42	41		38		19	7	5			6-1438735-4	2LIT-14A464-TD-074																																		
44					38	27	22	19		8	6	6-1438735-0	2LIT-14A464-TD-073																																		
44					38	27	22	19		8	7	5	5-1438735-9	2LIT-14A464-TD-072																																	
44						26	22	19			6		5-1438735-8	2LIT-14A464-TD-071																																	
44						26	22	19		7	6		5-1438735-7	2LIT-14A464-TD-070																																	
44					38	27	26	22	19		6		5-1438735-6	2LIT-14A464-TD-069																																	
44					38	27	26	22	19		7	6	5-1438735-5	2LIT-14A464-TD-068																																	
44						26			19		7	6	5-1438735-4	2LIT-14A464-TD-067																																	
44						26			19		6		5-1438735-3	2LIT-14A464-TD-066																																	
	43	42				26				7	6	4	5-1438735-2	2LIT-14A464-TD-065																																	
						26				7	6		5-1438735-1	2LIT-14A464-TD-064																																	
44	42				38	27	22			7	5		4-1438735-6	2LIT-14A464-TD-063																																	
44	42				38					7	5		4-1438735-5	2LIT-14A464-TD-062																																	
44	42				38	27	26	22	19		8	6	4-1438735-4	2LIT-14A464-TD-061																																	
44	42				38	27	26	22	19		8	7	6	4-1438735-3	2LIT-14A464-TD-060																																
44						26			19		8	7	6	4-1438735-2	2LIT-14A464-TD-059																																
44						26			19		8	6		4-1438735-1	2LIT-14A464-TD-058																																
	43	42				26				8	7	6	5	4-1438735-0	2LIT-14A464-TD-057																																
						26				8	7	6		3-1438735-9	2LIT-14A464-TD-056																																
46	45	44	43			34	33	32	31	27	25	20	16	14	13	12	10	9	8	7	6	5	4	3	2	1	3-1438735-4	2LIT-14A464-TD-055																			
46	45	44	43			34	33	32	31	27	25	20	16	14	13	12	10	9	8	7	6	5	4	3	2	1	2-1438735-7	2LIT-14A464-TD-054																			
46	45	44	43	42	40		35	34	33	32	31	28		24		21	19						5	4			1	2-1438735-3	2LIT-14A464-TD-053																		
45	44	43	42	40			33	32	31	28						21	19						5	4				2-1438735-2	2LIT-14A464-TD-052																		
44	44	42			38					27	26	22										7	5					1438735-7	2LIT-14A464-TD-051																		
				40	39	38		35	34				24		21		18											1438735-6	2LIT-14A464-TD-050																		
44	44	42			38					27	26	22																1438735-5	2LIT-14A464-TD-049																		
44	44	42			38					26	22																	1438735-4	2LIT-14A464-TD-048																		
44	44	42			38					26													7	5				1438735-3	2LIT-14A464-TD-047																		
44	44	42			38					26																		1438735-2	2LIT-14A464-TD-046																		
44	44				38					29	28	26										7			3			1438735-1	2LIT-14A464-TD-045																		
46	45	44	43	42	41	40	39	38	37	36	35	34	33	32	31	30	29	28	27	26	25	24	23	22	21	20	19	18	17	16	15	14	13	12	11	10	9	8	7	6	5	4	3	2	1		
TERMINAL HOLE POSITION																												PART NUMBER	FORD PART NUMBER																		
PIN-OUT CHART KEYING OPTION "B"																																															

THIS DRAWING IS UNPUBLISHED. RELEASED FOR PUBLICATION 20. THIS IS SUBJECT TO CHANGE WITHOUT NOTICE AND IS NOT VALID FOR CONSTRUCTION OR FABRICATION UNLESS YOU CONTACT US FOR THE LATEST REVISION.

DIMENSIONS: mm	TOLERANCES UNLESS OTHERWISE SPECIFIED: 9 PLC ±.3 1 PLC ±0.3 5 PLC ±.10 4 PLC ±. ANGLES ±°	DWN: A. HOLT 22OCT2007 CHK: S. MANKARYOS 22OCT2007 APVD: S. MANKARYOS 22OCT2007	NAME: S. MANKARYOS
MATERIAL: SEE TABLE	FINISH: SEE TABLE	PRODUCT SPEC: APPLICATION SPEC:	RESTRICTED TO:
WEIGHT: -	SCALE: 4:1	SHEET: 5 OF 5	REV: 1
CUSTOMER DRAWING	SIZE: A1	CAGE CODE: 00779	DRAWING NO: 1438082

Tyco Electronics
Tyco Electronics
Harrisburg, PA 17105-3608

46 WAY PCM
CONNECTOR HARNESS ASSEMBLY

SCALE 4:1 SHEET 5 OF 5 REV 1

Mouser Electronics

Authorized Distributor

Click to View Pricing, Inventory, Delivery & Lifecycle Information:

[TE Connectivity:](#)

[1-1438735-5](#)