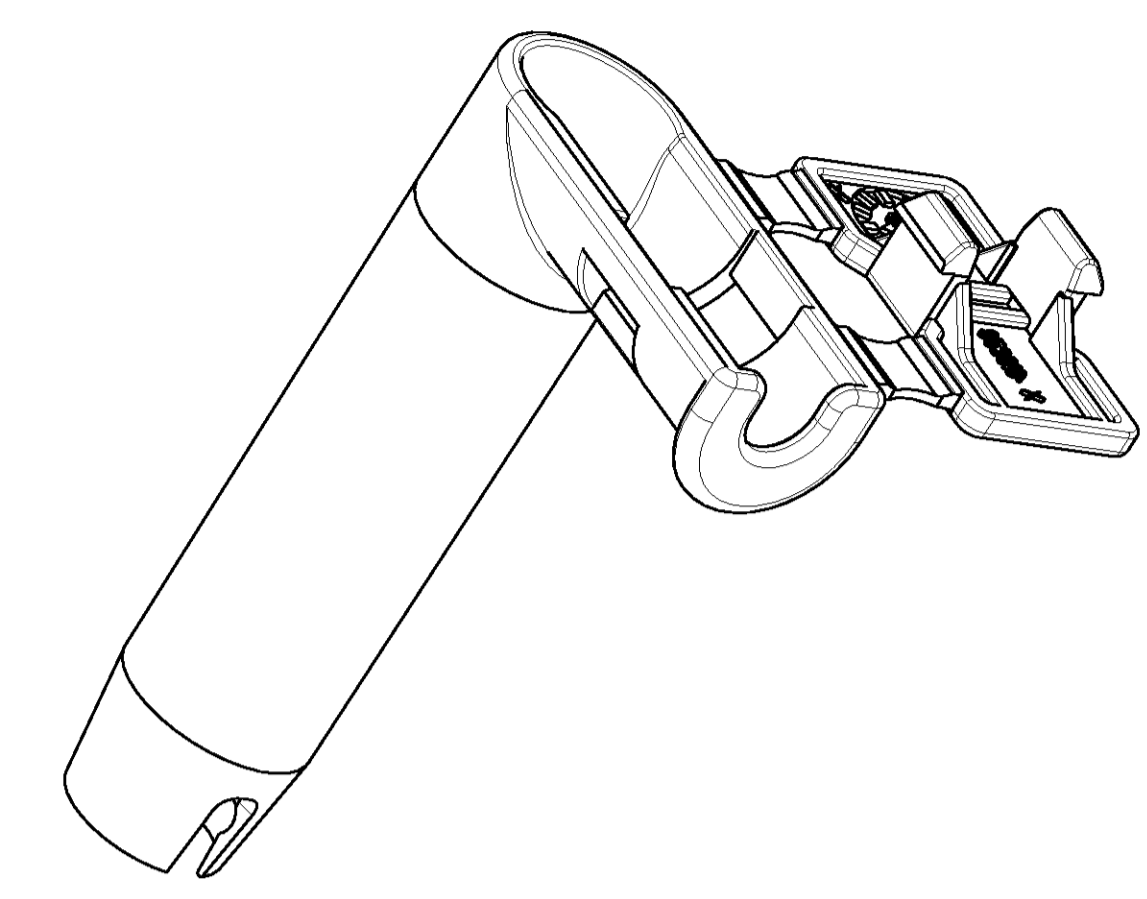
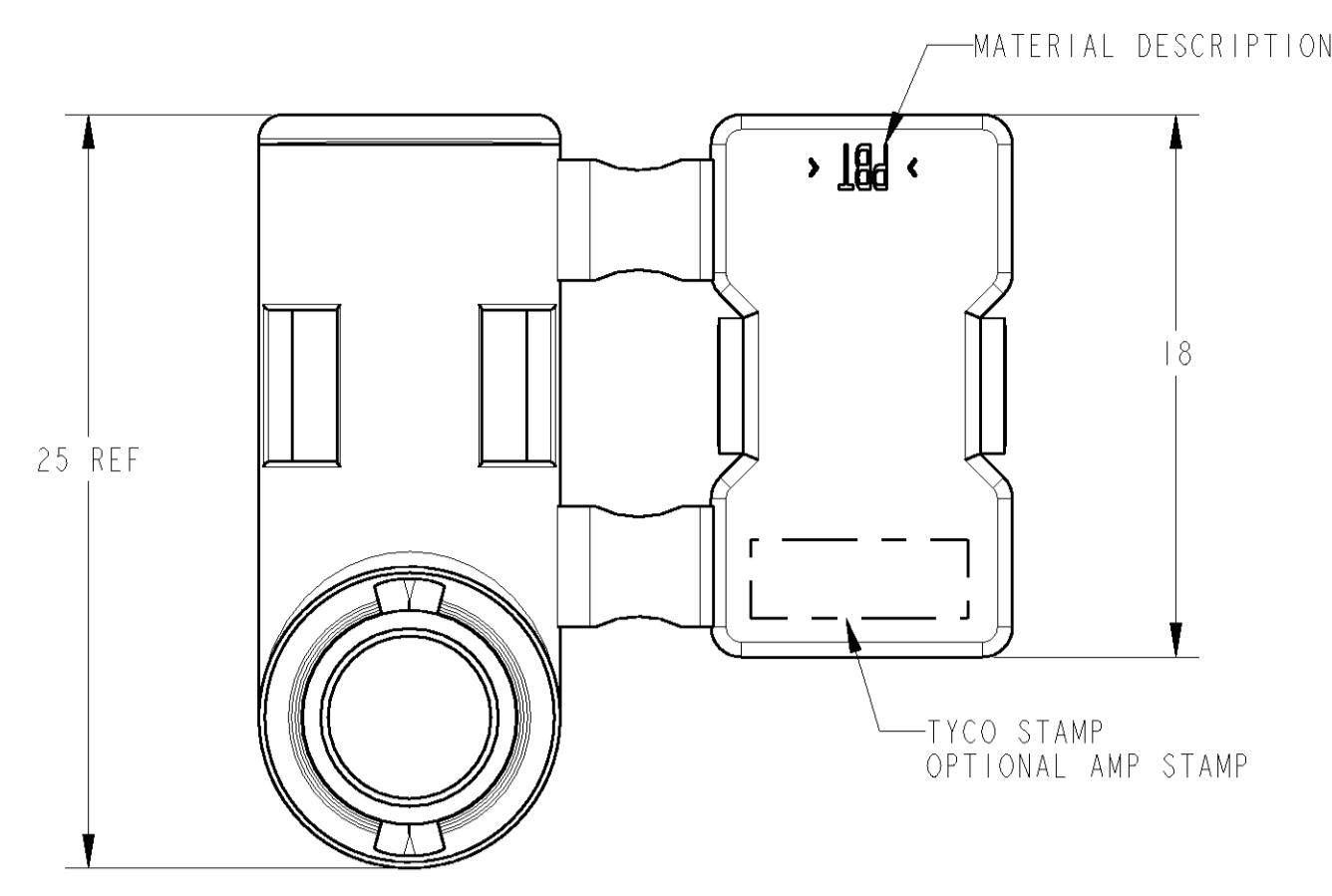
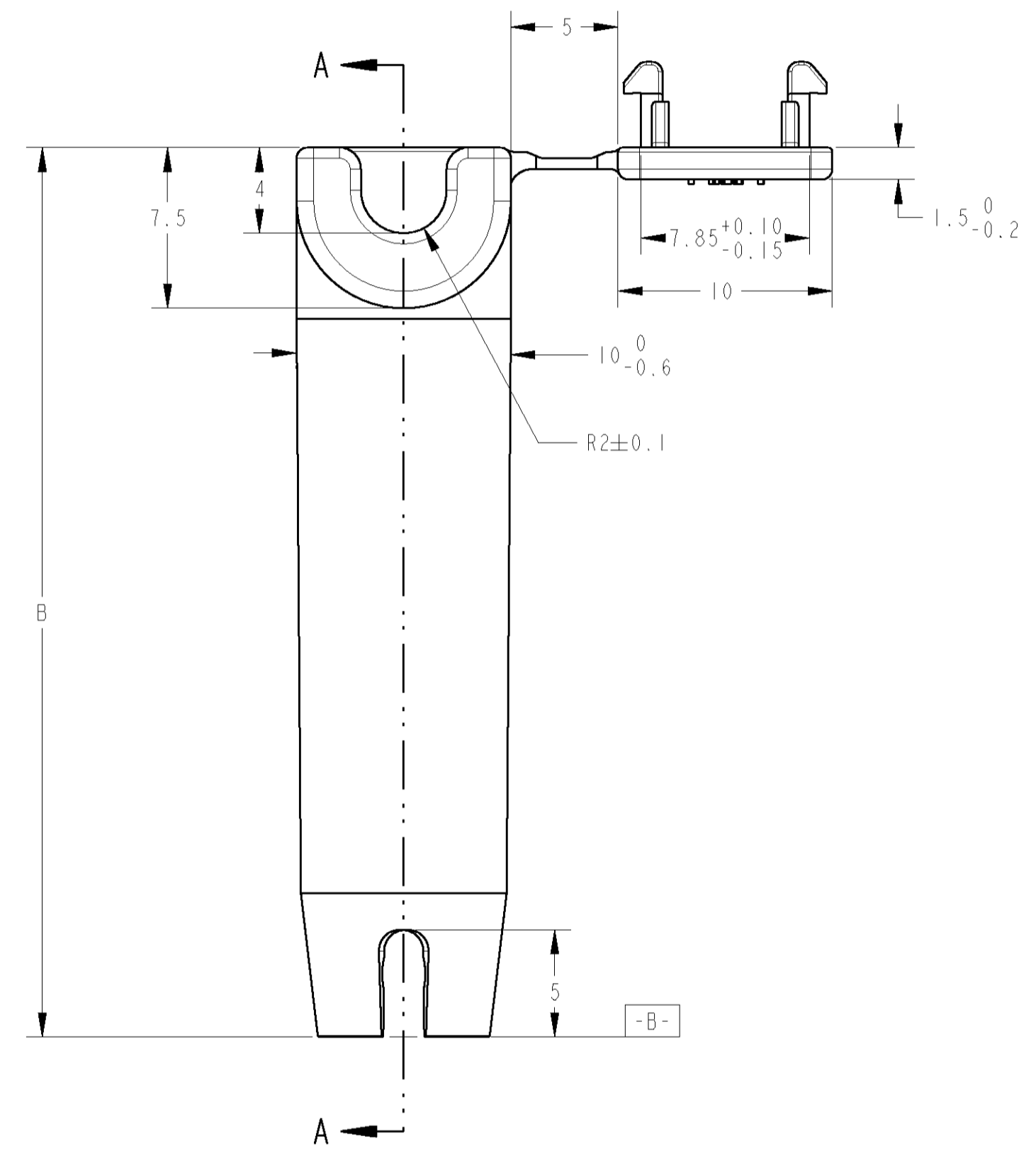
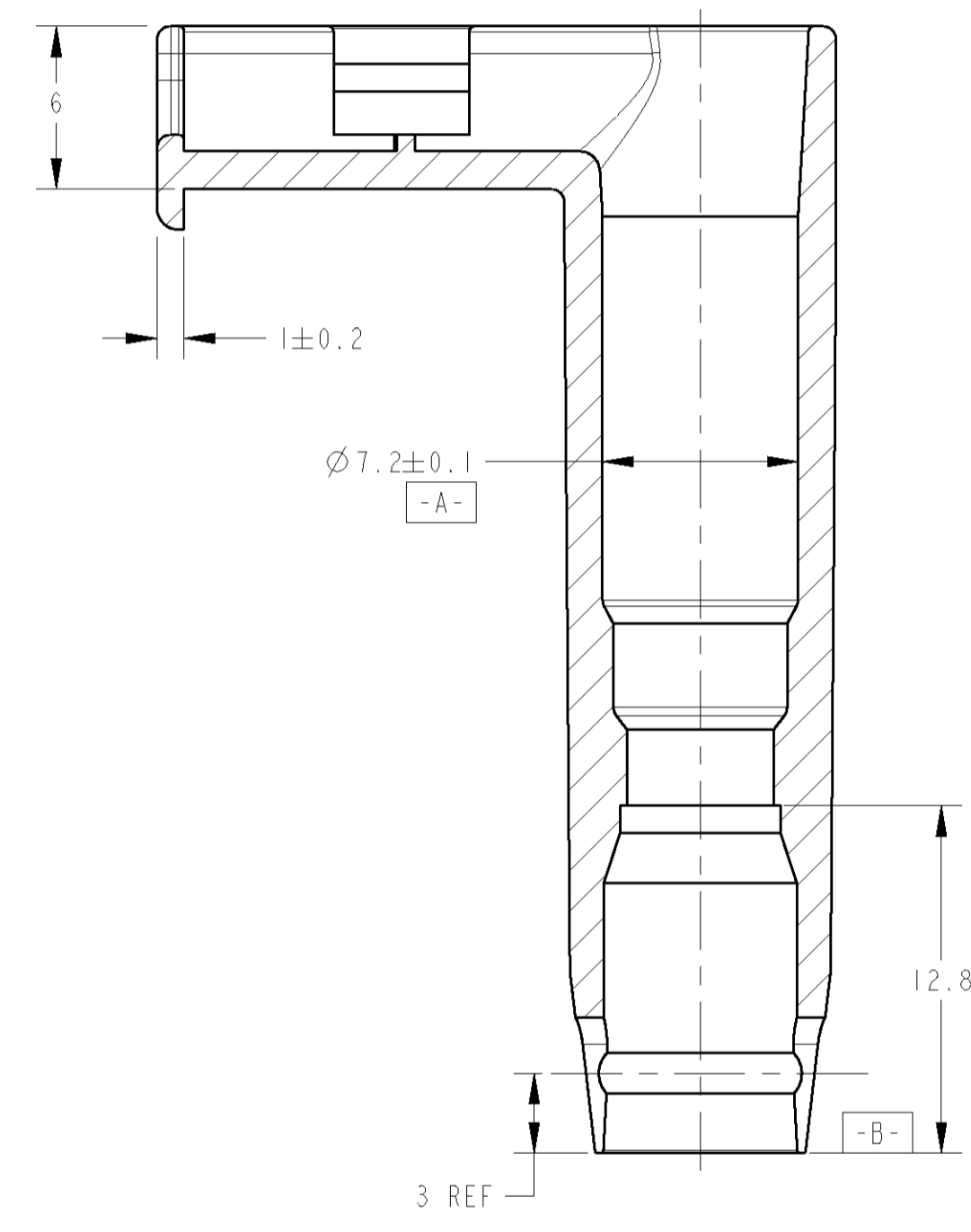


LOC	DIST	REVISIONS						
F	7	P	LTB	REV	DESCRIPTION MODIFICATIONS	DATE	DWN BESS	APVD APP
		A			CAVITY MOVING	30OCT2001	SR	JJR
		B			HINGE MODIFICATION	24JUN2005	AR	JPP
		C			DIMENSION MODIFICATION C4, NOTE TYCO STAMP	12SEP2005	RC	OD



COUPE A-A

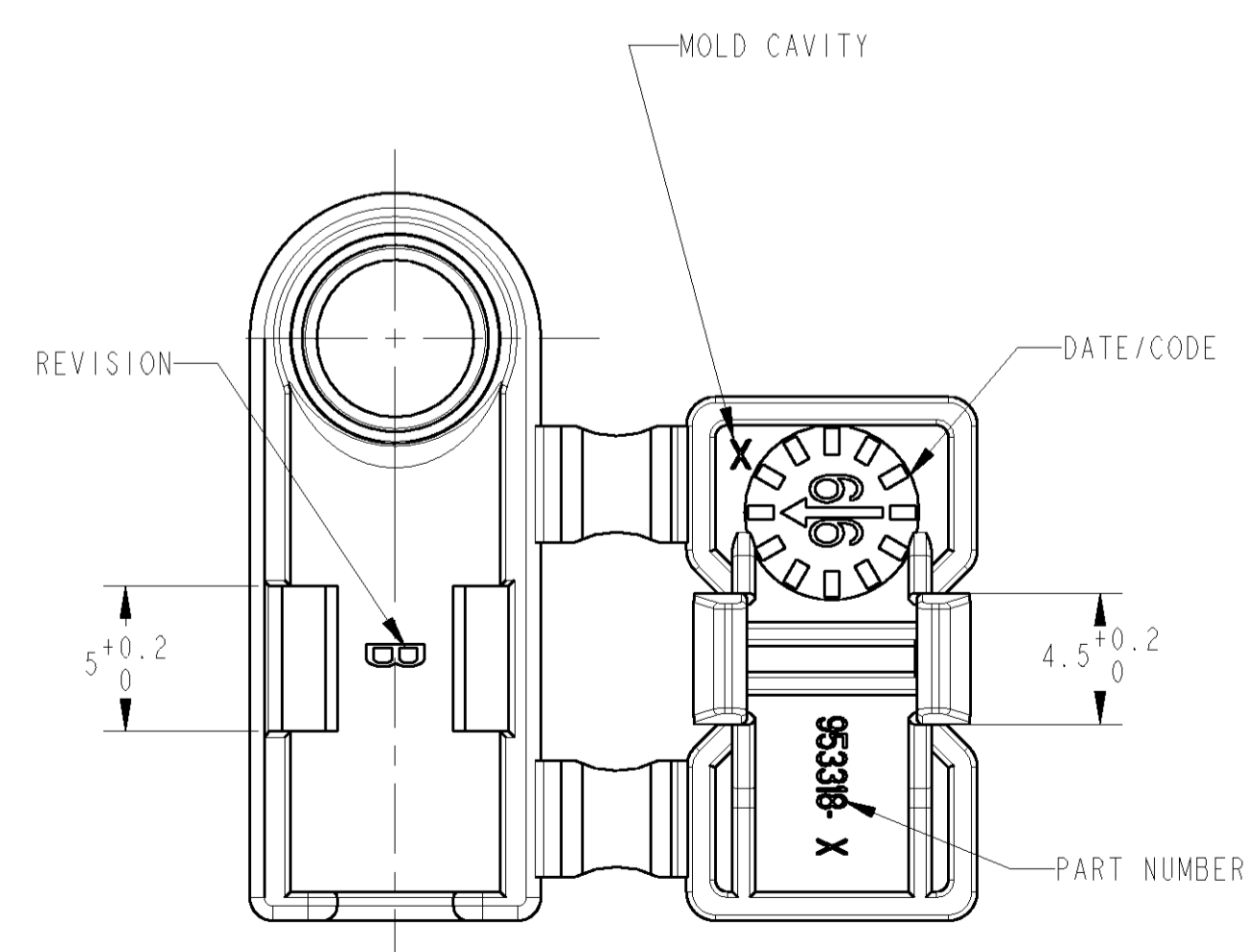
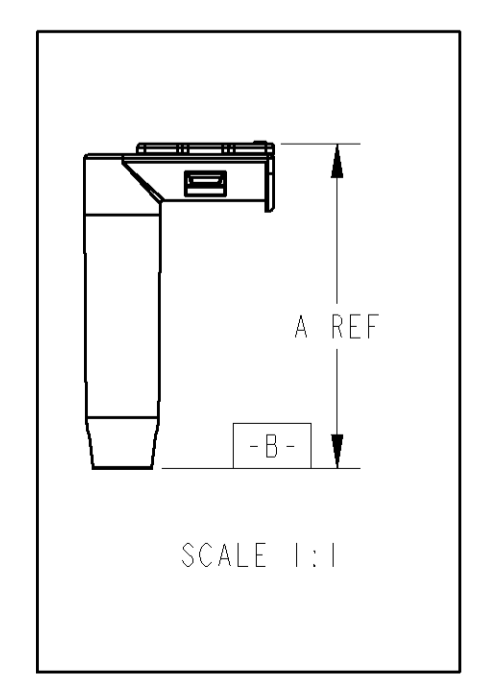


EXTRACTION TOOL	
DESCRIPTION	PART NUMBER
EXTRACTION TOOL	965700-1
SPARE BLADE	965701-1

ASSOCIATED COMPONENTS							
PART NUMBER	DESCRIPTION						
963244-1	SEAL (for insulation ∅ 2.2 - 3mm)						
963245-1	SEAL (for insulation ∅ 3.1 - 3.7mm)						
962956-1	SOCKET CONTACT ∅ 4mm						

PART NUMBER	PART REVISION CODE	COLOUR	MATERIAL	DESCRIPTION	WEIGHT	DIM A	DIM B
953318-2	D	BLACK	PBT	HOUSING	0.003 Kg	61	59.5±0.15
953318-1	D	BLACK	PBT	HOUSING	0.0025 Kg	43	41.5±0.1



<small>THIS DRAWING IS UNPUBLISHED. RELEASED FOR PUBLICATION. DIFFUSION RESTREINTE. AMF BY TYCO ELECTRONICS CORPORATION. ALL RIGHTS RESERVED. TOUS DROITS RESERVES.</small> <small>CE PLAN EST UN DOCUMENT CONTROLÉ PAR AMP INCORPORATÉ. IL EST SOUSCRIPTION À TOUTE MODIFICATION. TOUTE MODIFICATION DOIT ÊTRE NOTÉE DANS LA DERNIÈRE RÉVISION.</small>		DWN/DESIGNE S. RONOT CHK/VERIFIE J.P. PICAUD APVD/APPROUVE J. REV11	OSFEB99 OSFEB99 OSFEB99	AMP DE FRANCE 95301 PONTOISE
DIMENSIONS: mm 		TOLERANCES, UNLESS OTHERWISE SPECIFIED: TOLERANCES, NON SPECIFIEES: mm ∅ 0.2 mm ANGLES FINISH SEE TABLE		NAME J. PICAUD PRODUCT SPEC. 108-15194 APPLICATION SPEC. 411-15605 WEIGHT MASSE APPROX. SEE TABLE CUSTOMER DRAWING /PLAN CLIENT
MATERIAL MATIERE PBT		SIZE FORMAT A1 CAGE CODE 00779 DRAWING NO. No. PLAN C-953318 UNIFORMITY ECHELLE 4:1 SHEET FEUILLE 1 OF 1 REV C		RESTRICTED TO RESERVE A -

# Mouser Electronics

Authorized Distributor

Click to View Pricing, Inventory, Delivery & Lifecycle Information:

[TE Connectivity:](#)

[953318-2](#)