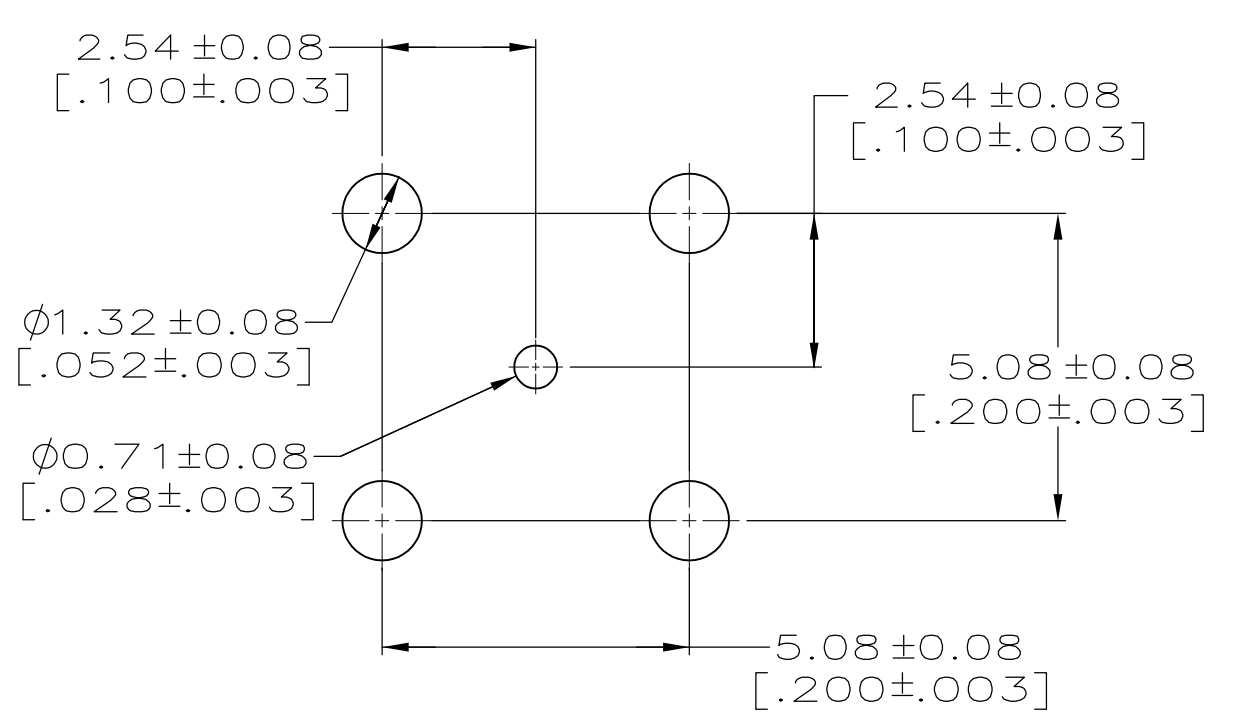
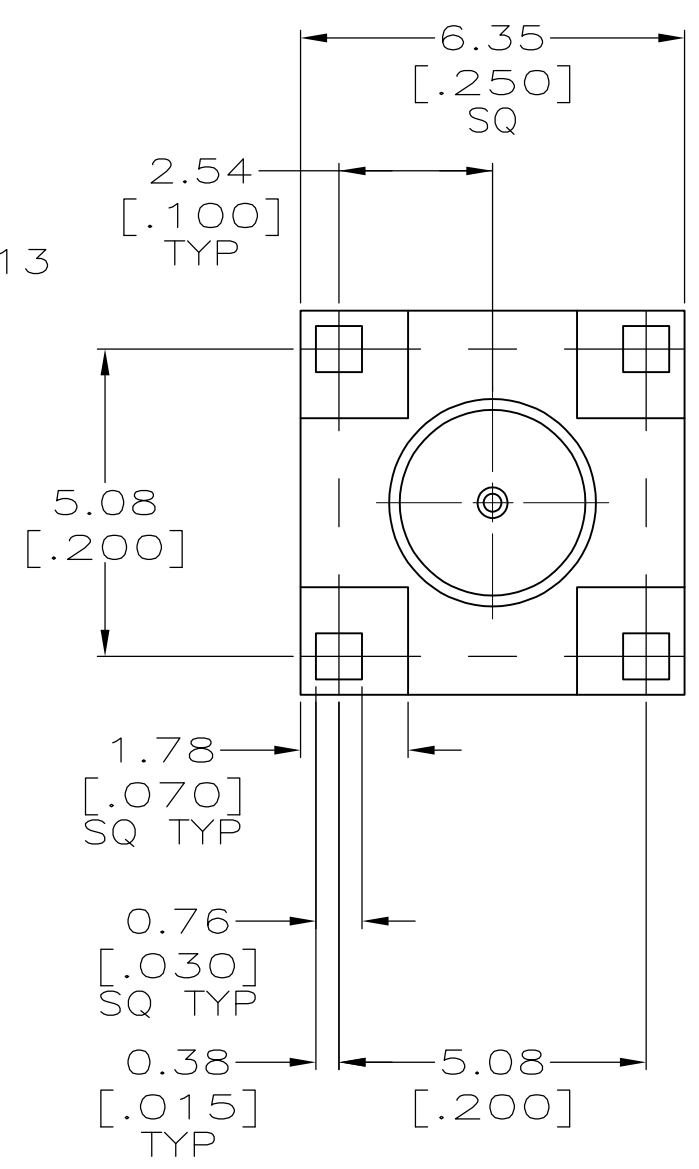
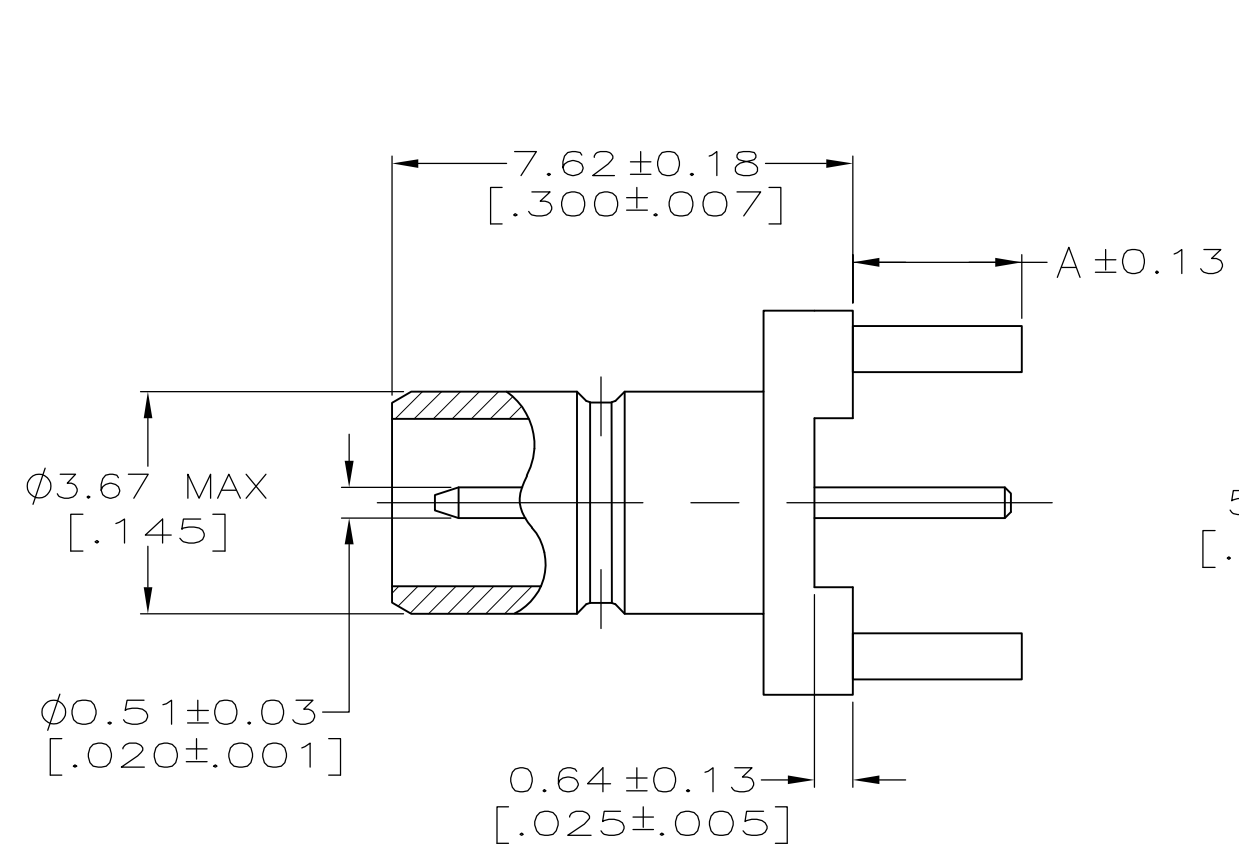


THIS DRAWING IS UNPUBLISHED. RELEASED FOR PUBLICATION  
 © COPYRIGHT 2005 By - ALL RIGHTS RESERVED.

LOC	DIST	REVISIONS					
AJ	16	P	LTR	DESCRIPTION	DATE	DWN	APVD
		B1		ECR-12-005726	27MAR12	RK	MY



- 1 MATERIALS:  
 BODY: BRASS PER QQ-B-626.  
 CONTACT: BRASS PER QQ-B-626.  
 DIELECTRIC: PTFE PER ASTM-D-1710.
- 2 FINISHES:  
 BODY: GOLD PER MIL-G-45204.  
 CONTACT: GOLD PER MIL-G-45204.
- 3 FINISHES:  
 BODY: GOLD FLASH PER MIL-G-45204  
 OVER NICKEL PER QQ-N-290.  
 CONTACT: GOLD PER MIL-G-45204.
- 4 SEE SEPERATE RESTRICTED  
 CUSTOMER DRAWING WITH THIS  
 PART NUMBER.

	-	-	415504-6
	3.05 [.120]	3	415504-4
	3.05 [.120]	2	415504-3
	2.11 [.083]	3	415504-2
OBSOLETE	2.11 [.083]	2	415504-1
	A	FINISH	PART NUMBER

THIS DRAWING IS A CONTROLLED DOCUMENT.		DWN	B.MOYER	27JUN96	<b>STE</b> TE Connectivity		
DIMENSIONS: mm [INCHES]		CHK	G. MICHAEL	28JUN96			
TOLERANCES UNLESS OTHERWISE SPECIFIED:		APVD	G. MICHAEL	28JUN96	NAME		
0 PLC ± -		PRODUCT SPEC		STRAIGHT JACK, PCB, 75 OHM, MINI-SMB			
1 PLC ± -		APPLICATION SPEC		SIZE			
2 PLC ± 0.05 [.002]		WEIGHT		CAGE CODE		DRAWING NO	
3 PLC ± -		-		A3		00779	
4 PLC ± -		-		G		-415504	
ANGLES ± -		-		RESTRICTED TO		-	
MATERIAL		FINISH		SCALE		SHEET	
1		2 3		8:1		1 OF 1	
CUSTOMER DRAWING				REV		B1	

RECOMMENDED PCB CONFIGURATION

# Mouser Electronics

Authorized Distributor

Click to View Pricing, Inventory, Delivery & Lifecycle Information:

[TE Connectivity:](#)

[415504-2](#)