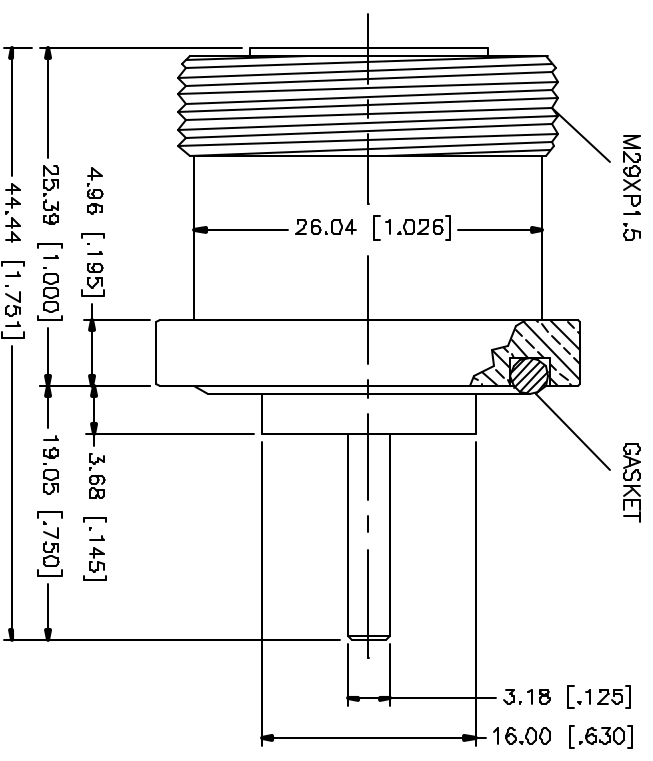
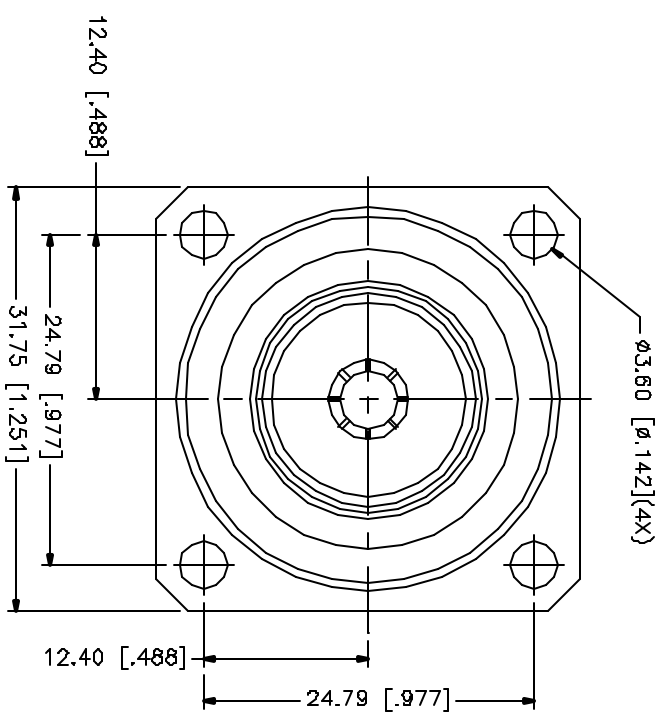


REV.	DATE	DESCRIPTION
NC	06/08/05	INITIAL RELEASE



REV.	DESCRIPTION	MATERIAL	FINISH	QTY
8				
7				
6				
5				
4	GASKET	SILICONE	RED	1
3	CONTACT PIN	BER. COPPER	GOLD	1
2	INSULATOR	TEFLON	NATURAL	1
1	BODY	BRASS	NEOXOTE	1
	DESCRIPTION	MATERIAL	FINISH	QTY

UNLESS OTHERWISE SPECIFIED DIMENSIONS ARE IN MILLIMETERS (INCHES IN PARENTHESES) AND ARE TO BE USED FOR DIMENSIONAL REQUIREMENTS.	UNLESS OTHERWISE SPECIFIED DIMENSIONS FOR MILLIMETERS ARE:
	D.S. - 0.01mm ± 0.20mm
	B - 0.01mm ± 0.40mm
	3Q - 1.20mm ± 0.50mm
	UNLESS OTHERWISE SPECIFIED DIMENSIONS FOR INCHES ARE:
	.020 - .315 - ± 0.007"
	.315 - 1.180 - ± 0.015"
	1.180 - 4.724 - ± 0.020"

APPROVALS	DATE
DRAWN G.R.S.	06/06/05
CHECKED	
DESIGNED	
SHEET 1 OF 1	

PART DESCRIPTION	PART NO.
7/16 PANEL RECEPTACLE JACK 4 HOLE FLANGE - EXT. TEFLON	272190

DWG. NO.	REV.	NC	SIZE	A	SCALE	NA
272190.DWG						

Amphenol Connex

DO NOT SCALE DRAWING

Mouser Electronics

Authorized Distributor

Click to View Pricing, Inventory, Delivery & Lifecycle Information:

[Amphenol:](#)

[272190](#)