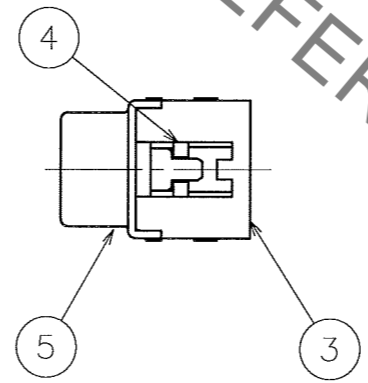
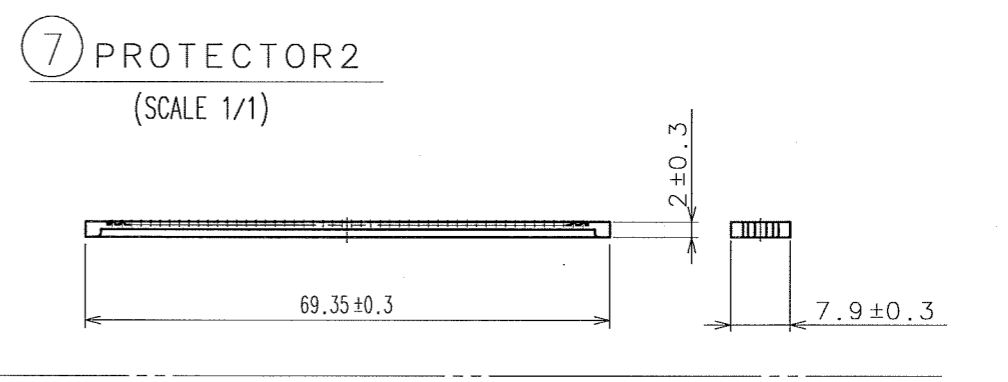
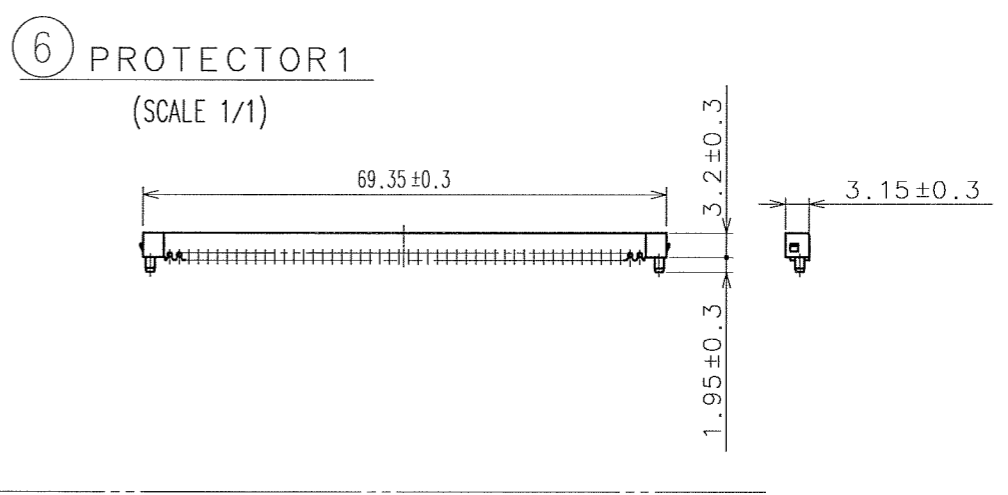
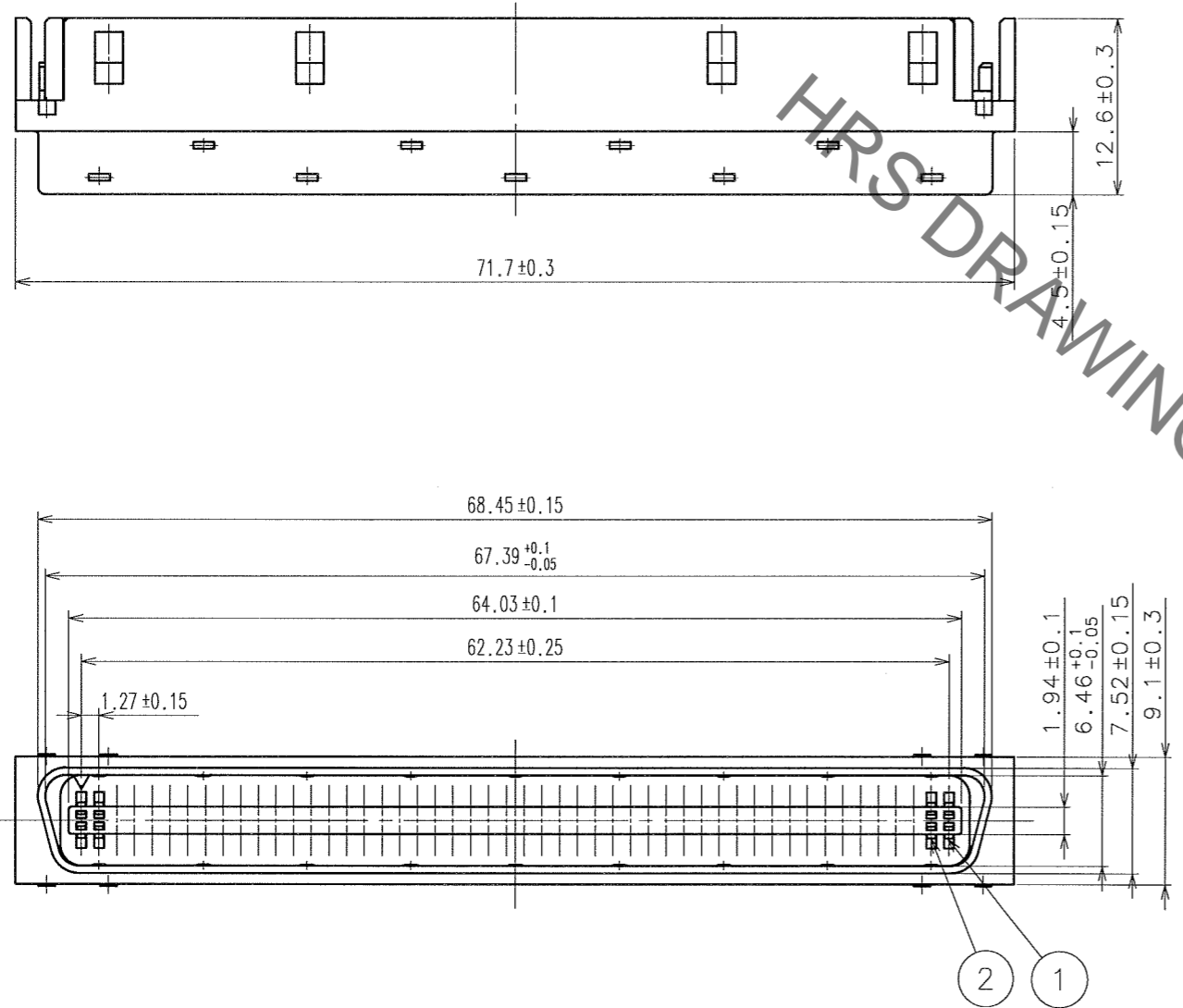


Aug.1.2020 Copyright 2020 HIROSE ELECTRIC CO., LTD. All Rights Reserved.
In case of consideration for using Automotive equipment / device which demand high reliability, kindly contact our sales window correspondents.

COUNT	DESCRIPTION OF REVISIONS	BY	CHKD	DATE	COUNT	DESCRIPTION OF REVISIONS	BY	CHKD	DATE
1	DIS-E-3269	E.M	H.T	96.11.12					
2	DIS-E-000197	Y.S	Y.E	05.08.29					

A
B
C
D
E
F



⚠ NOTE 1 REF.NO.3 RETENFORCE TO BE 100N MIN AT DIRECTION A.

4	PBT	UL94V-0 (BLACK)		
3	PBT	UL94V-0 (BLACK)	7	PBT
2	BERYLLIUM COPPER	CONTACT AREA: GOLD PLATED IDC AREA: GOLD FLASH PLATING ⚠	6	PBT
1	BERYLLIUM COPPER	CONTACT AREA: GOLD PLATED IDC AREA: GOLD FLASH PLATING ⚠	5	STEEL
				NICKEL PLATED

CODE NO. (OLD)	DRAWN	DESIGNED	CHECKED	APPROVED	RELEASED
	M.NAKAMURA	M.NAKAMURA	S.KIKUTA	A.NAKAZAWA	
	90.03.14	90.03.14	90.03.14	90.03.14	

	DRAWING NO. EDC3-040393	PART NO. DX30AM-100P
SCALE 2 : 1	HIROSE ELECTRIC CO., LTD	CODE NO. CL230-5031-0
UNITS mm		1/1

TO
Q1