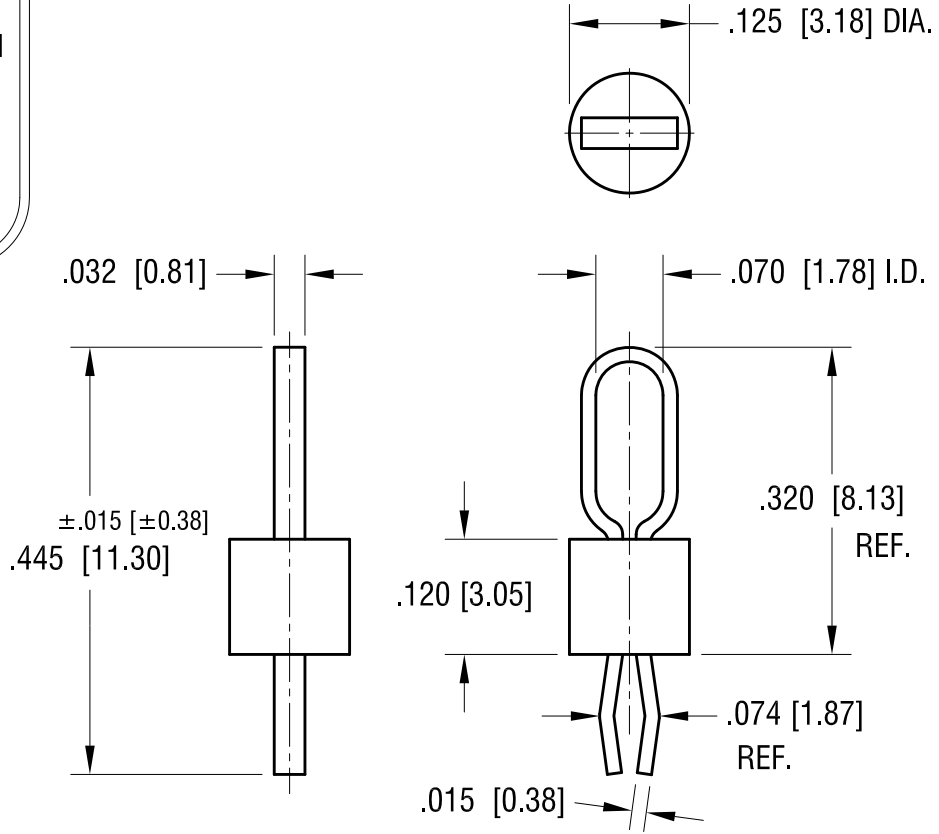
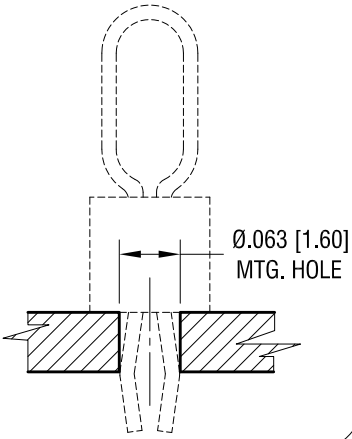


THIS DOCUMENT IS THE PROPERTY OF KEYSTONE ELECTRONICS CORP. AND SHALL NOT BE REPRODUCED, DISTRIBUTED OR USED AS A BASIS FOR MANUFACTURE WITHOUT PRIOR WRITTEN PERMISSION FROM KEYSTONE ELECTRONICS CORP.

ACTUAL SIZE



MTG. DETAIL



NOTES:

1. TERMINAL:
MAT'L - PHOSPHOR BRONZE WIRE
2. BASE:
MAT'L - HEAT RESISTANT NYLON 46

| PART NO. | BASE COLOR |
|----------|------------|
| 5125 | BROWN |
| 5126 | GREEN |
| 5127 | BLUE |
| 5128 | GREY |
| 5129 | PURPLE |

| DATE | DESCRIPTION | REV. |
|----------|--------------------------|------|
| 12.30.13 | CHANGE AS PER ECN 13-123 | D |
| 1.31.13 | CHANGE AS PER ECN 13-014 | C |
| 1.29.13 | CHANGE AS PER ECN 13-009 | B |
| 12.14.10 | CHANGE AS PER ECN 10-086 | A |

| | | | |
|---|--------------------------------------|--------------|----------------------|
| KEYSTONE ELECTRONICS CORP. | | | |
| www.keyelco.com • ASTORIA, N.Y. 11105-2017 • Tel (718) 956-8900 | | | |
| PART NAME PC TEST POINT - MULTIPURPOSE | | | |
| MATERIAL AS NOTED | | | |
| FINISH SILVER PLATE | | DRN BY NT | DATE 4.22.08 |
| | | APP'D LN | SCALE 5X |
| TOLERANCES DECIMAL ANGULAR | INCH [MM] ± .005 [± 0.13] ± 1° | CODE C | DWG NO. 5125-5129 |
| UNLESS OTHERWISE SPECIFIED | | | |

Mouser Electronics

Authorized Distributor

Click to View Pricing, Inventory, Delivery & Lifecycle Information:

[Keystone Electronics:](#)

[5128](#)