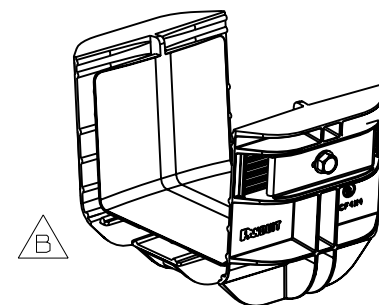
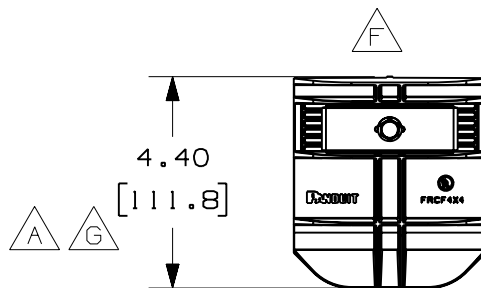
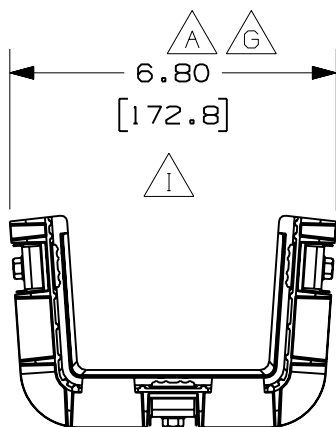
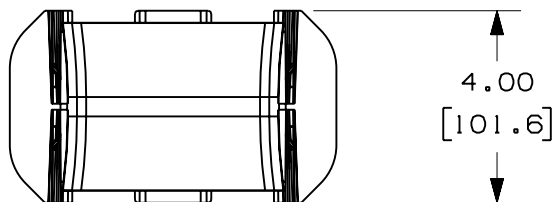


THIS COPY IS PROVIDED ON A RESTRICTED BASIS AND IS NOT TO BE USED IN ANY WAY DETRIMENTAL TO THE INTERESTS OF PANDUIT CORP.



PANDUIT PART NUMBER	WEIGHT
FRBC4X4	0.71 LB/EACH (322g/EACH)



NOTES:

1. SEE CURRENT CATALOG FOR ADDITIONAL PART SUFFIXES TO INDICATE COLOR AND/OR PACKAGE QUANTITY.
2. DIMENSIONS IN PARENTHESES ARE IN METRIC.

ENG. REF.: D37847CT_DC_FRBC4X4_03.prt

CAD FILENAME/LAYERS D FRBC4X4.pdf

REV	DATE	BY	CHK	DESCRIPTION	ECN	R	CUST	SUP	GMBH
-	-----	---	---	I. REMOVED DIMENSION H. REVISED MATERIAL	-----	--	--		
-	-----	---	---	G. RELOCATED DIMENSIONS F. ADDED RIGHT SIDE VIEW	-----	--	--		
3	7-10-06	DTP	RN	E. REVISED PART WEIGHT D. REVISED CAD FILENAME	37847-50	RN	RN		
2	1-9-04	JHNU	DJWA	C. REVISED WEIGHT B. REVISED PART GEOMETRY	37847-50	RN	RN		
1	10-1-01	JHNU	DJWA	A. REVISED PART GEOMETRY	37847-50	HIW	HIW		
R	7-13-01	JHNU	DJWA	RELEASED TO PRODUCTION	37847-50	HIW	HIW		

PANDUIT		CORP	TINLEY PARK, ILLINOIS
FIBERRUNNER 4x4 QUIKLOCK COUPLER (FRBC4X4) CUSTOMER DRAWING			
UNLESS OTHERWISE SPECIFIED, DIMENSIONAL TOLERANCES ARE: (.X) ± (XXX) ± (.XX) ± .03 (.8) ANGLES ±		UNLESS OTHERWISE SPECIFIED, ALL DIMENSIONS ARE GIVEN IN INCHES, THIRD ANGLE PROJECTION.	
DRAWN BY JHNU	DATE 7-13-01	MATERIAL: H ABS AND STEEL	SCALE NONE
CHK'D DJWA	DRAWING NO. 37847-50	DWG A	SIZE A

Mouser Electronics

Authorized Distributor

Click to View Pricing, Inventory, Delivery & Lifecycle Information:

[Panduit:](#)

[FRBC4X4BL](#) [FRBC4X4YL-E](#) [FRBC4X4OR](#) [FRBC4X4OR-E](#) [FRBC4X4BL-E](#)