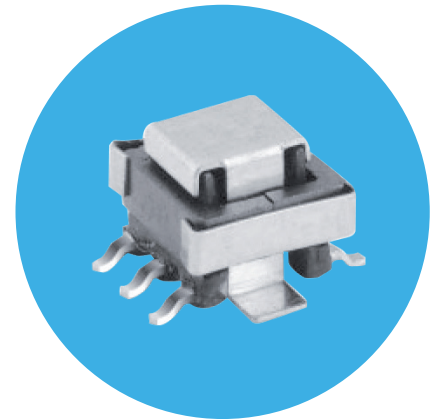


Current Sense Surface Mount Transformers

Model HM33

Features and Benefits

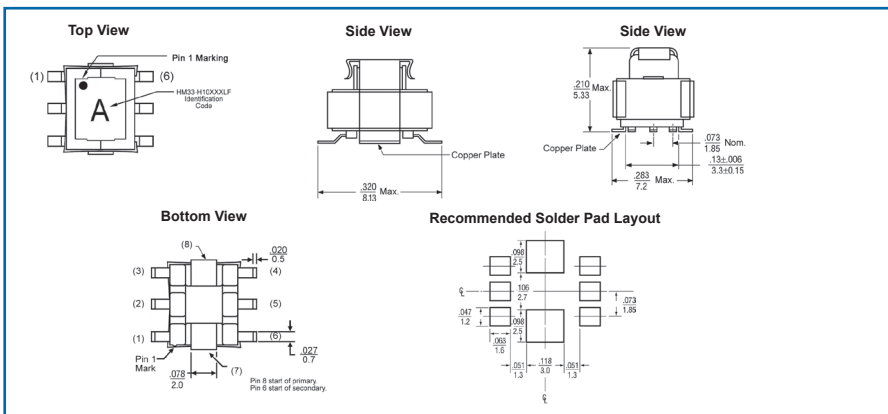
- Insulation Resistance, Minimum 10 M Ω
- Operating Temperature Range -40°C to + 130°C
- RoHS Compliant



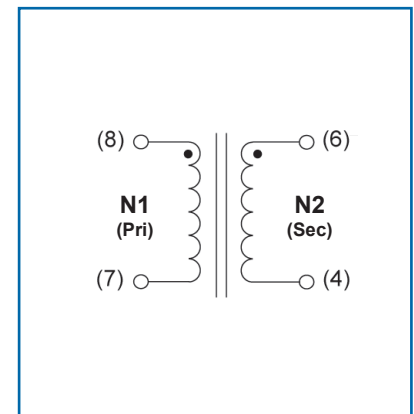
Specification @ 25°C

Part Number	Turns N1:N2 @ 10 kHz	Secondary Inductance μ H Min.	Primary DCR m Ω Max.	Secondary DCR Ω Max.	Primary Amps Max.	Pin 1 Marking Color Code	H10XXXLF ID Code
HM33-10125LF	1:125	3000	5.0	7.36	10	White	-
HM33-10100LF	1:100	2000	5.0	5.50	10	Black	-
HM33-10070LF	1:70	980	5.0	4.75	10	Yellow	-
HM33-10050LF	1:50	500	5.0	2.50	10	Green	-
HM33-10040LF	1:40	320	5.0	1.35	10	Blue	-
HM33-10030LF	1:30	180	5.0	1.00	10	Red	-
HM33-H10125LF	1:125	3000	0.75	7.36	20	White	A
HM33-H10100LF	1:100	2000	0.75	5.50	20	Black	B
HM33-H10070LF	1:70	980	0.75	4.75	20	Yellow	C
HM33-H10050LF	1:50	500	0.75	2.50	20	Green	D
HM33-H10040LF	1:40	320	0.75	1.35	20	Blue	E
HM33-H10030LF	1:30	180	0.75	1.00	20	Red	F

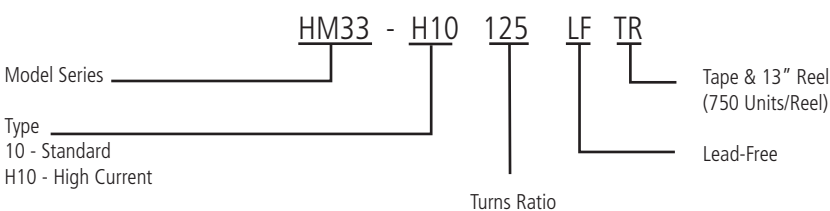
Outline Dimensions (mm)



Schematic



Ordering Information



General Note

TT Electronics reserves the right to make changes in product specification without notice or liability. All information is subject to TT Electronics' own data and is considered accurate at time of going to print.

Mouser Electronics

Authorized Distributor

Click to View Pricing, Inventory, Delivery & Lifecycle Information:

[TT Electronics:](#)

[HM33-10125LFTR](#)