

# JS Series Sub-Miniature Slide Switches

## Features/Benefits

- Positive detent
- Low profile
- IR reflow to 260° solder profile
- Surface and thru hole mounting
- SPDT, DPDT, DP3T models
- RoHS compliant

## Typical Applications

- Telecommunication products
- Computer peripherals
- Thermostat select switch
- Instrumentations



## Specifications

CONTACT RATING: 6 VDC @ 0.3A  
 ELECTRICAL LIFE: 5,000 make-and-break cycles  
 CONTACT RESISTANCE: 70 m Ω max.  
 INSULATION RESISTANCE: 100 M Ω min. @ 500V.  
 DIELECTRIC STRENGTH: 500 VAC min. @ sea level.  
 OPERATING TEMPERATURE: -40°C to +85°C  
 STORAGE TEMPERATURE: -40°C to +85°C

**NOTE:** Specifications and materials listed above are for switches with standard options.  
 For information on specific and custom switches, consult Customer Service Center.

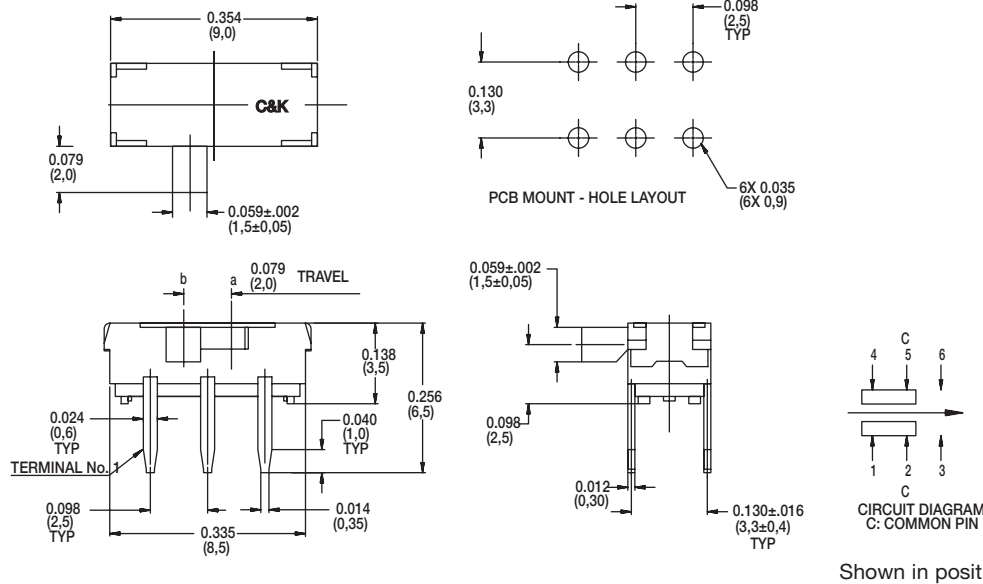
## Materials

HOUSING: 4/6 nylon (UL94V-2), black.  
 ACTUATOR: 4/6 nylon (UL94V-2), black (some options white).  
 CONTACTS: Copper alloy, silver plated.  
 TERMINALS: Brass, silver plated



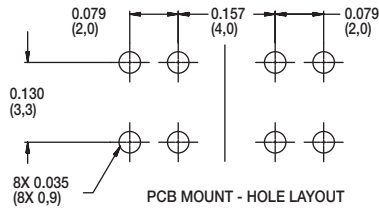
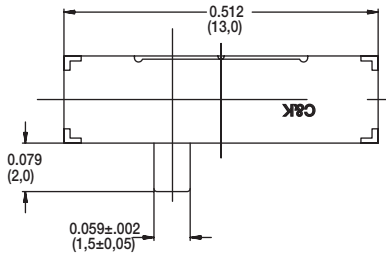
Slide

## RIGHT ANGLE, PC THRU-HOLE



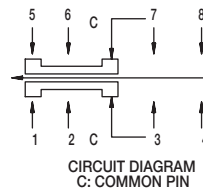
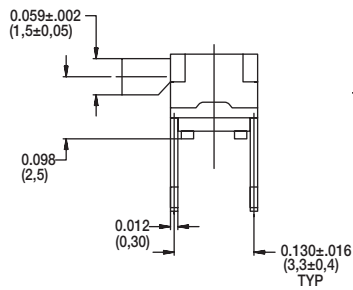
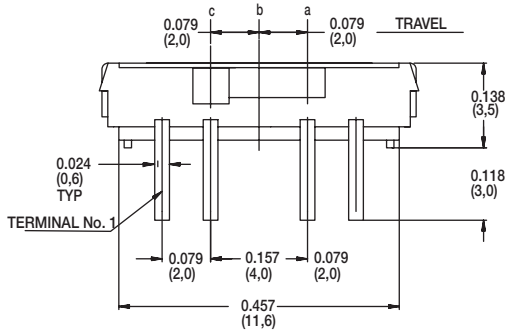
# JS Series Sub-Miniature Slide Switches

## RIGHT ANGLE, PC THRU-HOLE



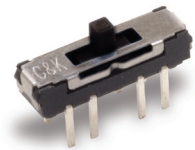
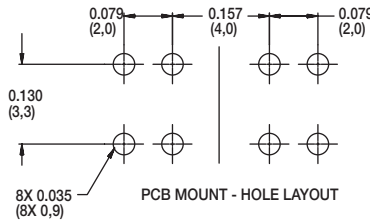
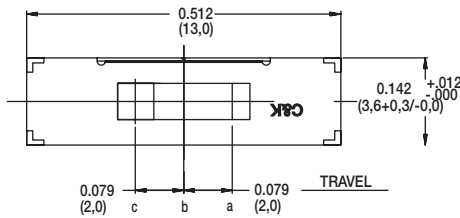
Part Number  
JS203011AQN  
**DP3T**

Shown in position b



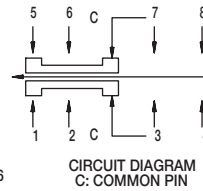
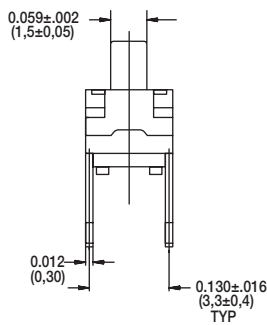
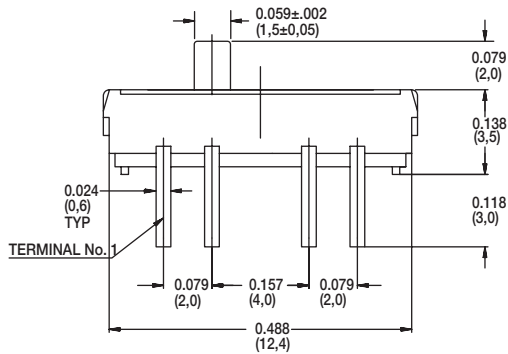
Shown in position c

## PC THRU-HOLE



Part Number  
JS203011CQN  
**DP3T**

Shown in position b

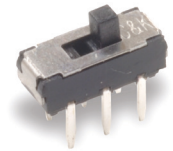


Shown in position c

Slide

# JS Series Sub-Miniature Slide Switches

## PC THRU-HOLE



Part Number  
JS202011CQN  
DPDT

Shown in position a

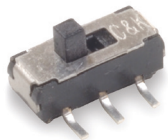
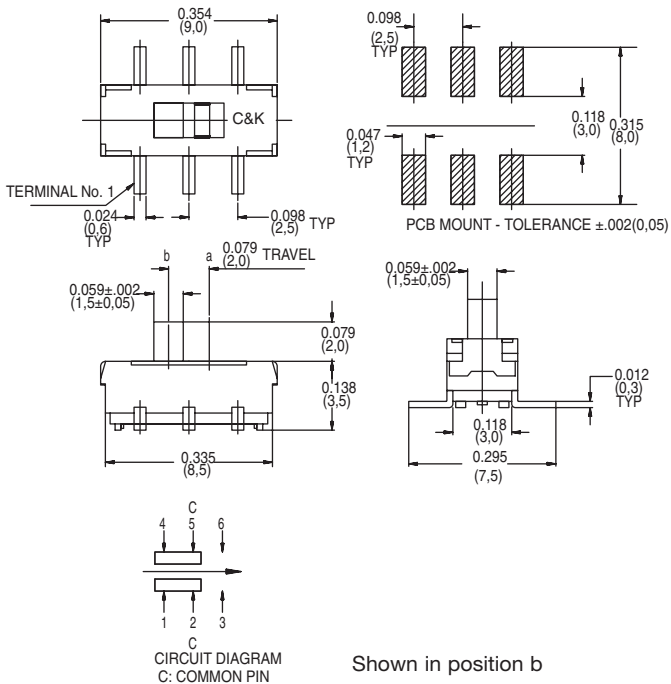


Slide

## SURFACE MOUNT

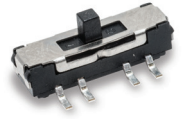
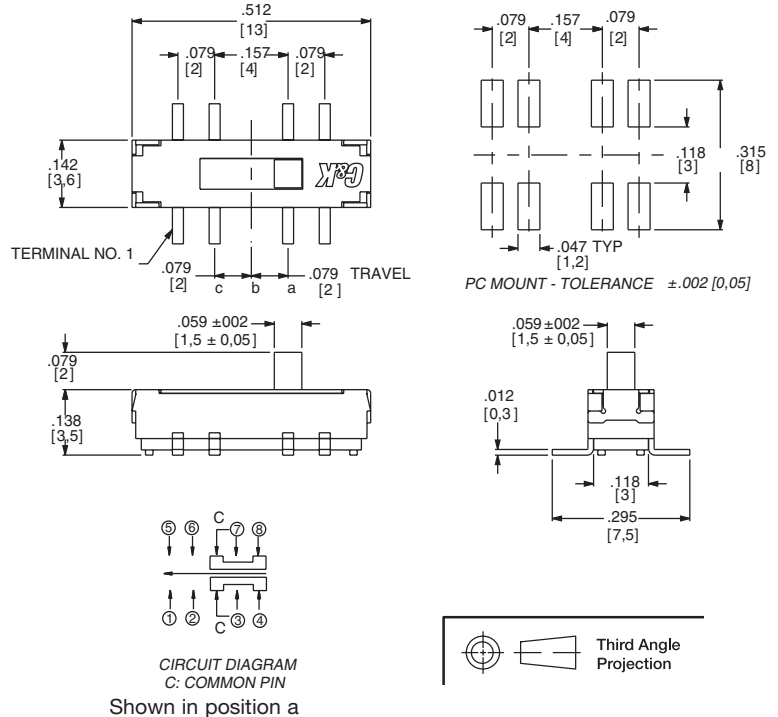
Part number  
JS202011SCQN  
DPDT

Shown in position b. Quantity per reel 1000  
Available in tape & reel only, see page I-58



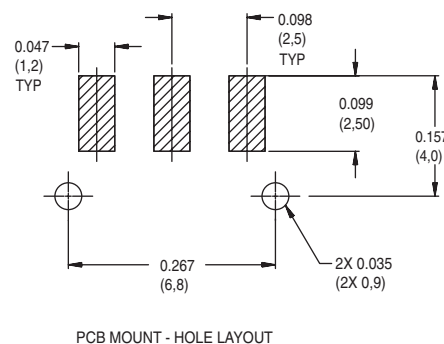
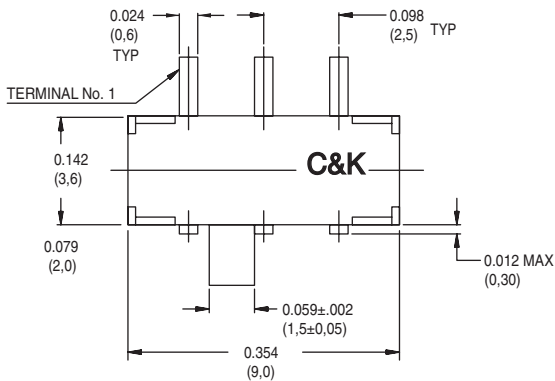
Part number  
JS203011SCQN  
DP3T

Quantity per reel 900  
Available in tape & reel only, see page I-60



# JS Series Sub-Miniature Slide Switches

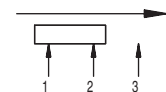
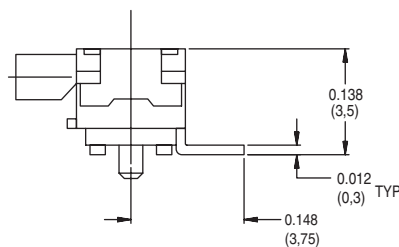
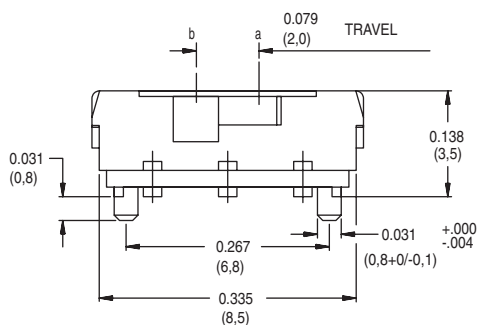
## RIGHT ANGLE SURFACE MOUNT



Part Number  
JS102011SAQN  
SPDT

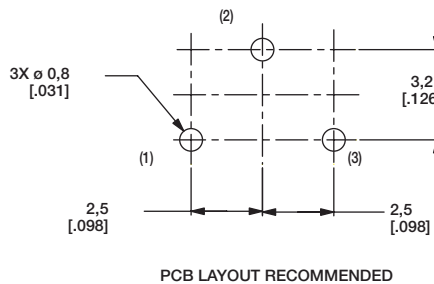
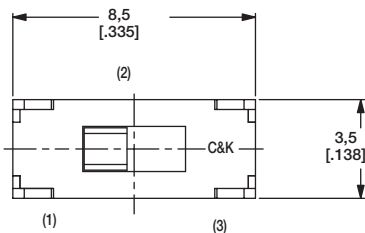
Shown in position a

Available in tape & reel only, see page I-59



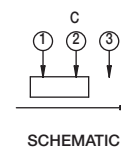
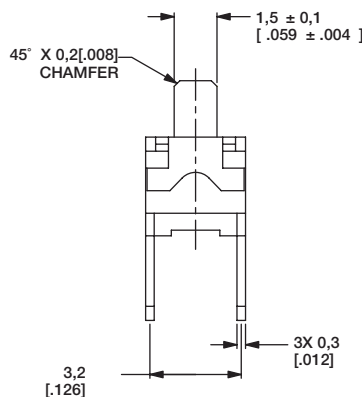
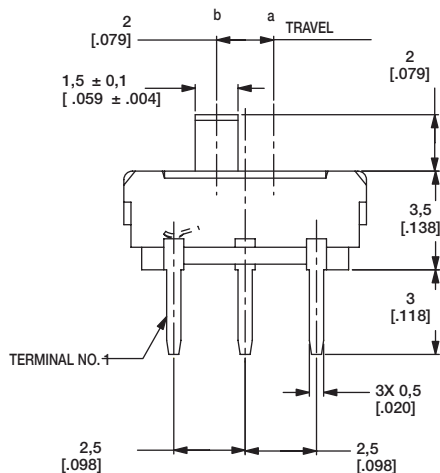
Shown in position b

## PC THRU-HOLE



Part Number  
JS102011CQN  
SPDT

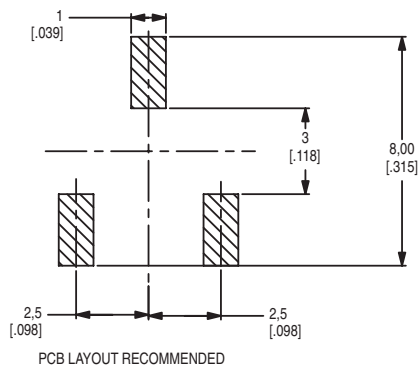
Shown in position a



Shown in position b

# JS Series Sub-Miniature Slide Switches

## SURFACE MOUNT



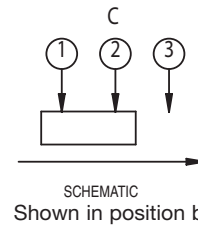
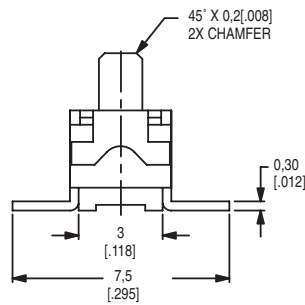
Part Number  
JS102011SCQN  
**SPDT**

Shown in position a

Available in tape & reel  
only, see page I-59

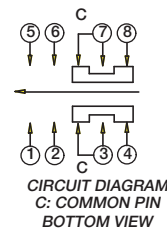
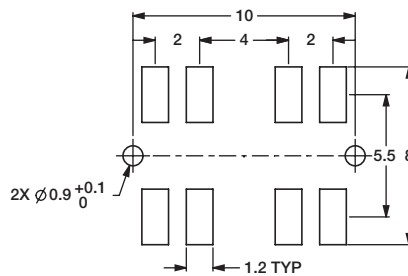
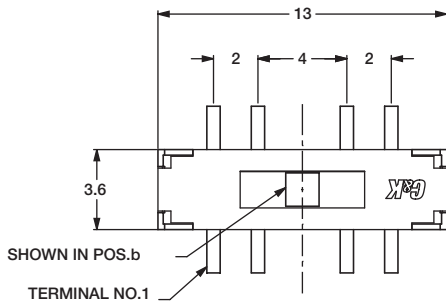


Slide



## SURFACE MOUNT

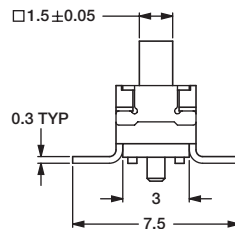
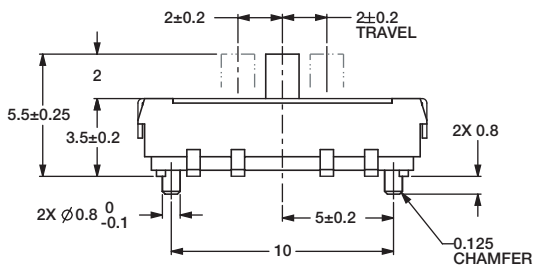
**NEW**



Part Number  
JS207011SCQNR  
**DP3T**

Shown in position b

Available in tape & reel  
only, see page I-58



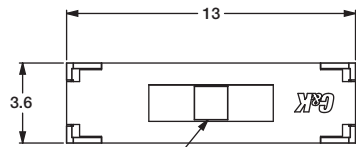
SWITCH FUNCTION		
POS.c	POS.b	POS.a
(MOM)	ON	ON
CONNECTED TERMINALS		
1-3,5-7	2-3,6-7	3-4,7-8



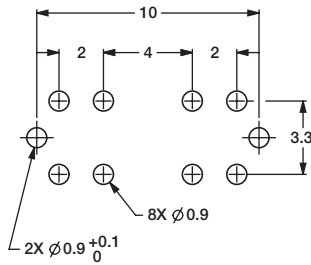
Dimensions are shown: Inches (mm)  
Specifications and dimensions subject to change

# JS Series Sub-Miniature Slide Switches

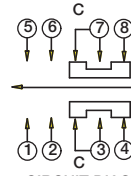
## PC THRU-HOLE



SHOWN IN POS.b



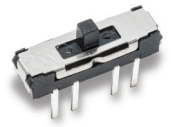
PC MOUNT - TOLERANCE  $\pm 0.05$



CIRCUIT DIAGRAM  
C: COMMON PIN  
BOTTOM VIEW

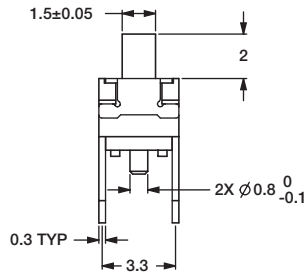
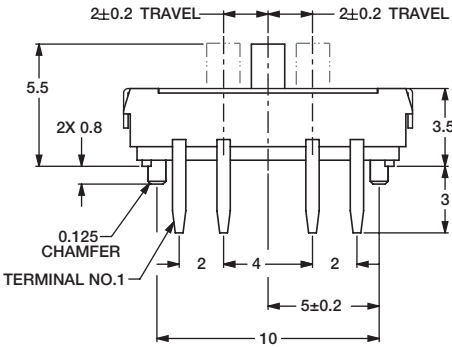
SWITCH FUNCTION		
POS.c	POS.b	POS.a
(MOM)	ON	ON
CONNECTED TERMINALS		
1-3,5-7	2-3,6-7	3-4,7-8

**NEW**



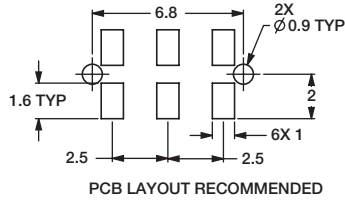
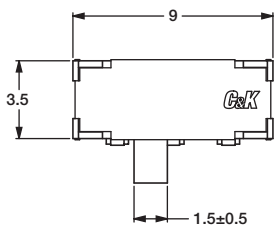
Part Number  
JS207011CQNR  
**DP3T**

Shown in position b

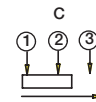


Slide

## RIGHT ANGLE SURFACE MOUNT



PCB LAYOUT RECOMMENDED



CIRCUIT DIAGRAM  
C: COMMON PIN  
BOTTOM VIEW

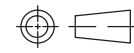
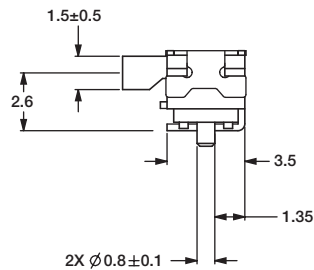
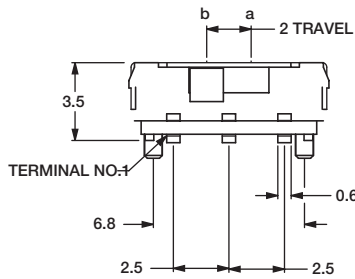
**NEW**



Part Number  
JS102011JAQN  
**SPDT**

Shown in position

Available in tape & reel  
only, see page I-59



Third Angle  
Projection

Dimensions are shown: mm  
Specifications and dimensions subject to change



29 jun 16

# JS Series Sub-Miniature Slide Switches

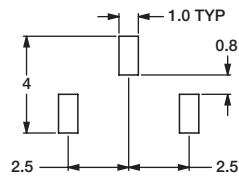
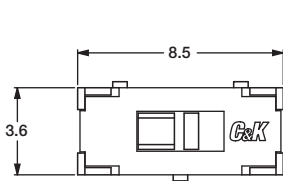
## VERTICAL MOUNT SMT - J BEND

**NEW**

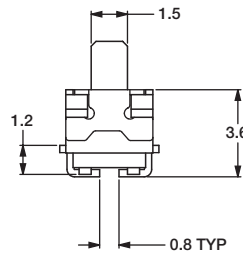
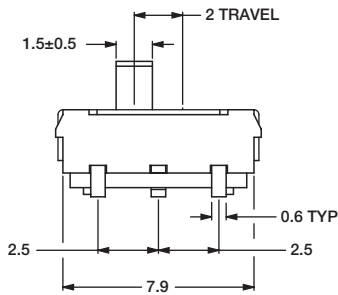
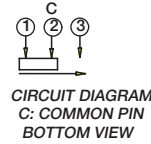


Part Number  
JS102011JCQN  
**SPDT**

Available in tape & reel  
only, see page I-59



PCB LAYOUT RECOMMENDED



## RIGHT ANGLE SURFACE MOUNT

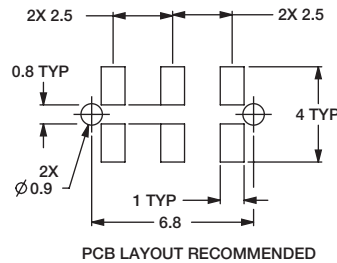
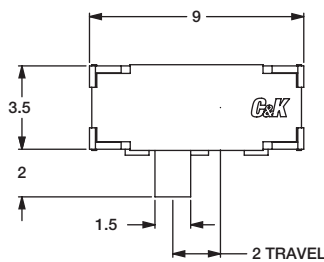
**NEW**



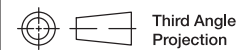
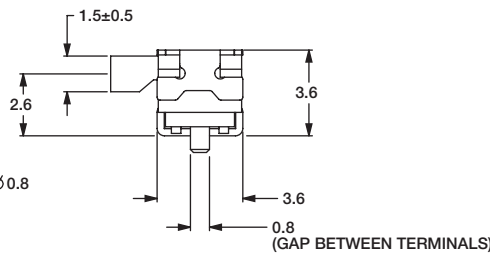
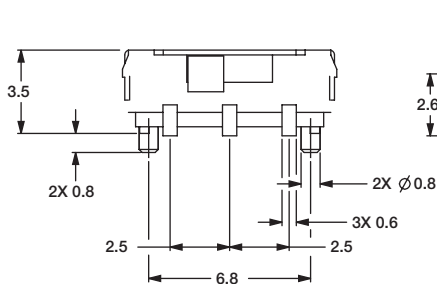
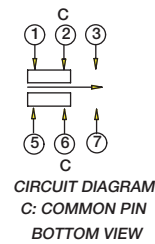
Part Number  
JS202011JAQN  
**DPDT**

Shown in position

Available in tape & reel  
only, see page I-61



PCB LAYOUT RECOMMENDED

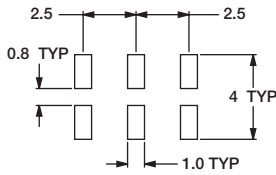
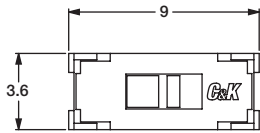


Third Angle  
Projection

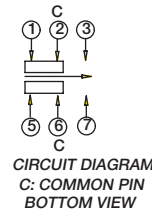
Dimensions are shown: mm  
Specifications and dimensions subject to change

# JS Series Sub-Miniature Slide Switches

## VERTICAL MOUNT SMT - J BEND



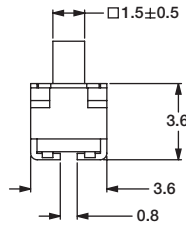
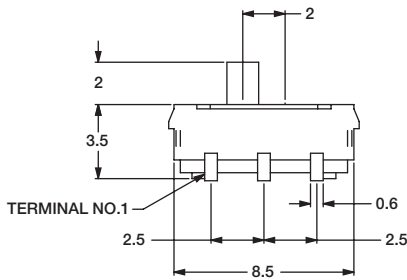
PCB LAYOUT RECOMMENDED



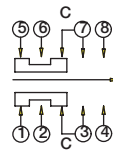
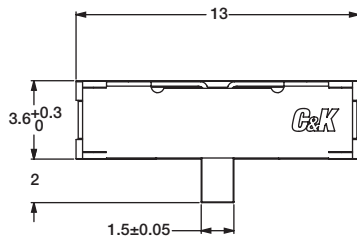
Part Number  
JS202011JCQN  
**DPDT**

Shown in position

Available in tape & reel  
only, see page I-61



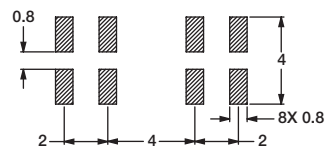
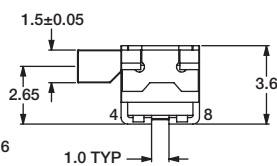
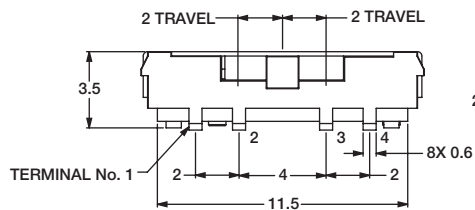
## RIGHT ANGLE MOUNT SMT - J BEND



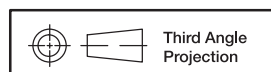
Part Number  
JS203011JAQN  
**DP3T**

Shown in position

Available in tape & reel  
only, see page I-60



PCB LAYOUT RECOMMENDED



Dimensions are shown: mm  
Specifications and dimensions subject to change

Slide



# JS Series Sub-Miniature Slide Switches

## VERTICAL MOUNT SMT - J BEND

**NEW**



Part Number  
JS203011JCQN  
**DP3T**

Available in tape & reel  
only, see page I-60



Slide

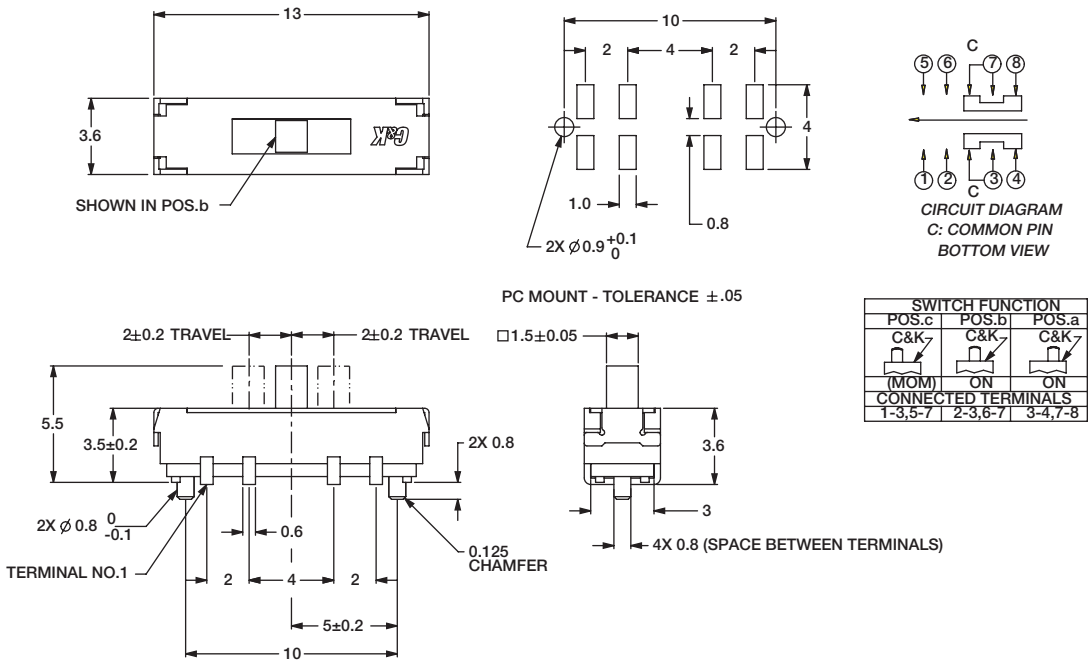
## SURFACE MOUNT - J BEND

**NEW**



Part Number  
JS207011JCQNR  
**SP3T**

Available in tape & reel  
only, see page I-58

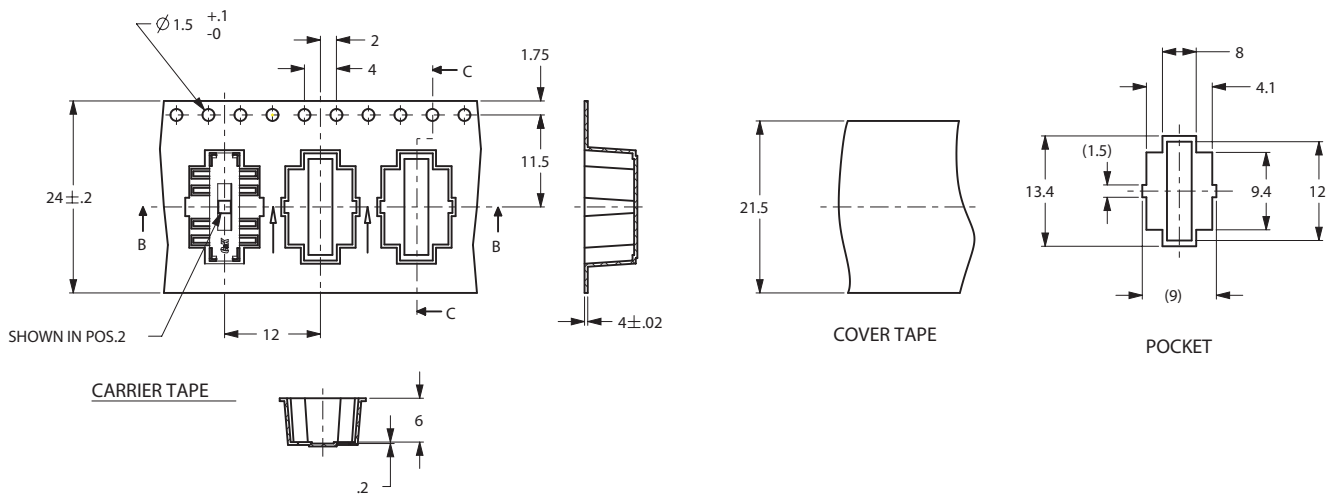
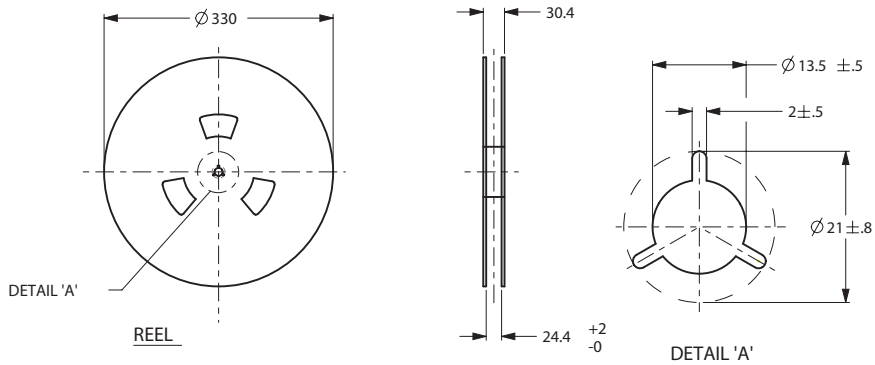


# JS Series Sub-Miniature Slide Switches

TAPE AND REEL FOR PART NUMBER JS207011SCQNR, JS207011JCQNR

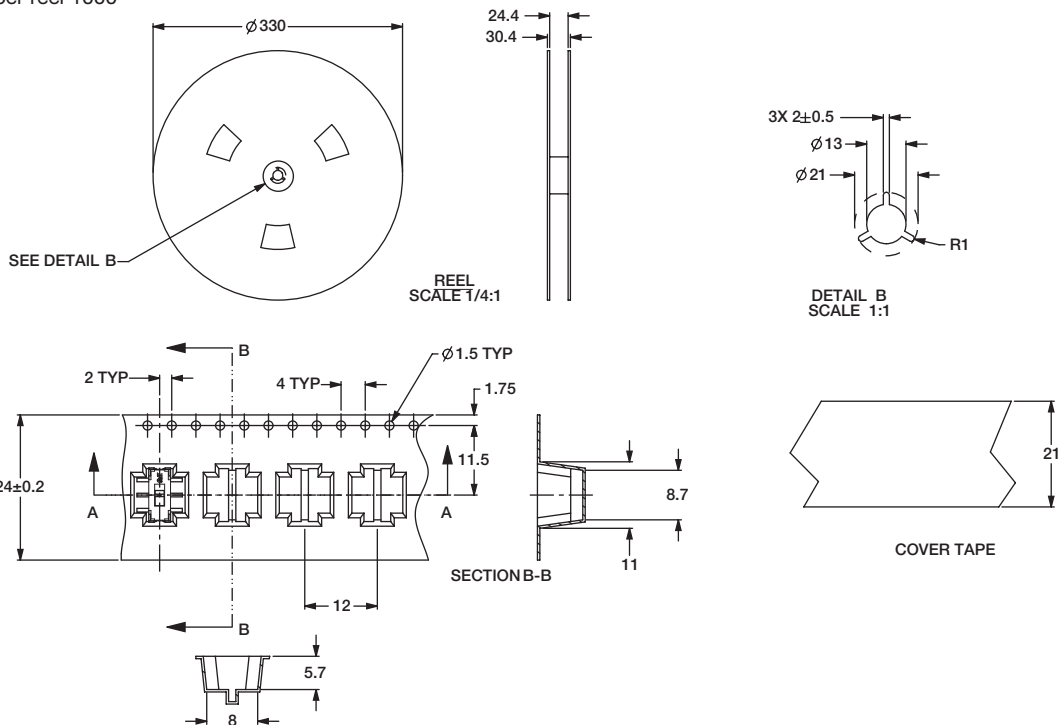
Quantity per reel 800

PACKING DETAIL 800 PCS



TAPE AND REEL FOR PART NUMBER JS202011SCQN

Quantity per reel 1000

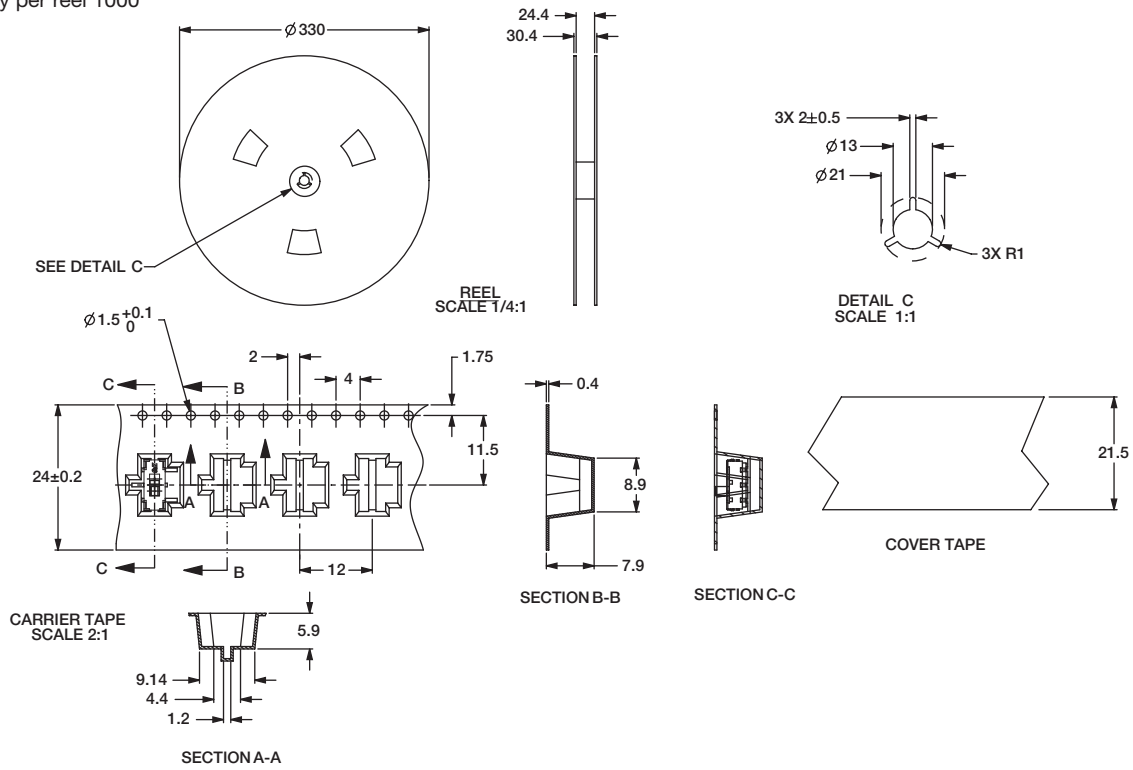


Slide

# JS Series Sub-Miniature Slide Switches

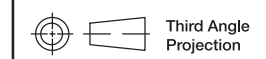
## TAPE AND REEL FOR PART NUMBER JS102011SCQN, JS102011JCQN

Quantity per reel 1000



## TAPE AND REEL FOR PART NUMBER JS102011SAQN, JS102011JAQN

Quantity per reel 1000



Dimensions are shown: mm  
Specifications and dimensions subject to change

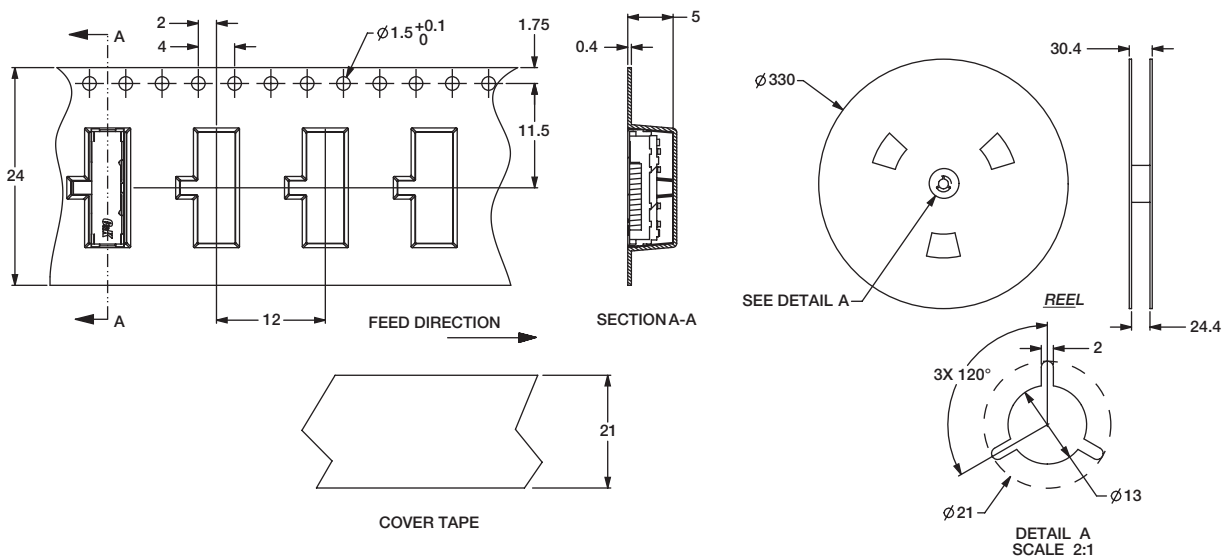
# JS Series Sub-Miniature Slide Switches

**TAPE AND REEL FOR PART NUMBER JS203011SCQN, JS203011JCQN**  
Quantity per reel 900



## TAPE AND REEL FOR PART NUMBER JS203011JAQN

Quantity per reel 1000



# JS Series Sub-Miniature Slide Switches

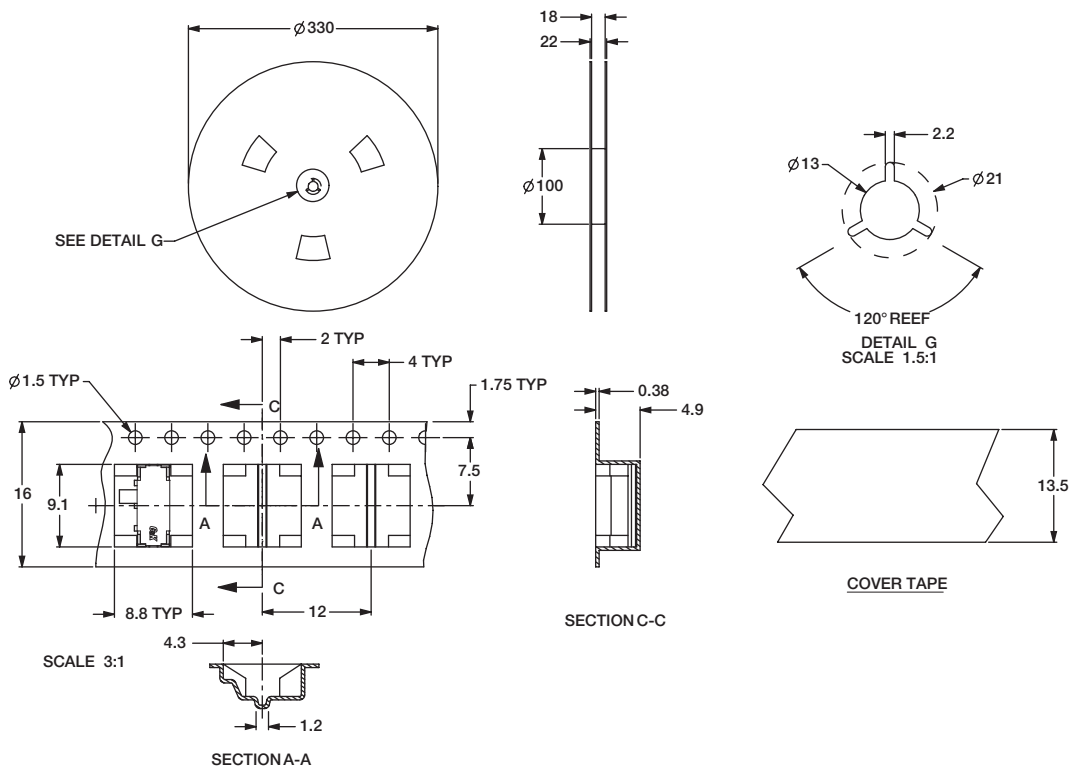
## TAPE AND REEL FOR PART NUMBER JS202011JCQN

Quantity per reel 1300



## TAPE AND REEL FOR PART NUMBER JS202011JAQN

Quantity per reel 1000



# JS Series Sub-Miniature Slide Switches

## RIGHT ANGLE SURFACE MOUNT

LOW PROFILE .028±.004 (0.7±0.1) HIGH



Part Number  
JS102000SAQN  
SPDT

## Specifications

CONTACT RATING: 5 VDC @ 1mA

ELECTRICAL LIFE: 15,000 cycles.

CONTACT RESISTANCE: <100 m ohms (initial) <200 m ohms (after processing).

INSULATION RESISTANCE: 100 m ohms @500 VDC.

DIELECTRIC STRENGTH: 250 VAC.

OPERATING TEMPERATURE: -40°C to +85°C



## TAPE AND REEL FOR PART NUMBER JS102000SAQN

Quantity per reel 4000



# Mouser Electronics

Authorized Distributor

Click to View Pricing, Inventory, Delivery & Lifecycle Information:

## C&K Switches:

[JS102000SAQN](#) [JS102011SAQN](#) [JS202011AQN](#) [JS202011CQN](#) [JS202011SCQN](#) [JS203011AQN](#) [JS203011CQN](#)  
[JS102011SCQN](#) [JS203011SCQN](#)