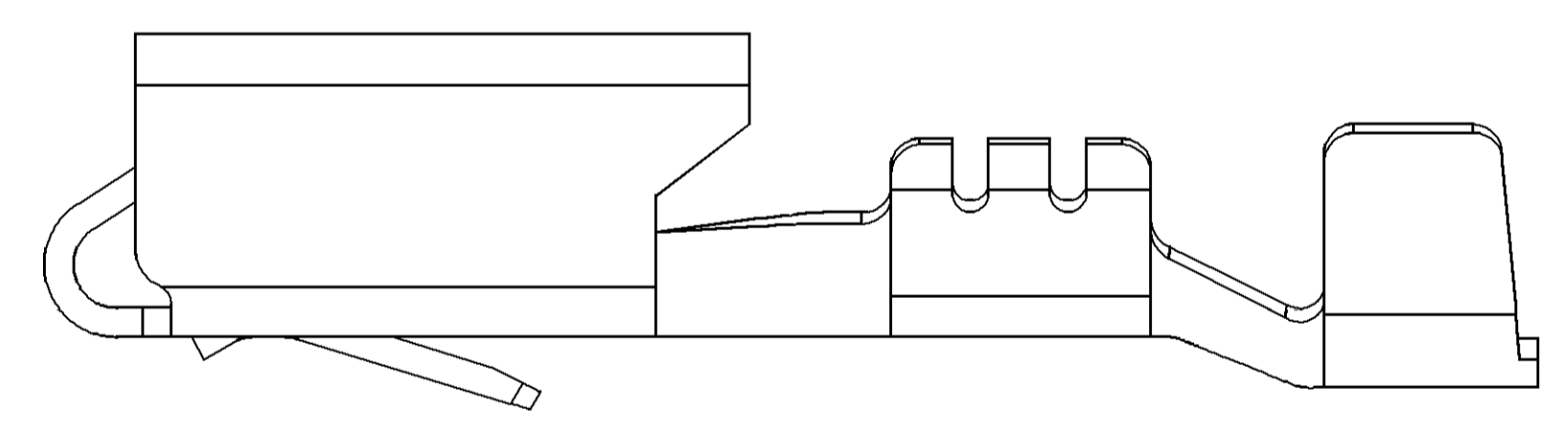
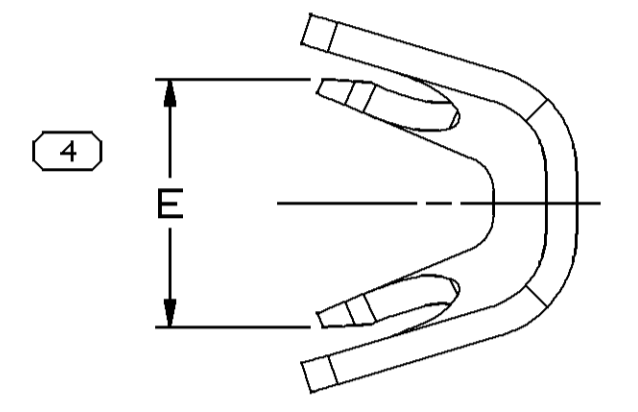
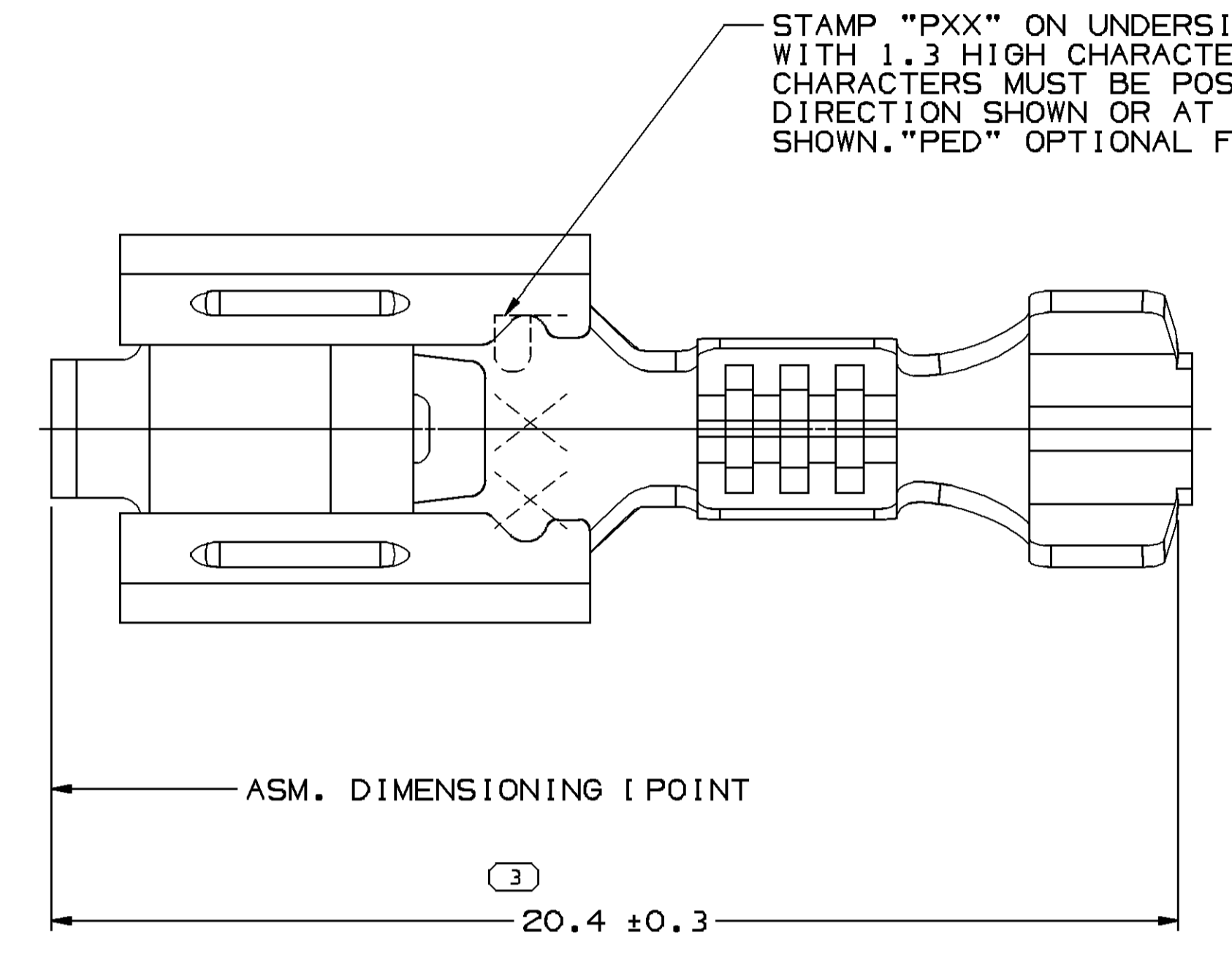
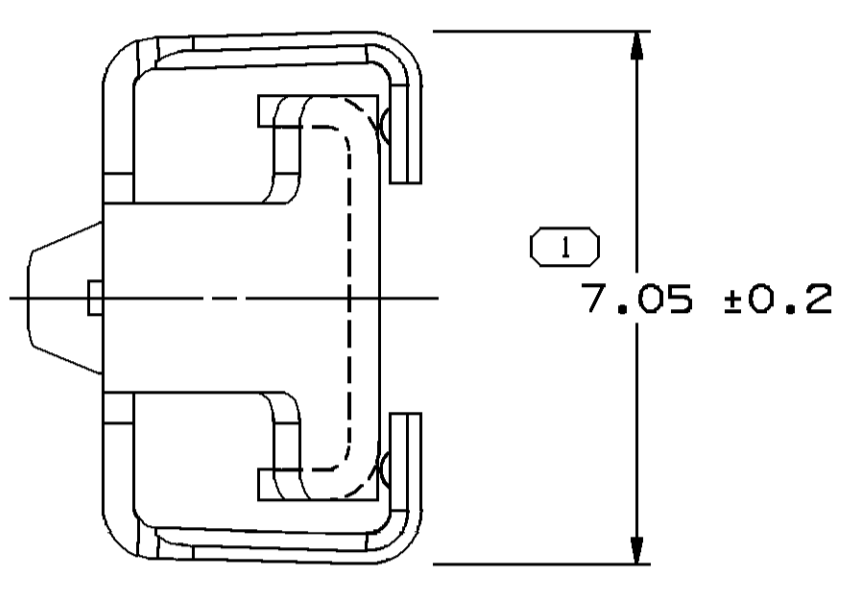
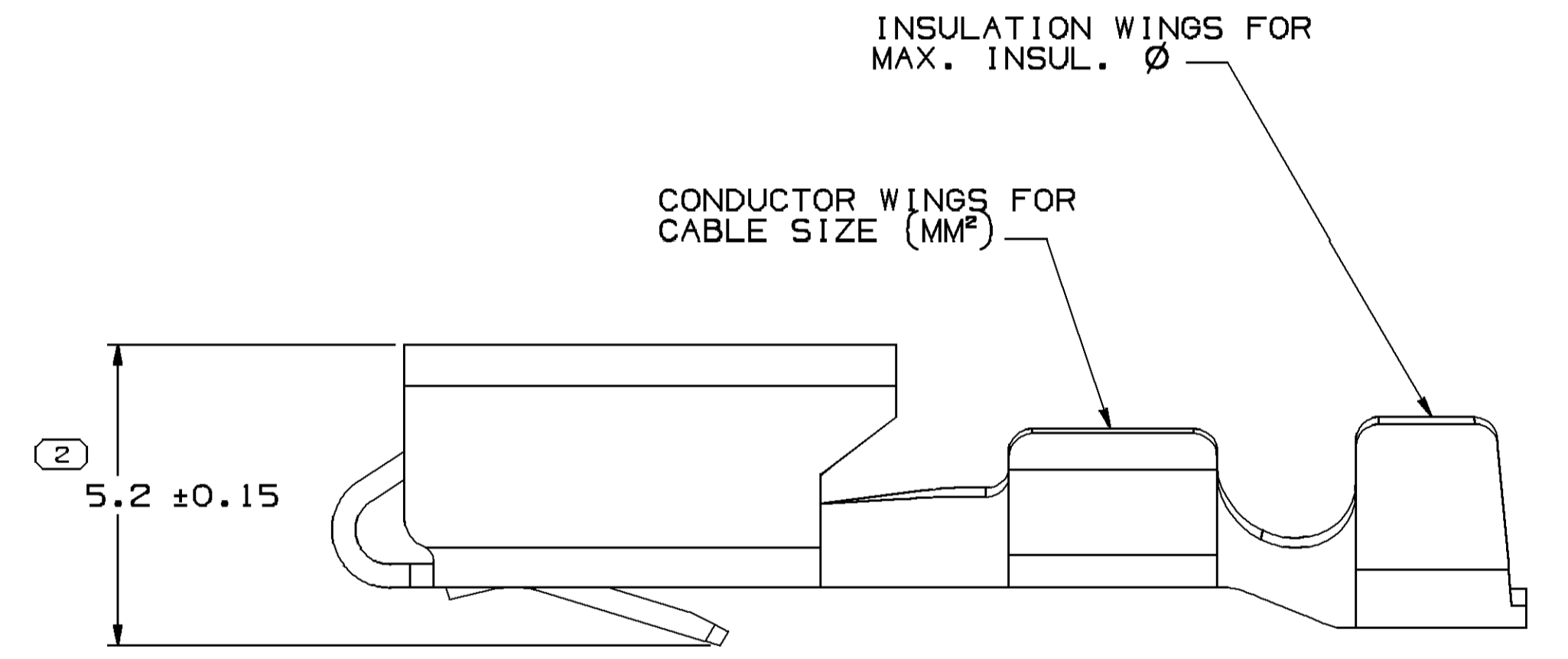


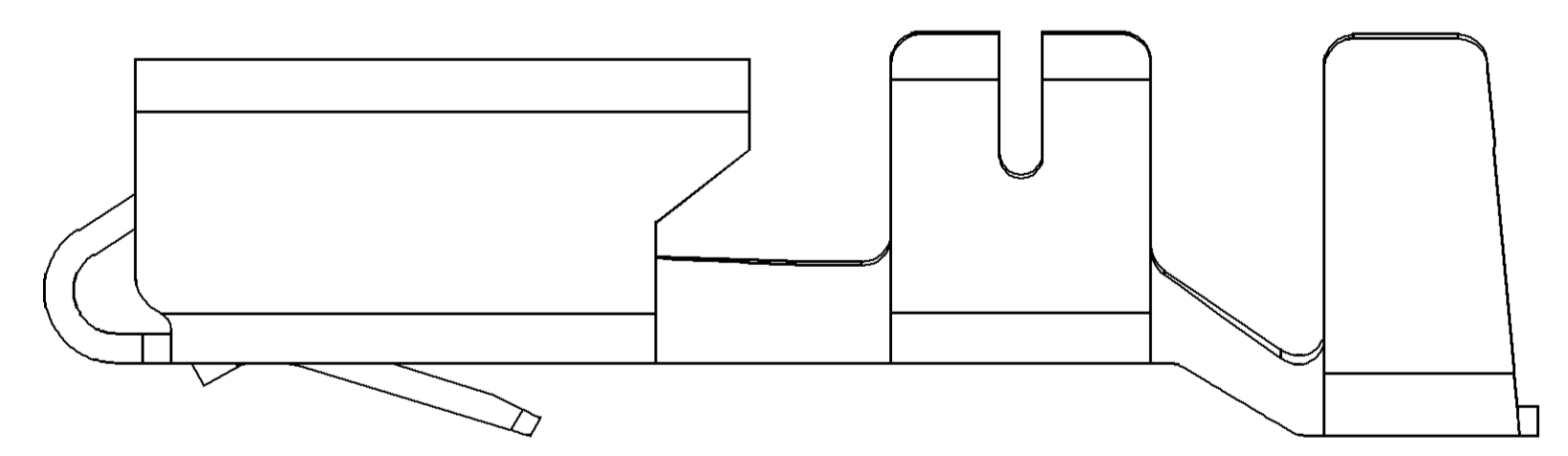
SYMBOL DEFINITION				MISSING NUMBERS		REVISION HISTORY												
THE NUMBER INSIDE THE SYMBOL CORRESPONDS TO THE NUMBER ON THE INSPECTION REPORT FOR THIS DRAWING/PART NUMBER	TOTAL NO. OF SYMBOLS ON DRAWING	LAST NO. USED		DATE	STG	REV	N/P	CHG	ZONE	REVISION HISTORY					AUTH	DR	APVD	APVD
4	4			25MY99	R	001	-	-	-	CLEARED REVISION COLUMN - 12015833 - OBSOLETE					990003	MAR	MAR	LRT
				03SE99	R	002	-	-	-	12015833, 35, 36, 68, 72, 12015252, 53, 55, 12015333 - REINSTATE					990010	HH	OMP	JH
				03SE99	R	003	-	-	-	12015832, 33, 35, 36, 68, 69, 70, 72, 12015252, 53, 55, 12015333 - REVISED ANTI-ROTATION COLUMN					195278	HH	OMP	JH
				03SE99	R	004	-	-	-	12015833, 35, 36, 68, 72, 12015252, 53, 55, 12015333 - OBSOLETE					990003	HH	OMP	JH
				10DE07	R	05	-	-	-	ALL ACTIVE PARTS - REVISED MATERIAL SPECIFICATIONS TO LATEST STANDARD					403174	RH	RH	BDG
				24JUN08	R	06	-	-	-	12066276 - OBSOLETE AND REPLACED BY 12052224					405106	JTZ	JAA	RAP
				04FE09	R	07	-	-	-	12015832 & 12066268 - OBSOLETE AND REMOVED REPLACED BY COLUMN OF CHART					407267	EPS	FKV	RAP
				26MY10	R	08	-	-	-	ALL ACTIVE PARTS - ADDED TYPE VIEWS 103 & 104					407485	EVV	EVV	GEM



TYPE 103
SAME AS TYPE 101
EXCEPT AS SHOWN



TYPE 101



TYPE 104
SAME AS TYPE 101
EXCEPT AS SHOWN

- NOTES
- UNLESS OTHERWISE SPECIFIED AND/OR INDICATED:
DIMENSIONS ARE TO FACE OF VIEW SHOWN AND AUTOMATICALLY ROUNDED BY COMPUTER FOR INSPECTION (SEE MATH MODEL FOR PRECISE DIMENSIONS). FOR ALL OTHER DIMENSIONS NOT SHOWN BUT REQUIRED FOR TOOL BUILD, SEE MATH MODEL FOR PRECISE TOOL PATH DATA.
 - A R 0.4 MAX IS PERMISSIBLE ON ALL "SHARP" CORNERS UNLESS OTHERWISE SPECIFIED. ALL LOCKING FEATURES MUST HAVE SHARP CORNERS
 - TERMINALS TO HAVE TERMINAL ENGAGE OF 8N TO 28N AND TERMINAL DISENGAGE OF 8N TO 28N WHEN MATED TO A 6.3 X 0.81 HARDENED STEEL BLADE. (DISENGAGE MAY BE EXCLUDED WHEN BOX HEIGHT, BOX WIDTH, MINIMUM BOX ENTRANCE, NOSE RADIUS AND TERMINAL ENGAGE ARE MAINTAINED)
 - RECOVERY NOTE - AFTER INSERTION INTO A 4.3 FUNCTIONAL GAGE, 5.4 TANG MUST RECOVER TO A MINIMUM OF 4.7.
 - VISIBLE CRACKS ARE NOT PERMISSIBLE.
 - "PXX" INDICATES "P" PLUS LAST TWO DIGITS OF MAKE SERIES NUMBERS (P01,P02,P03,ETC).
 - DO NOT PROBE, TEST OR OTHERWISE CONTACT THE INTERIOR REGION (THE SPRING OR ANY MOVING PART) OF THIS TERMINAL. SEVERE DAMAGE CAN OCCUR, COMPROMISING THE PERFORMANCE OF THE ELECTRICAL INTERFACE.

PART NO	REV	N/P	STATUS	MAT'L	SIZE	MAT'L	SPEC	PART NO	REV	STATUS	MAT'L	SIZE	MAT'L	SPEC	SIZE (MMF)	CABLE	ID	TYPE	ANTI-ROTATION NIB
12089675	A		OBSOLETE	0.406X33.73				12084596	D2		0.406X33.73	COPPER ALLOY	(215-3	211	5.24-3.49	104	6.6	**	YES
12066268	E2		OBSOLETE	0.406X33.73	COPPER ALLOY	12052222	E2	0.406X33.73	COPPER ALLOY	0.5-0.35	21	2.51-1.84	103	2.4+0.2					
12066276	E2		OBSOLETE	0.406X33.73	COPPER ALLOY	12052224	E2	0.406X33.73	COPPER ALLOY	3	12	3.1-2.94	104	4.6					YES
12020143	F		OBSOLETE	0.406X33.73				12020144	Ø	OBSOLETE	0.406X33.73		(210.35	222	2-1.35	102	3.6		
12015836	D3		OBSOLETE	0.406X33.73				12020035	Ø2		0.406X33.73	COPPER ALLOY	(210.8-0.5	219	3.12-2.03	101	5.1		
12015835	E3		OBSOLETE	0.406X33.73				12015868	E3	OBSOLETE	0.406X33.73		(215-3	211	5.24-3.49	101	6.6	YES	
12015833	E3		OBSOLETE	0.406X33.73				12015872	F3	OBSOLETE	0.406X33.73		0.35	22	2-1.84	102	2.2		
12015832	H3		OBSOLETE	0.406X33.73	COPPER ALLOY	12015870	F3	0.406X33.73	COPPER ALLOY	2-1	15	3.97-2.48	101	3.7			YES		
12015333	Ø3		OBSOLETE	0.406X33.73				12015869	J3		0.406X33.73	COPPER ALLOY	0.8-0.5	19	3.12-2.03	103	3.2		
								12015255	F3	OBSOLETE	0.406X33.73		(215-3	211	5.24-3.49	101	6.6	YES	
								12015253	E3	OBSOLETE	0.406X33.73		0.35	23	2-1.84	102	2.2		
								12015252	E3	OBSOLETE	0.406X33.73		2-1	15	3.97-2.48	101	3.7	YES	
												0.8-0.5	19	3.12-2.03	101	3.2			

DRG TYPE: PART DRAWING

STYLE: D

VOLUME (OMP): D

DISTR CODE: D

UNLESS OTHERWISE SPECIFIED

THIS DOCUMENT IS IN ACCORDANCE WITH ASME Y14.5M-1994 AS MODIFIED BY THE 3D DIMENSIONING AND TOLERANCING ADDENDUM-2001. SEPARATE PATTERNS OF FEATURES MAY BE SHOWN SEPARATELY REGARDLESS OF DATUM REFERENCES.

ALL DIMENSIONS ARE IN MILLIMETERS

REFERENCE:

PROCESS SENSITIVE DIMENSION

DIMENSIONS ENCLOSED IN () INDICATE REFERENCE DIMENSIONS AND NO TOLERANCE LIMITS ARE ESTABLISHED

THIRD ANGLE PROJECTION

DO NOT SCALE

USE MATH DATA

ANGULAR TOLERANCE: ±0.2

DELPHI

DELPHI PACKARD ELECTRICAL/ELECTRONIC ARCHITECTURE
WARREN, OH

DATE:

DR: J. C. ORTIZ

APVD: MANUEL VEGA

APVD: D. MANGIARELLI

APVD:

SUBSTANCES OF CONCERN AND RECYCLED CONTENT PER DELPHI (0449001)

MATERIAL: SEE CHART

DRAWING NAME: TAXI TERM F/W P 630 TANG

DRAWING NUMBER: 12065521

SIZE: A0

SCALE: 10:1

FRAME NO: 1

SHEET NO: 1

STG: 1

REV: R

N/P: 08

DATE: 28-May-10 Time: 07:33

Mouser Electronics

Authorized Distributor

Click to View Pricing, Inventory, Delivery & Lifecycle Information:

[Aptiv:](#)

[12020035](#) [12015869-L](#) [12015870-L](#) [12052224-L](#) [12015869](#) [12015870](#) [12052224](#) [12020035-L](#) [12020035-MR](#)
[12015870-MR](#) [12015869-MR](#) [12052224-MR](#)