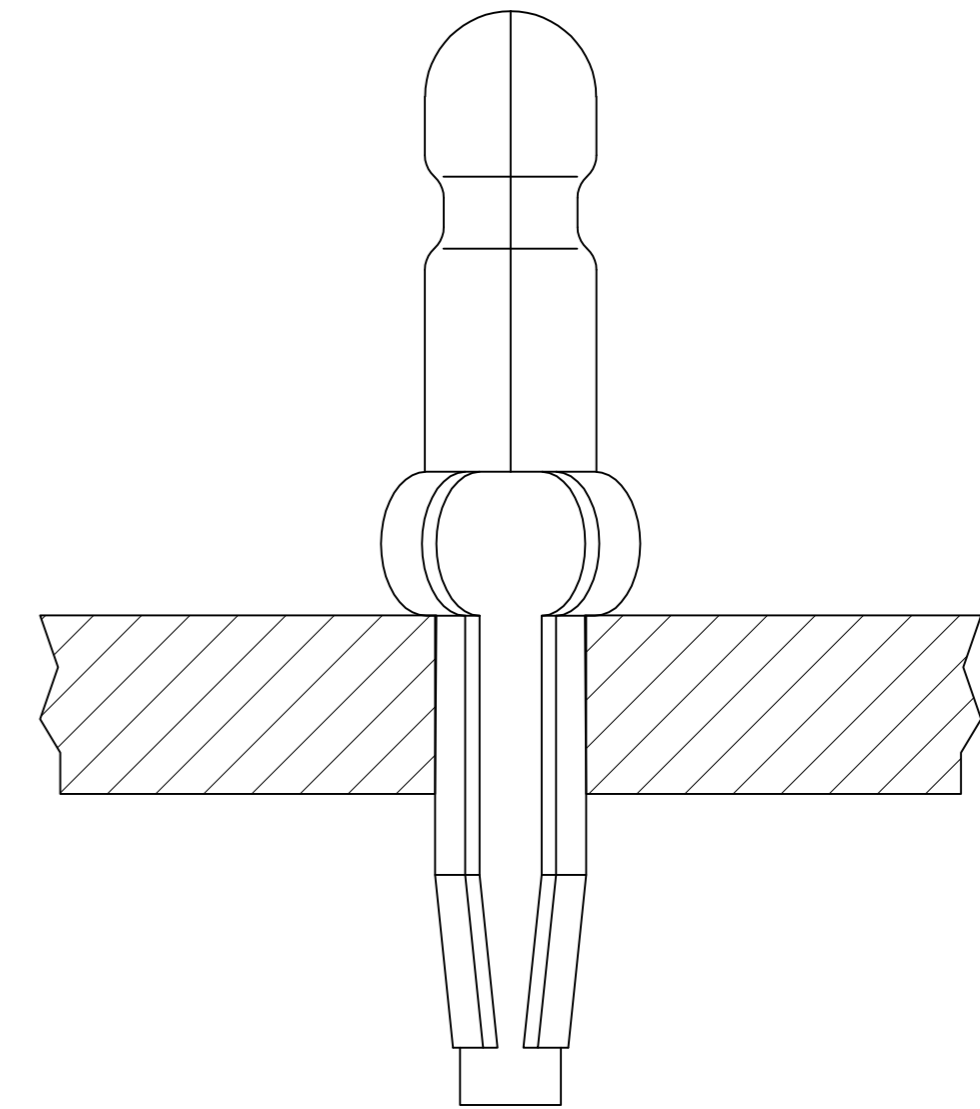
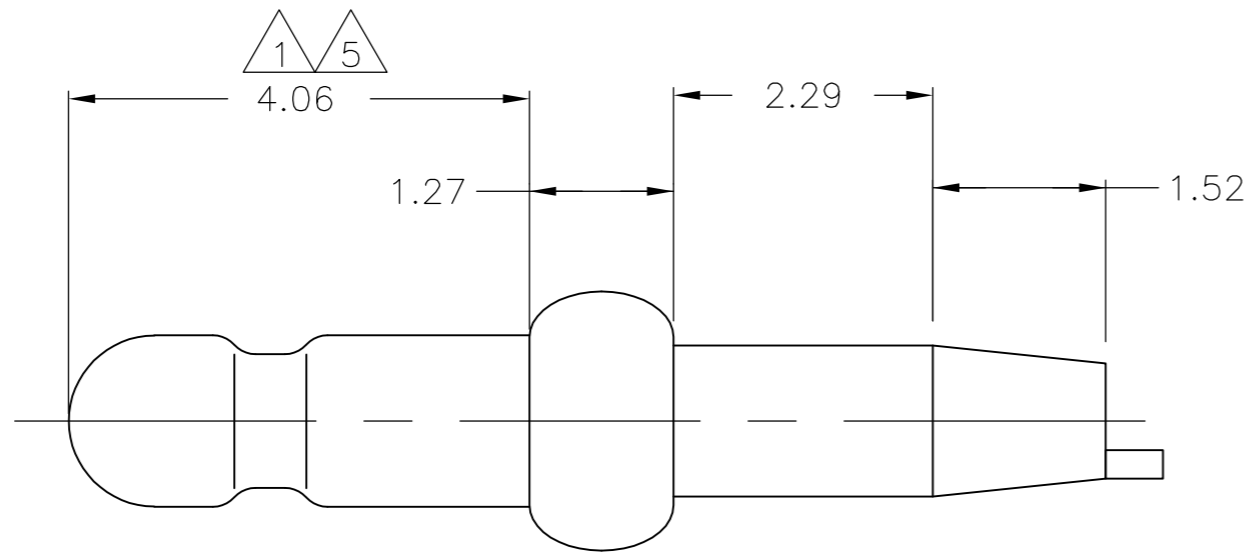
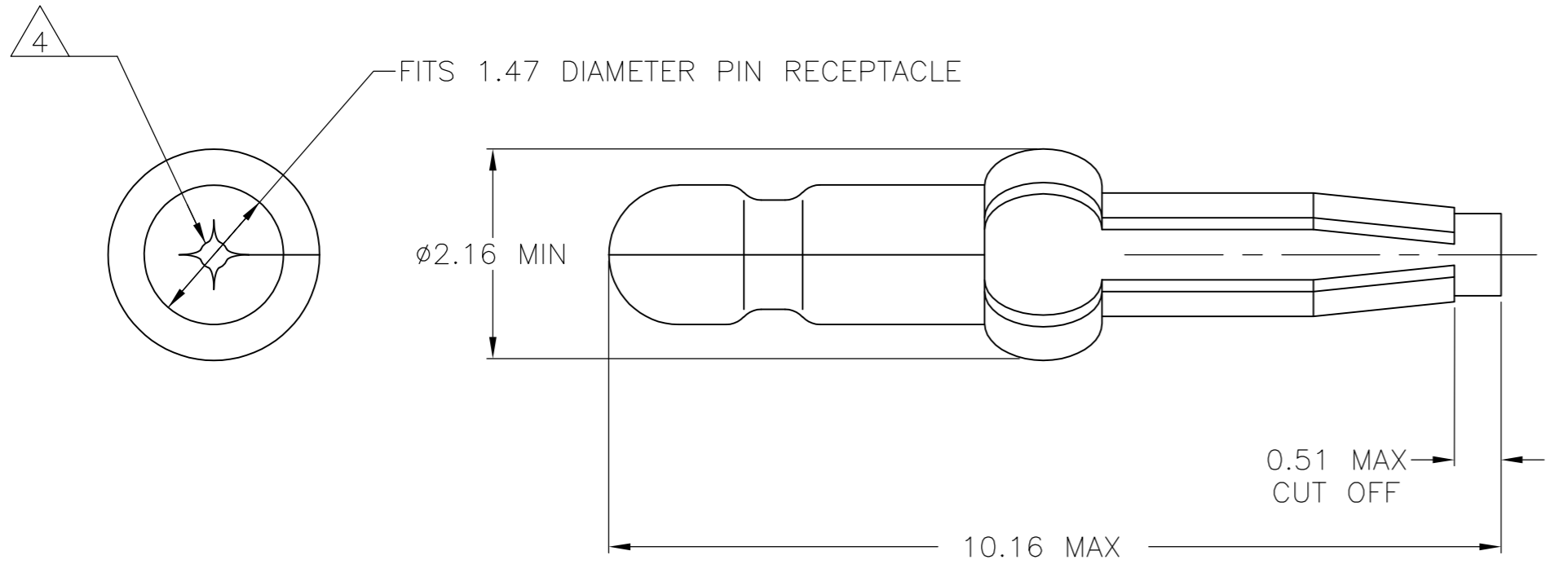


THIS DRAWING IS UNPUBLISHED. RELEASED FOR PUBLICATION
 © COPYRIGHT - By - ALL RIGHTS RESERVED.

LOC		DIST		REVISIONS			
P	LTR	DESCRIPTION		DATE	DWN	APVD	
CM	0	N2		REVISED PER ECR-15-015654	27JAN2016	BW	CJ



- 1 0.00076 MIN GOLD PLATING IN THIS AREA WITH 0.00381 MIN MATTE TIN LEAD ON THE REMAINDER, BOTH OVER 0.00127 MIN NICKEL UNDERPLATE.
- 2 FITS 1.17 - 1.27 DIAMETER HOLE IN A 1.57 OR 2.39 PRINTED CIRCUIT BOARD.
- 3 PARTS TO COMPLY WITH AMP SOLDERABILITY SPECIFICATION 109-11-3.
- 4 0.05-0.25 DIAMETER OPENING REQUIRED IN TIP OF PIN.
- 5 0.00076 MIN GOLD PLATING IN THIS AREA WITH 0.00381 MIN MATTE TIN ON THE REMAINDER, BOTH OVER 0.00127 MIN NICKEL UNDERPLATE.

5	3-61067-1
1	61067-1
FINISH	PART NUMBER

MM	IN	MM	IN	MM	IN	MM	IN
0.13	.005	1.27	.050	2.29	.090	-	-
0.05	.002	1.17	.046	2.16	.085	-	-
0.00381	.000150	1.02	.040	1.57	.062	10.16	.400
0.00127	.000050	0.51	.020	1.52	.060	4.06	.160
0.00076	.000030	0.25	.010	1.47	.058	2.39	.094

CONVERSION TABLE

THIS DRAWING IS A CONTROLLED DOCUMENT.		DWN	T. BECK	8-22-97	 TE Connectivity	
DIMENSIONS: mm		CHK	R. SWING	8-22-97		
TOLERANCES UNLESS OTHERWISE SPECIFIED:		APVD	A. BEDDICK	9-10-97		
0 PLC ± - 1 PLC ± - 2 PLC ± 0.13 3 PLC ± - 4 PLC ± - ANGLES ± -		PRODUCT SPEC	108-1025			
MATERIAL: 0.25 PH BRZ		FINISH	SEE TABLE		APPLICATION SPEC	114-1008
		WEIGHT	-		SIZE	A2
		CUSTOMER DRAWING			CAGE CODE	00779
		SCALE	15:1		DRAWING NO	C-61067
		SHEET	1 of 1		RESTRICTED TO	-
		REV	N2			

Mouser Electronics

Authorized Distributor

Click to View Pricing, Inventory, Delivery & Lifecycle Information:

[TE Connectivity:](#)

[3-61067-1](#)