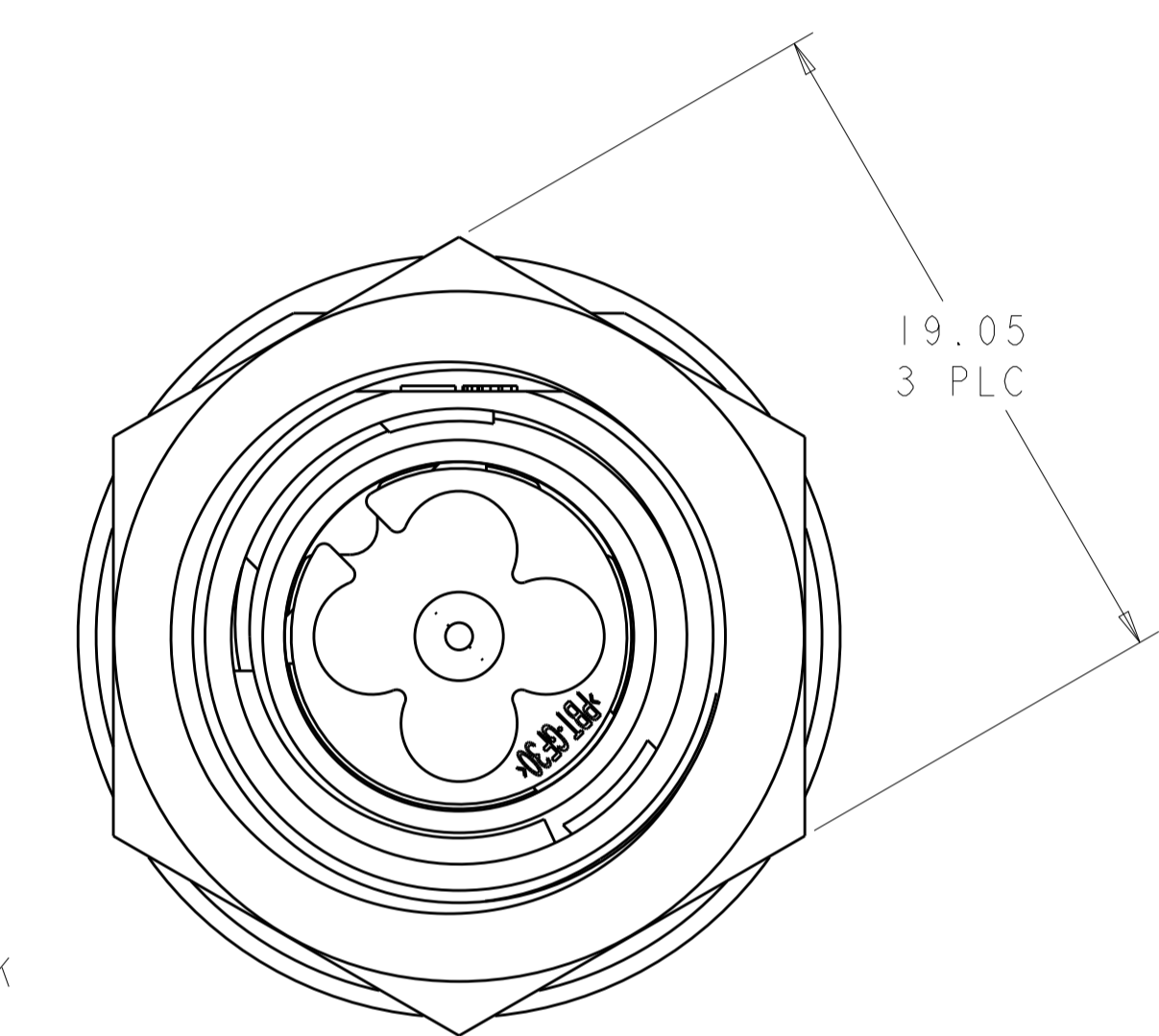
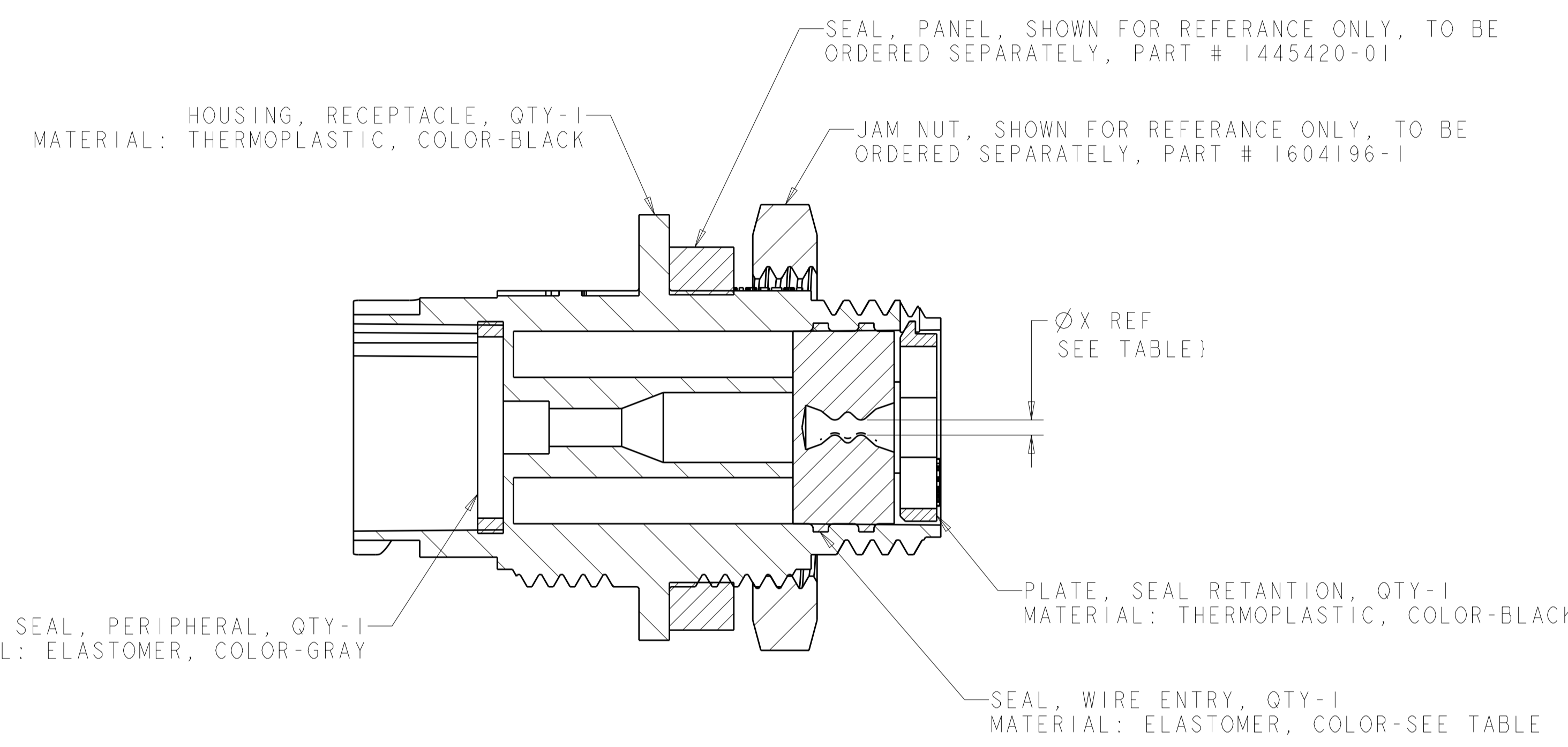
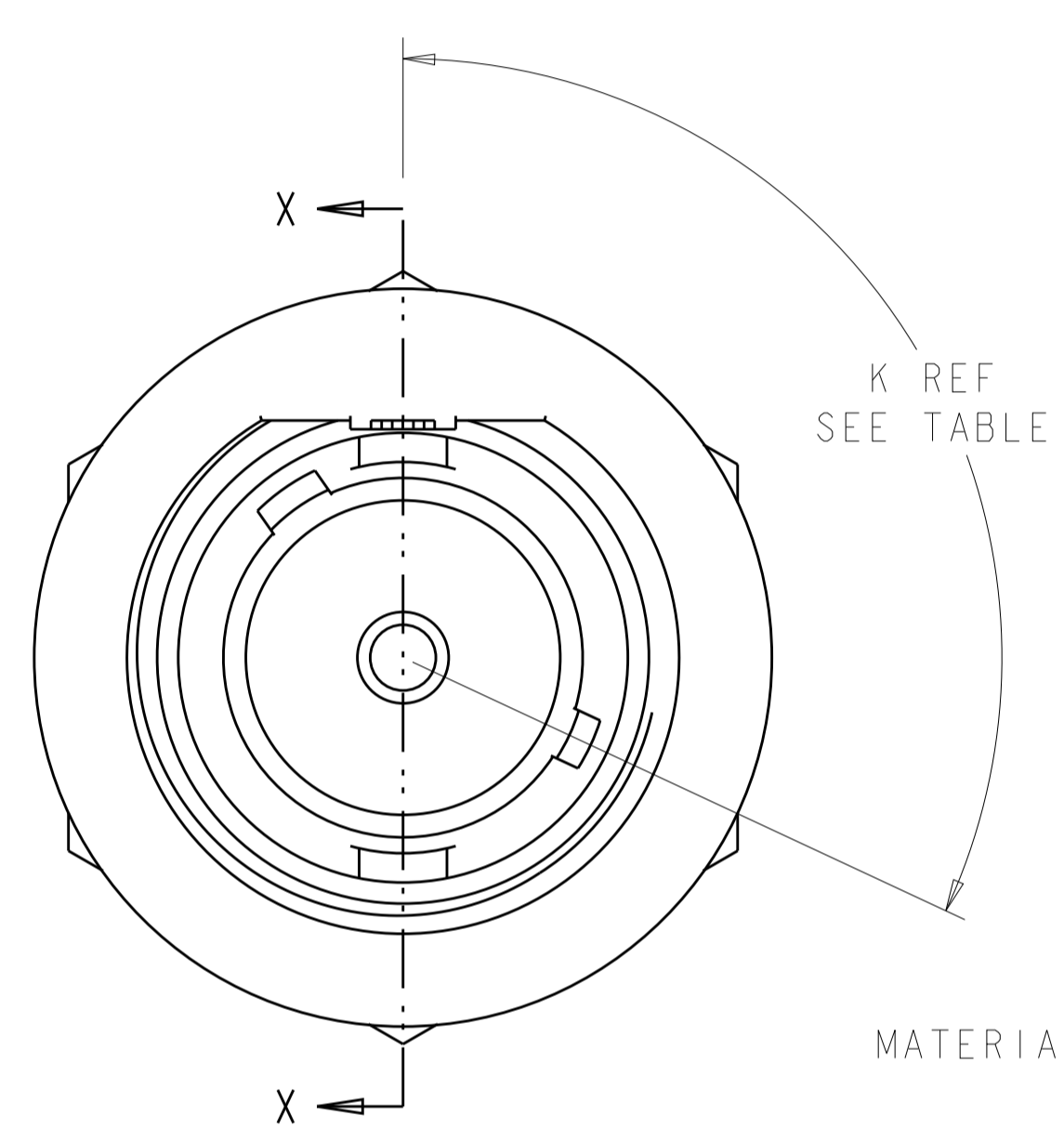
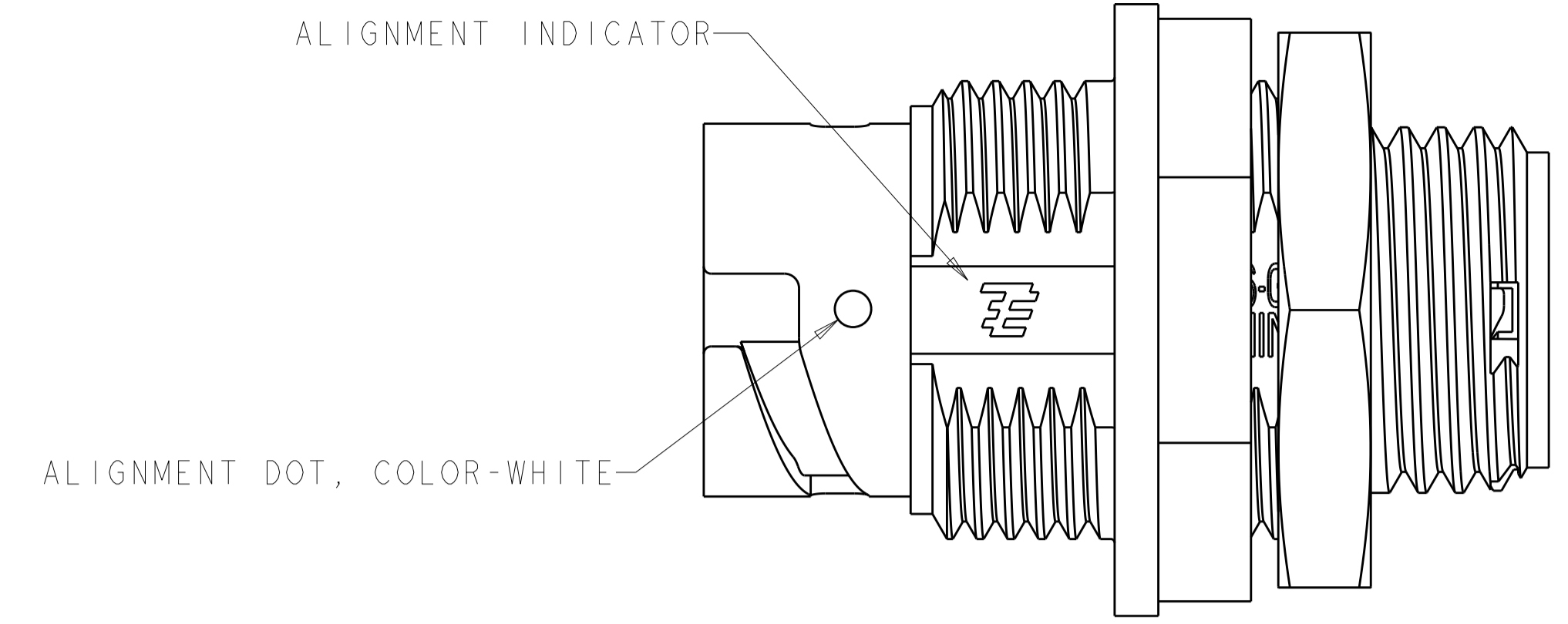
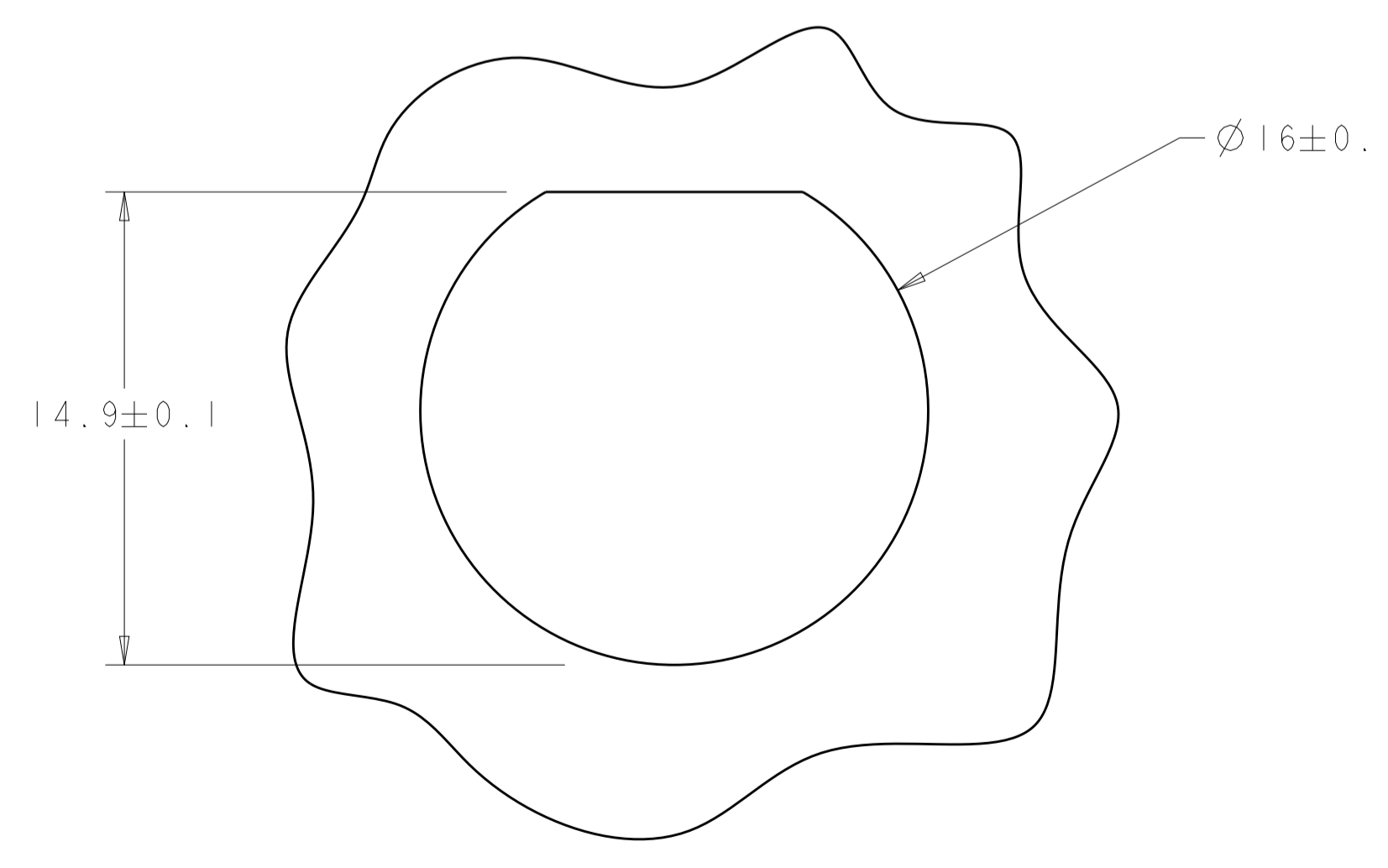
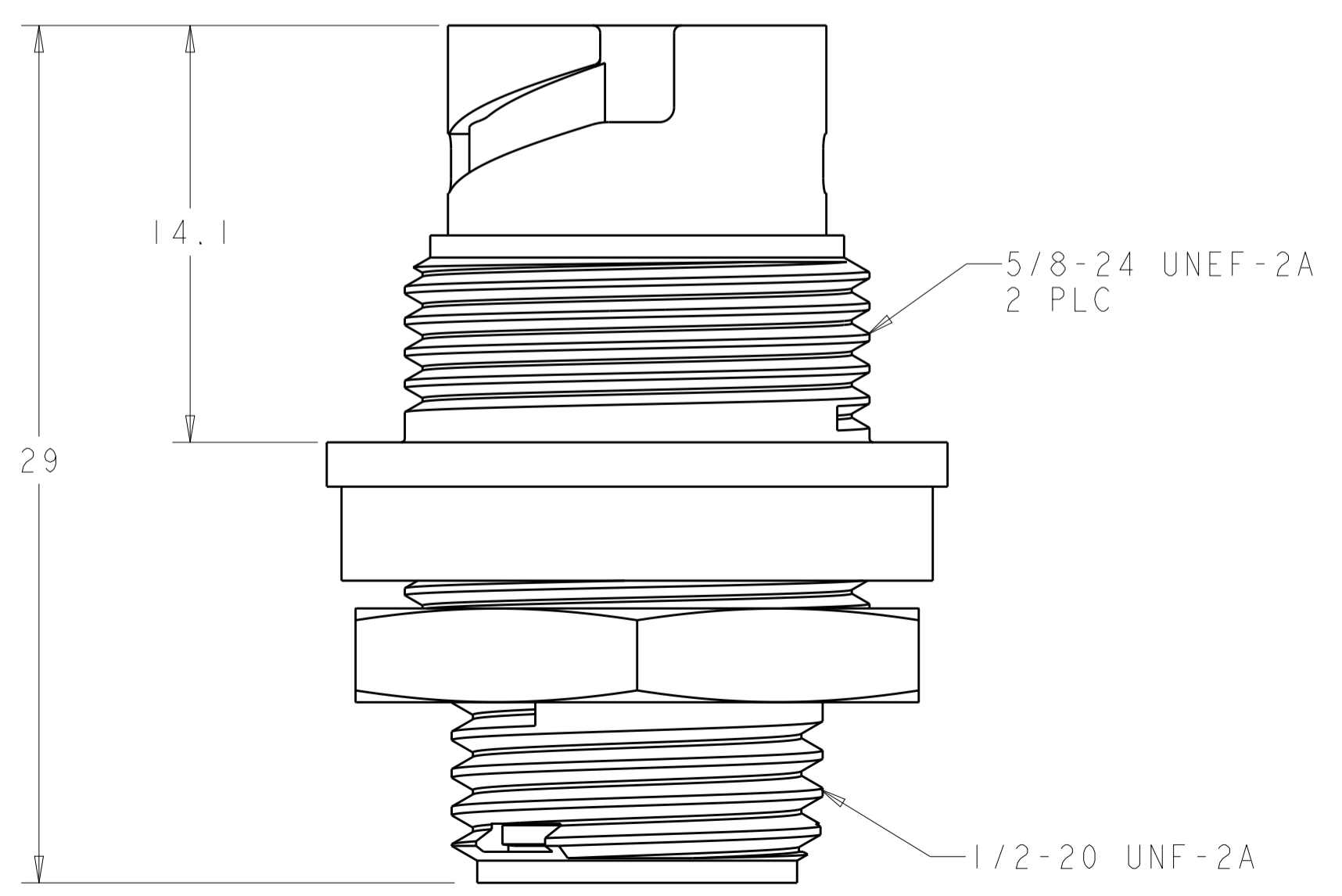


REVISIONS				
P.	LTN	DESCRIPTION	DATE	DWN APVD
B2		REVISED PER ECO-15-010004	11JUL2015	NK MZ
C		REVISED PER ECO-16-018352	24MAR2017	RS MZ



SECTION X-X

1. CONNECTOR CAN BE FRONT OR REAR PANEL MOUNTED.
 △ MAX PANEL THICKNESS - 3.18



SUGGESTED PANEL CUTOUT △

OBSOLETE	YELLOW	Ø 0.75	130°	1445539-04
	NATURAL	Ø 1.5	115°	1445539-03
OBSOLETE	NATURAL	Ø 1.5	130°	1445539-02
	YELLOW	Ø 0.75	115°	1445539-01
	SEAL, WIRE ENTRY COLOR	Ø X REF	K REF	PART NUMBER

THIS DRAWING IS A CONTROLLED DOCUMENT.		DWN S WUEST 08MAY2001	TE Connectivity
DIMENSIONS: mm		CHK G DOUTY 08MAY2001	
TOLERANCES UNLESS OTHERWISE SPECIFIED:		APVD H WAKEEM 13JUN2003	NAME ASSEMBLY, RECEPTACLE, SIZE 8, 1 POSITION, PANEL MOUNT, MINI CPC
0 PLC ±0.5 1 PLC ±0.13 2 PLC ±0.013 3 PLC ±0.001 4 PLC ±0.001 ANGLES ±0.001		PRODUCT SPEC	SIZE CAGE CODE DRAWING NO
MATERIAL SEE CALLOUT		APPLICATION SPEC	A100779C=1445539
		WEIGHT	RESTRICTED TO
		CUSTOMER DRAWING	SCALE 5:1 SHEET 1 OF 1 REV C

Mouser Electronics

Authorized Distributor

Click to View Pricing, Inventory, Delivery & Lifecycle Information:

[TE Connectivity:](#)

[1445539-3](#)