

## Valve connectors - SAC-3P-MS/BI-1L-Z SCO - 1458567

Please be informed that the data shown in this PDF Document is generated from our Online Catalog. Please find the complete data in the user's documentation. Our General Terms of Use for Downloads are valid (<http://phoenixcontact.com/download>)



Valve connectors, 3-position, Plug straight M12, A-coded, on Valve connector BI (11 mm), with 1 LED, connected with Z diode



### Key Commercial Data

Packing unit	1 pc
Weight per Piece (excluding packing)	26.7 g
Custom tariff number	85366990
Country of origin	Germany

### Technical data

#### Ambient conditions

Ambient temperature (operation)	-25 °C ... 85 °C (valve plug)
Degree of protection	IP65
	IP67

#### General

Rated current at 40°C	4 A
Rated voltage	24 V AC/DC
Number of positions	3
Insulation resistance	≥ 100 MΩ
Coding	A - standard
Standards/regulations	M12 connector IEC 61076-2-101
Status display	Yellow LED
Protective circuit/component	Z diode
Overvoltage category	II
Degree of pollution	3
Connection method	M12 connector

# Valve connectors - SAC-3P-MS/BI-1L-Z SCO - 1458567

## Technical data

### General

Insertion/withdrawal cycles	≥ 100
Torque	0.6 Nm (Valve connector)

### Material

Flammability rating according to UL 94	HB
Contact material	CuSn
Contact surface material	Ni/Au
Contact carrier material	PA66
Valve plug contact material	CuSn
Valve plug contact surface material	Sn
Valve plug contact insert material	PA 66
Material housing valve plug	TPU
Material, knurls	Zinc die-cast, nickel-plated
Sealing material	TPU (Seal molded)

### Standards and Regulations

Standard designation	M12 connector
Standards/regulations	IEC 61076-2-101
Flammability rating according to UL 94	HB

## Classifications

### eCl@ss

eCl@ss 4.0	27140815
eCl@ss 4.1	27140815
eCl@ss 5.0	27143423
eCl@ss 5.1	27143423
eCl@ss 6.0	27143423
eCl@ss 7.0	27449001
eCl@ss 8.0	27440104
eCl@ss 9.0	27440105

### ETIM

ETIM 4.0	EC002062
ETIM 5.0	EC002062

### UNSPSC

UNSPSC 6.01	31251501
UNSPSC 7.0901	31251501

# Valve connectors - SAC-3P-MS/BI-1L-Z SCO - 1458567

## Classifications

### UNSPSC

UNSPSC 11	31251501
UNSPSC 12.01	31251501
UNSPSC 13.2	31251501

## Approvals

### Approvals

#### Approvals

GL / EAC / CSAus

#### Ex Approvals

#### Approvals submitted

## Approval details

GL
----

EAC
-----

CSAus	
Nominal current IN	4 A
Nominal voltage UN	24 V

## Accessories

### Accessories

Screwdriver tools

## Valve connectors - SAC-3P-MS/BI-1L-Z SCO - 1458567

### Accessories

Screw insert - SF-BIT-PH 1-70 - 1212582



Screw bit, PH crosshead, E6.3-1/4" drive, size: PH 1 x 70 mm, hardened, suitable for holder according to DIN 3126-F6.3/ISO 1173

---

### Sensor/actuator cable

Connecting cable - SAC-3P-FS SCO V/.../... - 1406702



Connecting cable, 3-position, Variable cable type, free cable end, on Socket straight M12 SPEEDCON, A-coded, Cable length: Free input (0.2 ... 40.0 m), For valve plug adapters

---

Sensor/Actuator cable - SAC-3P-M12MS/3,0-PUR/M12FS 345 - 1402560



Sensor/Actuator cable, 3-position, Plug straight M12, A-coded, on Socket straight M12, A-coded, Cable length: 3 m, For valve connector

---

Sensor/Actuator cable - SAC-3P-M12MS/5,0-PUR/M12FS 345 - 1402561



Sensor/Actuator cable, 3-position, Plug straight M12, A-coded, on Socket straight M12, A-coded, Cable length: 5 m, For valve connector

---

Sensor/Actuator cable - SAC-3P-M12MS/10,0-PUR/M12FS 345 - 1402562



Sensor/Actuator cable, 3-position, Plug straight M12, A-coded, on Socket straight M12, A-coded, Cable length: 10 m, For valve connector

# Valve connectors - SAC-3P-MS/BI-1L-Z SCO - 1458567

## Accessories

### Torque tool

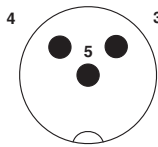
Torque screwdriver - TSD-M 1,2NM - 1212224



Torque screw driver, accuracy as per EN ISO 6789 standard, adjustable from 0.3 - 1.2 Nm

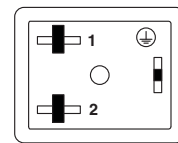
## Drawings

Schematic diagram



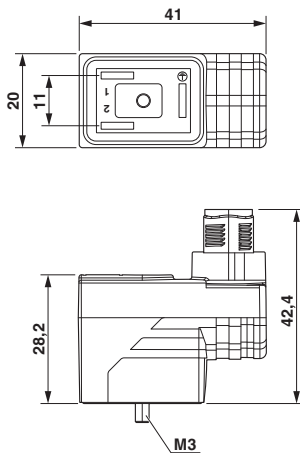
Pin assignment M12 plug, 3-pos., A-coded, view male side

Schematic diagram

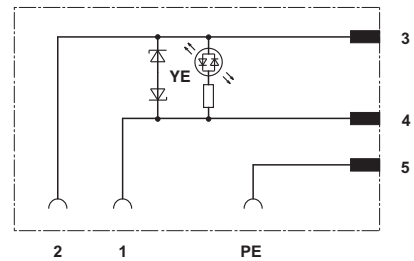


Valve connector pin assignment, type BI

Dimensional drawing



Circuit diagram



# Mouser Electronics

Authorized Distributor

Click to View Pricing, Inventory, Delivery & Lifecycle Information:

[Phoenix Contact:](#)

[1458567](#)