

LMK03806 Ultra Low Jitter Clock Generator With 14 Programmable Outputs

1 Features

- High Performance, Ultra Low Jitter Clock Generator
- Low Jitter
 - < 50-fs Jitter (1.875 MHz – 20 MHz) at 312.5-MHz Output Frequency
 - < 150-fs Jitter (12 kHz – 20 MHz) at 312.5-MHz Output Frequency
- Generates Multiple Clocks from a Low-Cost Crystal or External Clock.
- 14 Outputs With Programmable Output Format (LVDS, LVPECL, CMOS)
- Up to 8 Unique Output Frequencies.
- Industrial Temperature Range: –40 to 85 °C
- Tunable VCO Frequency from 2.37 – 2.6 GHz
- Programmable Dividers to Generate Multiple Clocks from a Low Cost Crystal.
- 3.15-V to 3.45-V Operation

2 Applications

- Ultra High-Speed Serial Interfaces in SONET/SDH
- Multi-Gigabit Ethernet and Fiber Channel Line Cards
- Base Band Units (BBUs) for RAN Applications
- GPON OLT/ONU , High-Speed Serial Interface such as PCIe, XAUI, SATA, SAS
- Clocking ADC, and DACs
- Clocking DSP, Microprocessors, and FPGAs

3 Description

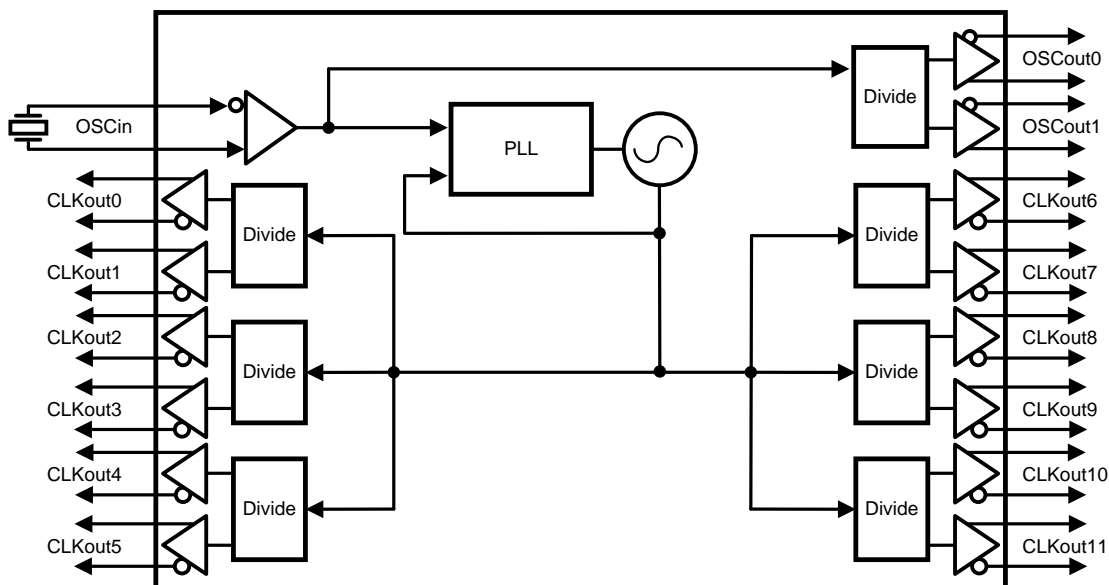
The LMK03806 device is a high-performance, ultra low-jitter, multi-rate clock generator capable of synthesizing 8 different frequencies on 14 outputs at frequencies of up to 2.6 GHz. Each output clock is programmable in LVDS, LVPECL or LVC MOS format. The LMK03806 integrates a high-performance integer-N PLL, low-noise VCO, and programmable output dividers to generate multiple reference clocks for SONET, Ethernet, Fiber Channel, XAUI, Backplane, PCIe, SATA, and Network Processors from a low-cost crystal.

Device Information⁽¹⁾

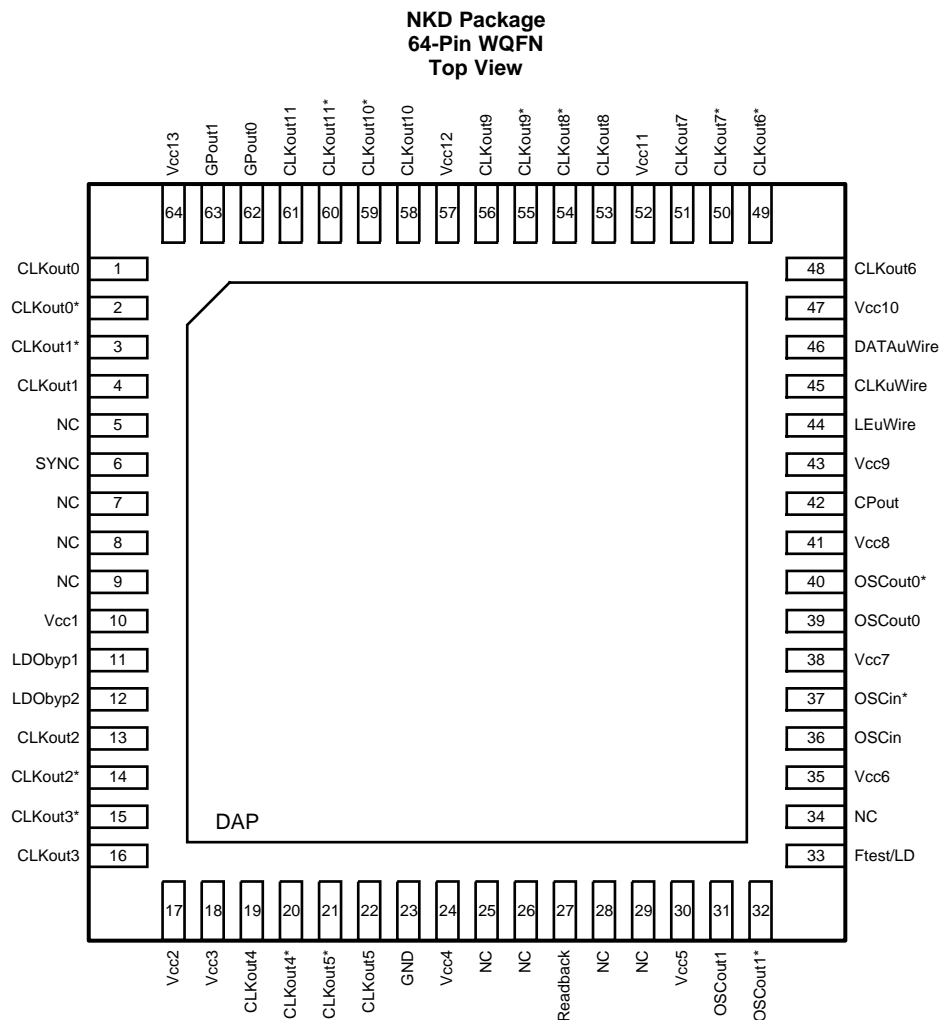
PART NUMBER	PACKAGE	BODY SIZE (NOM)
LMK03806	WQFN (64)	9.00 mm x 9.00 mm

(1) For all available packages, see the orderable addendum at the end of the data sheet.

Functional Block Diagram



5 Pin Configuration and Functions



Pin Functions

PIN		I/O	TYPE	DESCRIPTION
NAME	NO.			
CLKout0, CLKout0*	1, 2	O	Programmable	Clock output 0 (clock group 0).
CLKout1*, CLKout1	3, 4	O	Programmable	Clock output 1 (clock group 0).
CLKout2, CLKout2*	13, 14	O	Programmable	Clock output 2 (clock group 1).
CLKout3*, CLKout3	15, 16	O	Programmable	Clock output 3 (clock group 1).
CLKout4, CLKout4*	19, 20	O	Programmable	Clock output 4 (clock group 2).
CLKout5*, CLKout5	21, 22	O	Programmable	Clock output 5 (clock group 2).
CLKout6, CLKout6*	48, 49	O	Programmable	Clock output 6 (clock group 3).
CLKout7*, CLKout7	50, 51	O	Programmable	Clock output 7 (clock group 3).
CLKout8, CLKout8*	53, 54	O	Programmable	Clock output 8 (clock group 4).
CLKout9*, CLKout9	55, 56	O	Programmable	Clock output 9 (clock group 4).
CLKout10, CLKout10*	58, 59	O	Programmable	Clock output 10 (clock group 5).
CLKout11*, CLKout11	60, 61	O	Programmable	Clock output 11 (clock group 5).
CLKuWire	45	I	CMOS	MICROWIRE Clock Input.

Pin Functions (continued)

PIN		I/O	TYPE	DESCRIPTION
NAME	NO.			
CPout	42	O	ANLG	Charge pump output.
DAP	DAP	—	GND	DIE ATTACH PAD, connect to GND.
DATAuWire	46	I	CMOS	MICROWIRE Data Input.
Ftest/LD	33	O	Programmable	Multiplexed Lock Detect and Test output pin.
GND	23	—	PWR	Ground
GPout0, GPout1	62, 63	O	CMOS	These pins can be programmed for general purpose output.
LDObyp1	11	—	ANLG	LDO Bypass, bypassed to ground with 10 μ F capacitor.
LDObyp2	12	—	ANLG	LDO Bypass, bypassed to ground with a 0.1 μ F capacitor.
LEuWire	44	I	CMOS	MICROWIRE Latch Enable Input.
NC	5, 7, 8, 9, 25, 26, 28, 29, 34	—	Do Not Connect	These pins must be left floating. Do NOT ground.
OSCut1, OSCout1*	31, 32	O	LVPECL	Buffered output 1 of OSCin port.
OSCin, OSCin*	36, 37	I	ANLG	Reference input to PLL. Reference input may be: A Crystal for use with the internal crystal oscillator circuit. A XO, TCXO, or other external clock. Must be AC Coupled.
OSCut0, OSCout0*	39, 40	O	Programmable	Buffered output 0 of OSCin port.
Readback	27	O	CMOS	Pin that can be used to readback register information.
SYNC	6	I	CMOS	Clock synchronization input.
Vcc1	10	—	PWR	Power supply for VCO LDO.
Vcc2	17	—	PWR	Power supply for clock group 1: CLKout2 and CLKout3.
Vcc3	18	—	PWR	Power supply for clock group 2: CLKout4 and CLKout5.
Vcc4	24	—	PWR	Power supply for digital.
Vcc5	30	—	PWR	Power supply for clock inputs.
Vcc6	35	—	PWR	Power supply. No bypassing required on this pin.
Vcc7	38	—	PWR	Power supply for OSCin port.
Vcc8	41	—	PWR	Power supply for PLL charge pump.
Vcc9	43	—	PWR	Power supply for PLL.
Vcc10	47	—	PWR	Power supply for clock group 3: CLKout6 and CLKout7.
Vcc11	52	—	PWR	Power supply for clock group 4: CLKout8 and CLKout9.
Vcc12	57	—	PWR	Power supply for clock group 5: CLKout10 and CLKout11.
Vcc13	64	—	PWR	Power supply for clock group 0: CLKout0 and CLKout1.

6 Specifications

6.1 Absolute Maximum Ratings

 See ⁽¹⁾⁽²⁾.

		MIN	MAX	UNIT
V _{CC}	Supply voltage ⁽³⁾	-0.3	3.6	V
V _{IN}	Input voltage	-0.3	V _{CC} + 0.3	V
T _L	Lead temperature (solder 4 seconds)		260	°C
T _J	Junction temperature		150	°C
I _{IN}	Differential input current (OSCin/OSCin*)	-5	5	mA
MSL	Moisture sensitivity level		3	
T _{stg}	Storage temperature	-65	150	°C

- (1) Stresses beyond those listed under *Absolute Maximum Ratings* may cause permanent damage to the device. These are stress ratings only, which do not imply functional operation of the device at these or any other conditions beyond those indicated under *Recommended Operating Conditions*. Exposure to absolute-maximum-rated conditions for extended periods may affect device reliability.
- (2) If Military/Aerospace specified devices are required, please contact the Texas Instruments Sales Office/Distributors for availability and specifications.
- (3) Never to exceed 3.6 V.

6.2 ESD Ratings

		VALUE	UNIT
V _(ESD)	Electrostatic discharge	Human body model (HBM), per ANSI/ESDA/JEDEC JS-001 ⁽¹⁾	±2000
		Charged-device model (CDM), per JEDEC specification JESD22-C101 ⁽²⁾	±750
		Machine model (MM)	±150

- (1) JEDEC document JEP155 states that 500-V HBM allows safe manufacturing with a standard ESD control process. Manufacturing with less than 500-V HBM is possible with the necessary precautions. Pins listed as ±2000 V may actually have higher performance.
- (2) JEDEC document JEP157 states that 250-V CDM allows safe manufacturing with a standard ESD control process. Manufacturing with less than 250-V CDM is possible with the necessary precautions. Pins listed as ±750 V may actually have higher performance.

6.3 Recommended Operating Conditions

			MIN	NOM	MAX	UNIT
T _A	Ambient temperature	V _{CC} = 3.3 V	-40	25	85	°C
T _J	Junction temperature	V _{CC} = 3.3 V			125	°C
V _{CC}	Supply voltage		3.15	3.3	3.45	V

6.4 Thermal Information

THERMAL METRIC ⁽¹⁾		LMK03806	
		NKD (WQFN)	
		64 PINS	
			UNIT
R _{θJA}	Junction-to-ambient thermal resistance on 4-layer JEDEC PCB ⁽²⁾	25.2	°C/W
R _{θJC(top)}	Junction-to-case (top) thermal resistance ⁽³⁾	6.9	°C/W
R _{θJB}	Junction-to-board thermal resistance	4.0	°C/W
ψ _{JT}	Junction-to-top characterization parameter	0.1	°C/W
ψ _{JB}	Junction-to-board characterization parameter	4.0	°C/W
R _{θJC(bot)}	Junction-to-case (bottom) thermal resistance	0.8	°C/W

- (1) For more information about traditional and new thermal metrics, see the *Semiconductors and IC Package Thermal Metrics* application report (SPRA953).
- (2) Specification assumes 32 thermal vias connect the die attach pad to the embedded copper plane on the 4-layer JEDEC PCB. These vias play a key role in improving the thermal performance of the WQFN. Note that the JEDEC PCB is a standard thermal measurement PCB and does not represent best performance a PCB can achieve. TI recommends that the maximum number of vias be used in the board layout. R_{θJA} is unique for each PCB.
- (3) Case is defined as the DAP (die attach pad)

6.5 Electrical Characteristics

3.15 V ≤ V_{CC} ≤ 3.45 V, -40 °C ≤ T_A ≤ 85 °C, Junction Temperature T_J ≤ 125 °C.

Typical values represent most likely parametric norms at V_{CC} = 3.3 V, T_A = 25 °C, at [Recommended Operating Conditions](#) at the time of product characterization and are not ensured.⁽¹⁾

PARAMETER		TEST CONDITIONS	MIN	TYP	MAX	UNIT
CURRENT CONSUMPTION						
I _{CC_PD}	Powerdown supply current	No DC path to ground on OSCout1/1* ⁽²⁾		1		mA
I _{CC_CLKS}	Supply current with all clocks enabled ⁽³⁾	CLKoutX_Y_DIV = 16, CLKoutX_TYPE = 1 (LVDS), PLL locked		445		mA
EXTERNAL CLOCK (OSCin) SPECIFICATIONS						
f _{OSCin}	PLL reference Input ⁽⁴⁾		1		500	MHz
SLEW _{OSCin}	PLL reference clock minimum slew rate on OSCin ⁽⁵⁾	20% to 80%	0.15	0.5		V/ns
V _{OSCin}	Input voltage for OSCin or OSCin* ⁽⁵⁾	AC coupled; Single-ended (Unused pin AC coupled to GND)	0.2		2.4	V _{pp}
V _{IDOSCin}	Differential voltage swing	AC coupled, see Figure 5	0.2		1.55	V
V _{SSOSCin}			0.4		3.1	V _{pp}
V _{OSCin-offset}	DC offset voltage between OSCin/OSCin* OSCinX* - OSCinX	Each pin AC coupled		20		mV
f _{doubler_max}	Doubler input frequency ⁽⁵⁾	EN_PLL_REF_2X = 1; OSCin Duty Cycle 40% to 60%			155	MHz
CRYSTAL OSCILLATOR MODE SPECIFICATIONS						
f _{XTAL}	Crystal frequency range ⁽⁵⁾	R _{ESR} ≤ 40 Ω C _L ≤ 20 pF	16		20.5	MHz
		R _{ESR} ≤ 80 Ω C _L ≤ 22 pF	6		16	MHz

- (1) In order to meet the jitter performance listed in the subsequent sections of this data sheet, the minimum recommended slew rate for all input clocks is 0.5 V/ns. This is especially true for single-ended clocks. Phase noise performance will begin to degrade as the clock input slew rate is reduced. However, the device will function at slew rates down to the minimum listed. When compared to single-ended clocks, differential clocks (LVDS, LVPECL) will be less susceptible to degradation in phase noise performance at lower slew rates due to their common mode noise rejection. However, it is also recommended to use the highest possible slew rate for differential clocks to achieve optimal phase noise performance at the device outputs.
- (2) If emitter resistors are placed on the OSCout1/1* pins, there will be a DC current to ground which will cause powerdown I_{cc} to increase.
- (3) Load conditions for output clocks: LVDS: 100 Ω differential. See [Current Consumption and Power Dissipation Calculations](#) for I_{cc} for specific part configuration and how to calculate I_{cc} for a specific design.
- (4) F_{OSCin} maximum frequency guaranteed by characterization. Production tested at 200 MHz.
- (5) Guaranteed by characterization.

Electrical Characteristics (continued)

$3.15\text{ V} \leq V_{CC} \leq 3.45\text{ V}$, $-40\text{ }^\circ\text{C} \leq T_A \leq 85\text{ }^\circ\text{C}$, Junction Temperature $T_J \leq 125\text{ }^\circ\text{C}$.

Typical values represent most likely parametric norms at $V_{CC} = 3.3\text{ V}$, $T_A = 25\text{ }^\circ\text{C}$, at [Recommended Operating Conditions](#) at the time of product characterization and are not ensured.⁽¹⁾

PARAMETER		TEST CONDITIONS	MIN	TYP	MAX	UNIT	
P_{XTAL}	Crystal power dissipation	Vectron VXB1 crystal, 20.48 MHz, $R_{ESR} \leq 40\ \Omega$ $C_L \leq 20\text{ pF}$		120		μW	
C_{IN}	Input capacitance of the OSCin port	-40 to +85 °C		6		pF	
RMS JITTER PERFORMANCE							
XO mode ⁽⁶⁾⁽⁷⁾⁽⁸⁾	Integration bandwidth 10 kHz to 1 MHz	156.25 MHz, LVDS/LVPECL		81		fs	
		312.5 MHz, LVDS/LVPECL		85		fs	
	Integration bandwidth 12 kHz to 20 MHz	100 MHz, LVDS			139		fs
		100 MHz, LVPECL			117		fs
		106.25 MHz, LVDS			145		fs
		106.25 MHz, LVPECL			126		fs
		156.25 MHz, LVDS			111		fs
		156.25 MHz, LVPECL			100		fs
		312.5 MHz, LVDS			108		fs
		312.5 MHz, LVPECL			95		fs
		622.08 MHz, LVDS/LVPECL			141		fs
		Integration bandwidth 637 kHz to 10 MHz	106.25 MHz, LVDS			78	
	106.25 MHz, LVPECL				60		fs
	Integration bandwidth 1.875 MHz to 20 MHz	156.25 MHz, LVDS			70		fs
		156.25 MHz, LVPECL			57		fs
		312.5 MHz, LVDS			57		fs
312.5 MHz, LVPECL				43		fs	

- (6) Jitter and phase noise data for 100 MHz, 156.25, and 312.5 MHz collected using a Wenzel crystal oscillator, part number 501-04623G. Loop filter values are $C_1 = 39\text{ pF}$, $C_2 = 3.3\text{ nF}$, $R_2 = 680\ \Omega$, $C_3 = 10\text{ pF}$, $R_3 = 200\ \Omega$, $C_4 = 10\text{ pF}$, $R_4 = 200\ \Omega$. Charge pump current = 3.2 mA. LVPECL emitter resistors, $R_e = 240\ \Omega$. Reference doubler disabled. VCO frequency = 2500 MHz using a phase detector frequency = 100 MHz the loop bandwidth = 80 kHz and phase margin = 60°.
- (7) Jitter and phase noise data for 106.25 MHz collected using a Wenzel crystal oscillator, part number 501-04623G. Loop filter values are $C_1 = 39\text{ pF}$, $C_2 = 3.3\text{ nF}$, $R_2 = 820\ \Omega$, $C_3 = 10\text{ pF}$, $R_3 = 200\ \Omega$, $C_4 = 10\text{ pF}$, $R_4 = 200\ \Omega$. Charge pump current = 3.2 mA. LVPECL emitter resistors, $R_e = 240\ \Omega$. Reference doubler disabled. VCO frequency = 2550 MHz using a phase detector frequency = 10 MHz the loop bandwidth = 80 kHz and phase margin = 60°.
- (8) Jitter and phase noise data for 622.08 MHz collected using a Crystec oscillator, part number CVHD-950. Loop filter values are $C_1 = 39\text{ pF}$, $C_2 = 3.3\text{ nF}$, $R_2 = 680\ \Omega$, $C_3 = 10\text{ pF}$, $R_3 = 200\ \Omega$, $C_4 = 10\text{ pF}$, $R_4 = 200\ \Omega$. Charge pump current = 3.2 mA. LVPECL emitter resistors, $R_e = 240\ \Omega$. Reference doubler enabled. VCO frequency = 2488.32 MHz using a phase detector frequency = 30.72 MHz the loop bandwidth = 80 kHz and phase margin = 60°.

Electrical Characteristics (continued)

$3.15\text{ V} \leq V_{CC} \leq 3.45\text{ V}$, $-40\text{ }^{\circ}\text{C} \leq T_A \leq 85\text{ }^{\circ}\text{C}$, Junction Temperature $T_J \leq 125\text{ }^{\circ}\text{C}$.

Typical values represent most likely parametric norms at $V_{CC} = 3.3\text{ V}$, $T_A = 25\text{ }^{\circ}\text{C}$, at [Recommended Operating Conditions](#) at the time of product characterization and are not ensured.⁽¹⁾

PARAMETER		TEST CONDITIONS	MIN	TYP	MAX	UNIT	
Crystal mode jitter ⁽⁹⁾⁽¹⁰⁾⁽¹¹⁾	Integration bandwidth 10 kHz to 1 MHz	156.25 MHz, LVDS/LVPECL		190		fs	
		312.5 MHz, LVDS/LVPECL		200		fs	
	Integration bandwidth 12 kHz to 20 MHz	100 MHz, LVDS			235		fs
		100 MHz, LVPECL			210		fs
		106.25 MHz, LVDS			280		fs
		106.25 MHz, LVPECL			250		fs
		156.25 MHz, LVDS			200		fs
		156.25 MHz, LVPECL			195		fs
		312.5 MHz, LVDS			220		fs
		312.5 MHz, LVPECL			190		fs
	Integration bandwidth 637 kHz to 10 MHz	622.08 MHz, LVDS/LVPECL			255		fs
		106.25 MHz, LVDS			90		fs
	Integration bandwidth 1.875 MHz to 20 MHz	106.25 MHz, LVPECL			65		fs
		156.25 MHz, LVDS			75		fs
		156.25 MHz, LVPECL			65		fs
		312.5 MHz, LVDS			60		fs
		312.5 MHz, LVPECL			45		fs

- (9) Jitter and phase noise data for 100 MHz, 156.25, and 312.5 MHz collected using an ECS crystal, part number ECS-200-20-30B-DU. Loop filter values are C1 = 220 pF, C2 = 18 nF, R2 = 820 Ω , C3 = 10 pF, R3 = 200 Ω , C4 = 10 pF, R4 = 200 Ω . Charge pump current = 3.2 mA. LVPECL emitter resistors, $R_e = 240\text{ }\Omega$. Reference doubler disabled. VCO frequency = 2500 MHz using a phase detector frequency = 20 MHz the loop bandwidth = 62 kHz and phase margin = 76°.
- (10) Jitter and phase noise data for 106.25 MHz collected using an ECS crystal, part number ECS-200-20-30B-DU. Loop filter values are C1 = 220 pF, C2 = 18 nF, R2 = 820 Ω , C3 = 10 pF, R3 = 200 Ω , C4 = 10 pF, R4 = 200 Ω . Charge pump current = 3.2 mA. LVPECL emitter resistors, $R_e = 240\text{ }\Omega$. Reference doubler disabled. VCO frequency = 2550 MHz using a phase detector frequency = 10 MHz the loop bandwidth = 32 kHz and phase margin = 69°.
- (11) Jitter and phase noise data for 622.08 MHz collected using a Vectron crystal, part number VXB1-1137-15M360. Loop filter values are C1 = 100 pF, C2 = 120 nF, R2 = 470 Ω , C3 = 10 pF, R3 = 200 Ω , C4 = 10 pF, R4 = 200 Ω . Charge pump current = 3.2 mA. LVPECL emitter resistors, $R_e = 240\text{ }\Omega$. Reference doubler enabled. VCO frequency = 2488.32 MHz using a phase detector frequency = 30.72 MHz the loop bandwidth = 54 kHz and phase margin = 86°.

Electrical Characteristics (continued)

$3.15\text{ V} \leq V_{CC} \leq 3.45\text{ V}$, $-40\text{ }^\circ\text{C} \leq T_A \leq 85\text{ }^\circ\text{C}$, Junction Temperature $T_J \leq 125\text{ }^\circ\text{C}$.

Typical values represent most likely parametric norms at $V_{CC} = 3.3\text{ V}$, $T_A = 25\text{ }^\circ\text{C}$, at [Recommended Operating Conditions](#) at the time of product characterization and are not ensured.⁽¹⁾

PARAMETER		TEST CONDITIONS	MIN	TYP	MAX	UNIT
PHASE NOISE PERFORMANCE						
XO mode phase noise	100 MHz (LVDS/LVPECL) ⁽⁶⁾	10 kHz		-142		dBc/Hz
		100 kHz		-143		dBc/Hz
		1 MHz		-157		dBc/Hz
		10 MHz (LVDS)		-159		dBc/Hz
		20 MHz (LVDS)		-160		dBc/Hz
		10 MHz (LVPECL)		-160		dBc/Hz
		20 MHz (LVPECL)		-161		dBc/Hz
	106.25 MHz (LVDS/LVPECL) ⁽⁷⁾	10 kHz		-141		dBc/Hz
		100 kHz		-140		dBc/Hz
		1 MHz		-156		dBc/Hz
		10 MHz (LVDS)		-159		dBc/Hz
		20 MHz (LVDS)		-160		dBc/Hz
		10 MHz (LVPECL)		-162		dBc/Hz
		20 MHz (LVPECL)		-163		dBc/Hz
	156.25 MHz (LVDS/LVPECL) ⁽⁶⁾	10 kHz		-139		dBc/Hz
		100 kHz		-140		dBc/Hz
		1 MHz		-153		dBc/Hz
		10 MHz (LVDS)		-159		dBc/Hz
		20 MHz (LVDS)		-159		dBc/Hz
		10 MHz (LVPECL)		-160		dBc/Hz
		20 MHz (LVPECL)		-160		dBc/Hz
	312.5 MHz (LVDS/LVPECL) ⁽⁶⁾	10 kHz		-132		dBc/Hz
		100 kHz		-133		dBc/Hz
		1 MHz		-148		dBc/Hz
		10 MHz (LVDS)		-154		dBc/Hz
		20 MHz (LVDS)		-155		dBc/Hz
		10 MHz (LVPECL)		-157		dBc/Hz
		20 MHz (LVPECL)		-158		dBc/Hz
622.08 MHz (LVDS/LVPECL) ⁽⁸⁾	10 kHz		-123		dBc/Hz	
	100 kHz		-121		dBc/Hz	
	1 MHz		-143		dBc/Hz	
	10 MHz (LVDS)		-154		dBc/Hz	
	20 MHz (LVDS)		-154		dBc/Hz	
	10 MHz (LVPECL)		-157		dBc/Hz	
	20 MHz (LVPECL)		-158		dBc/Hz	

Electrical Characteristics (continued)
 $3.15\text{ V} \leq V_{CC} \leq 3.45\text{ V}$, $-40\text{ }^\circ\text{C} \leq T_A \leq 85\text{ }^\circ\text{C}$, Junction Temperature $T_J \leq 125\text{ }^\circ\text{C}$.

 Typical values represent most likely parametric norms at $V_{CC} = 3.3\text{ V}$, $T_A = 25\text{ }^\circ\text{C}$, at [Recommended Operating Conditions](#) at the time of product characterization and are not ensured.⁽¹⁾

PARAMETER		TEST CONDITIONS	MIN	TYP	MAX	UNIT
Crystal mode phase noise	100 MHz (LVDS/LVPECL) ⁽⁹⁾	10 kHz		-129		dBc/Hz
		100 kHz		-137		dBc/Hz
		1 MHz		-156		dBc/Hz
		10 MHz (LVDS)		-158		dBc/Hz
		20 MHz (LVDS)		-159		dBc/Hz
		10 MHz (LVPECL)		-160		dBc/Hz
		20 MHz (LVPECL)		-161		dBc/Hz
	106.25 MHz (LVDS/LVPECL) ⁽¹⁰⁾	10 kHz		-124		dBc/Hz
		100 kHz		-137		dBc/Hz
		1 MHz		-156		dBc/Hz
		10 MHz (LVDS)		-158		dBc/Hz
		20 MHz (LVDS)		-159		dBc/Hz
		10 MHz (LVPECL)		-160		dBc/Hz
		20 MHz (LVPECL)		-161		dBc/Hz
	156.25 MHz (LVDS/LVPECL) ⁽⁹⁾	10 kHz		-125		dBc/Hz
		100 kHz		-132		dBc/Hz
		1 MHz		-153		dBc/Hz
		10 MHz (LVDS)		-158		dBc/Hz
		20 MHz (LVDS)		-159		dBc/Hz
		10 MHz (LVPECL)		-160		dBc/Hz
		20 MHz (LVPECL)		-160		dBc/Hz
	312.5 MHz (LVDS/LVPECL) ⁽⁹⁾	10 kHz		-119		dBc/Hz
		100 kHz		-126		dBc/Hz
		1 MHz		-147		dBc/Hz
		10 MHz (LVDS)		-153		dBc/Hz
		20 MHz (LVDS)		-154		dBc/Hz
		10 MHz (LVPECL)		-156		dBc/Hz
		20 MHz (LVPECL)		-157		dBc/Hz
622.08 MHz (LVDS/LVPECL) ⁽¹¹⁾	10 kHz		-110		dBc/Hz	
	100 kHz		-120		dBc/Hz	
	1 MHz		-140		dBc/Hz	
	10 MHz (LVDS)		-153		dBc/Hz	
	20 MHz (LVDS)		-153		dBc/Hz	
	10 MHz (LVPECL)		-154		dBc/Hz	
	20 MHz (LVPECL)		-154		dBc/Hz	

Electrical Characteristics (continued)

3.15 V ≤ V_{CC} ≤ 3.45 V, -40 °C ≤ T_A ≤ 85 °C, Junction Temperature T_J ≤ 125 °C.

Typical values represent most likely parametric norms at V_{CC} = 3.3 V, T_A = 25 °C, at [Recommended Operating Conditions](#) at the time of product characterization and are not ensured.⁽¹⁾

PARAMETER		TEST CONDITIONS	MIN	TYP	MAX	UNIT
PLL PHASE DETECTOR AND CHARGE PUMP SPECIFICATIONS						
f _{PD}	Phase detector frequency				155	MHz
I _{CPout} SOURCE	PLL charge pump source current	V _{CPout} =V _{CC} /2, PLL_CP_GAIN = 0		100		μA
		V _{CPout} =V _{CC} /2, PLL_CP_GAIN = 1		400		μA
		V _{CPout} =V _{CC} /2, PLL_CP_GAIN = 2		1600		μA
		V _{CPout} =V _{CC} /2, PLL_CP_GAIN = 3		3200		μA
I _{CPout} SINK	PLL charge pump sink current	V _{CPout} =V _{CC} /2, PLL_CP_GAIN = 0		-100		μA
		V _{CPout} =V _{CC} /2, PLL_CP_GAIN = 1		-400		μA
		V _{CPout} =V _{CC} /2, PLL_CP_GAIN = 2		-1600		μA
		V _{CPout} =V _{CC} /2, PLL_CP_GAIN = 3		-3200		μA
I _{CPout} %MIS	Charge pump sink/source mismatch	V _{CPout} =V _{CC} /2, T _A = 25 °C		3%	10%	
I _{CPout} V _{TUNE}	Magnitude of charge pump current vs. charge pump voltage variation	0.5 V < V _{CPout} < V _{CC} - 0.5 V T _A = 25 °C		4%		
I _{CPout} %TEMP	Charge pump current vs. temperature variation			4%		
I _{CPout} TRI	Charge pump leakage	0.5 V < V _{CPout} < V _{CC} - 0.5 V			10	nA
PN10kHz	PLL 1/f noise at 10 kHz offset ⁽¹²⁾ . Normalized to 1-GHz output frequency	PLL_CP_GAIN = 400 μA		-118		dBc/Hz
		PLL_CP_GAIN = 3200 μA		-121		dBc/Hz
PN1Hz	Normalized phase noise contribution ⁽¹³⁾	PLL_CP_GAIN = 400 μA		-222.5		dBc/Hz
		PLL_CP_GAIN = 3200 μA		-227		dBc/Hz
L(f)	PLL phase noise (Assumes a very wide bandwidth, noiseless crystal, 2500-MHz output frequency, and 25-MHz phase detector frequency)	1-kHz Offset		-93		dBc/Hz
		10 kHz		-103		dBc/Hz
		100-kHz Offset		-116		dBc/Hz
		1-MHz Offset		-116		dBc/Hz
INTERNAL VCO SPECIFICATIONS						
f _{VCO}	VCO tuning range		2370		2600	MHz
K _{VCO}	Fine tuning sensitivity (The range displayed in the typical column indicates the lower sensitivity is typical at the lower end of the tuning range, and the higher tuning sensitivity is typical at the higher end of the tuning range).	f _{VCO} at low end		16		MHz/V
		f _{VCO} at high end		21		

(12) A specification in modeling PLL in-band phase noise is the 1/f flicker noise, L_{PLL_flicker}(f), which is dominant close to the carrier. Flicker noise has a 10 dB/decade slope. PN10kHz is normalized to a 10 kHz offset and a 1 GHz carrier frequency. PN10kHz = L_{PLL_flicker}(10 kHz) - 20log(Fout / 1 GHz), where L_{PLL_flicker}(f) is the single side band phase noise of only the flicker noise's contribution to total noise, L(f). To measure L_{PLL_flicker}(f) it is important to be on the 10 dB/decade slope close to the carrier. A high compare frequency and a clean crystal are important to isolating this noise source from the total phase noise, L(f). L_{PLL_flicker}(f) can be masked by the reference oscillator performance if a low power or noisy source is used. The total PLL in-band phase noise performance is the sum of L_{PLL_flicker}(f) and L_{PLL_flat}(f).

(13) A specification modeling PLL in-band phase noise. The normalized phase noise contribution of the PLL, L_{PLL_flat}(f), is defined as: PN1Hz = L_{PLL_flat}(f) - 20log(N) - 10log(f_{PD}). L_{PLL_flat}(f) is the single side band phase noise measured at an offset frequency, f, in a 1 Hz bandwidth and f_{PD} is the phase detector frequency of the synthesizer. L_{PLL_flat}(f) contributes to the total noise, L(f).

Electrical Characteristics (continued)
 $3.15\text{ V} \leq V_{CC} \leq 3.45\text{ V}$, $-40\text{ }^\circ\text{C} \leq T_A \leq 85\text{ }^\circ\text{C}$, Junction Temperature $T_J \leq 125\text{ }^\circ\text{C}$.

 Typical values represent most likely parametric norms at $V_{CC} = 3.3\text{ V}$, $T_A = 25\text{ }^\circ\text{C}$, at *Recommended Operating Conditions* at the time of product characterization and are not ensured.⁽¹⁾

PARAMETER		TEST CONDITIONS	MIN	TYP	MAX	UNIT
$ \Delta T_{CL} $	Allowable temperature drift for continuous lock ⁽¹⁴⁾ (5)	After programming R30 for lock, no changes to output configuration are permitted to guarantee continuous lock			125	$^\circ\text{C}$
L(f)	Phase noise (Assumes a very narrow loop bandwidth)	10-kHz Offset		-87		dBc/Hz
		100-kHz Offset		-112		dBc/Hz
		1-MHz Offset		-133		dBc/Hz
CLOCK SKEW						
$ T_{SKEW} $	Maximum CLKoutX to CLKoutY ⁽¹⁵⁾ (5)	LVDS-to-LVDS, $T = 25\text{ }^\circ\text{C}$, $f_{CLK} = 800\text{ MHz}$, $R_L = 100\text{ }\Omega$ AC coupled		30		ps
		LVPECL-to-LVPECL, $T = 25\text{ }^\circ\text{C}$, $f_{CLK} = 800\text{ MHz}$, $R_L = 100\text{ }\Omega$ emitter resistors = $240\text{ }\Omega$ to GND AC coupled		30		ps
	Maximum skew between any two LVCMOS outputs, same CLKout or different CLKout ⁽¹⁵⁾ (5)	$R_L = 50\text{ }\Omega$, $C_L = 5\text{ pF}$, $T = 25\text{ }^\circ\text{C}$, $F_{CLK} = 100\text{ MHz}$. ⁽¹⁵⁾		100		ps
Mixed _{SKEW}	LVDS or LVPECL to LVCMOS	Same device, $T = 25\text{ }^\circ\text{C}$, 250 MHz		750		ps
LVDS CLOCK OUTPUTS (CLKoutX), CLKoutX_TYPE = 1						
f_{CLKout}	Operating frequency ⁽⁵⁾ (16)	$R_L = 100\text{ }\Omega$			1300	MHz
V_{OD}	Differential output voltage Figure 6	T = 25 $^\circ\text{C}$, DC measurement AC-coupled to receiver input R = 100- Ω differential termination	250	400	450	mV
V_{SS}			500	800	900	mVpp
ΔV_{OD}	Change in magnitude of V_{OD} for complementary output states		-50		50	mV
V_{OS}	Output offset voltage		1.125	1.25	1.375	V
ΔV_{OS}	Change in V_{OS} for complementary output states				35	mV
T_R / T_F	Output rise time	20% to 80%, $R_L = 100\text{ }\Omega$		200		ps
	Output fall time	80% to 20%, $R_L = 100\text{ }\Omega$		200		ps
I_{SA} I_{SB}	Output short circuit current - single-ended	Single-ended output shorted to GND, $T = 25\text{ }^\circ\text{C}$	-24		24	mA
I_{SAB}	Output short circuit current - differential	Complimentary outputs tied together, $T = 25\text{ }^\circ\text{C}$	-12		12	mA
LVPECL CLOCK OUTPUTS (CLKoutX)						
f_{CLKout}	Operating frequency ⁽⁵⁾ (16)				1300	MHz
T_R / T_F	20% to 80% output rise	$R_L = 100\text{ }\Omega$, emitter resistors = $240\text{ }\Omega$ to GND CLKoutX_TYPE = 4 or 5 (1600 or 2000 mVpp)		150		ps
	80% to 20% output fall time					

(14) Maximum Allowable Temperature Drift for Continuous Lock is how far the temperature can drift in either direction from the value it was at the time that the R30 register was last programmed, and still have the part stay in lock. The action of programming the R30 register, even to the same value, activates a frequency calibration routine. This implies the part will work over the entire frequency range, but if the temperature drifts more than the maximum allowable drift for continuous lock, then it will be necessary to reload the R30 register to ensure it stays in lock. Regardless of what temperature the part was initially programmed at, the temperature can never drift outside the frequency range of $-40\text{ }^\circ\text{C}$ to $85\text{ }^\circ\text{C}$ without violating specifications.

(15) Equal loading and identical clock output configuration on each clock output is required for specification to be valid.

(16) Refer to typical performance charts for output operation performance at higher frequencies than the minimum maximum output frequency.

Electrical Characteristics (continued)

 $3.15\text{ V} \leq V_{CC} \leq 3.45\text{ V}$, $-40\text{ }^{\circ}\text{C} \leq T_A \leq 85\text{ }^{\circ}\text{C}$, Junction Temperature $T_J \leq 125\text{ }^{\circ}\text{C}$.

Typical values represent most likely parametric norms at $V_{CC} = 3.3\text{ V}$, $T_A = 25\text{ }^{\circ}\text{C}$, at [Recommended Operating Conditions](#) at the time of product characterization and are not ensured.⁽¹⁾

PARAMETER		TEST CONDITIONS	MIN	TYP	MAX	UNIT
700-mVpp LVPECL CLOCK OUTPUTS (CLKoutX), CLKoutX_TYPE = 2						
V_{OH}	Output high voltage	T = 25 °C, DC measurement Termination = 50 Ω to $V_{CC} - 1.4\text{ V}$	$V_{CC} - 1.03$			V
V_{OL}	Output low voltage		$V_{CC} - 1.41$			V
V_{OD}	Output voltage Figure 6		305	380	440	mV
V_{SS}			610	760	880	mVpp
1200-mVpp LVPECL CLOCK OUTPUTS (CLKoutX), CLKoutX_TYPE = 3						
V_{OH}	Output high voltage	T = 25 °C, DC measurement Termination = 50 Ω to $V_{CC} - 1.7\text{ V}$	$V_{CC} - 1.07$			V
V_{OL}	Output low voltage		$V_{CC} - 1.69$			V
V_{OD}	Output voltage Figure 6		545	625	705	mV
V_{SS}			1090	1250	1410	mVpp
1600-mVpp LVPECL CLOCK OUTPUTS (CLKoutX), CLKoutX_TYPE = 4						
V_{OH}	Output high voltage	T = 25 °C, DC Measurement Termination = 50 Ω to $V_{CC} - 2\text{ V}$	$V_{CC} - 1.10$			V
V_{OL}	Output low voltage		$V_{CC} - 1.97$			V
V_{OD}	Output voltage Figure 6		660	870	965	mV
V_{SS}			1320	1740	1930	mVpp
2000-mVpp LVPECL (2VPECL) CLOCK OUTPUTS (CLKoutX), CLKoutX_TYPE = 5						
V_{OH}	Output high voltage	T = 25 °C, DC Measurement Termination = 50 Ω to $V_{CC} - 2.3\text{ V}$	$V_{CC} - 1.13$			V
V_{OL}	Output low voltage		$V_{CC} - 2.20$			V
V_{OD}	Output voltage Figure 6		800	1070	1200	mV
V_{SS}			1600	2140	2400	mVpp
LVCMOS CLOCK OUTPUTS (CLKoutX)						
f_{CLKout}	Operating frequency ⁽⁵⁾	5-pF Load			250	MHz
V_{OH}	Output high voltage	1-mA Load	$V_{CC} - 0.1$			V
V_{OL}	Output low voltage	1-mA Load			0.1	V
I_{OH}	Output high current (Source)	$V_{CC} = 3.3\text{ V}$, $V_O = 1.65\text{ V}$	28			mA
I_{OL}	Output low current (Sink)	$V_{CC} = 3.3\text{ V}$, $V_O = 1.65\text{ V}$	28			mA
DUTY _{CLK}	Output duty cycle ⁽⁵⁾	$V_{CC}/2$ to $V_{CC}/2$, $F_{CLK} = 100\text{ MHz}$, $T = 25\text{ }^{\circ}\text{C}$	45	50	55	%
T_R	Output rise time	20% to 80%, $R_L = 50\text{ }\Omega$, $CL = 5\text{ pF}$	400			ps
T_F	Output fall time	80% to 20%, $R_L = 50\text{ }\Omega$, $CL = 5\text{ pF}$	400			ps
DIGITAL OUTPUTS (Ftest/LD, Readback, GPoutX)						
V_{OH}	High-level output voltage	$I_{OH} = -500\text{ }\mu\text{A}$	$V_{CC} - 0.4$			V
V_{OL}	Low-level output voltage	$I_{OL} = 500\text{ }\mu\text{A}$			0.4	V

Electrical Characteristics (continued)

$3.15\text{ V} \leq V_{CC} \leq 3.45\text{ V}$, $-40\text{ }^{\circ}\text{C} \leq T_A \leq 85\text{ }^{\circ}\text{C}$, Junction Temperature $T_J \leq 125\text{ }^{\circ}\text{C}$.

Typical values represent most likely parametric norms at $V_{CC} = 3.3\text{ V}$, $T_A = 25\text{ }^{\circ}\text{C}$, at *Recommended Operating Conditions* at the time of product characterization and are not ensured.⁽¹⁾

PARAMETER	TEST CONDITIONS	MIN	TYP	MAX	UNIT
DIGITAL INPUTS (SYNC)					
V_{IH}	High-level input voltage	1.6		V_{CC}	V
V_{IL}	Low-level input voltage			0.4	V
DIGITAL INPUTS (CLKuWire, DATAuWire, LEuWire)					
V_{IH}	High-level input voltage	1.6		V_{CC}	V
V_{IL}	Low-level input voltage			0.4	V
I_{IH}	High-level input current	$V_{IH} = V_{CC}$		25	μA
I_{IL}	Low-level input current	$V_{IL} = 0$		5	μA

6.6 Timing Requirements

See *Programming* for additional information

		MIN	NOM	MAX	UNIT
T_{ECS}	LE to clock set-up time	See Figure 1	25		ns
T_{DCS}	Data to clock set-up time	See Figure 1	25		ns
T_{CDH}	Clock to data hold time	See Figure 1	8		ns
T_{CWH}	Clock pulse width high	See Figure 1	25		ns
T_{CWL}	Clock pulse width low	See Figure 1	25		ns
T_{CES}	Clock to LE set-up time	See Figure 1	25		ns
T_{EWH}	LE pulse width	See Figure 1	25		ns
T_{CR}	Falling clock to readback time	See READBACK	25		ns

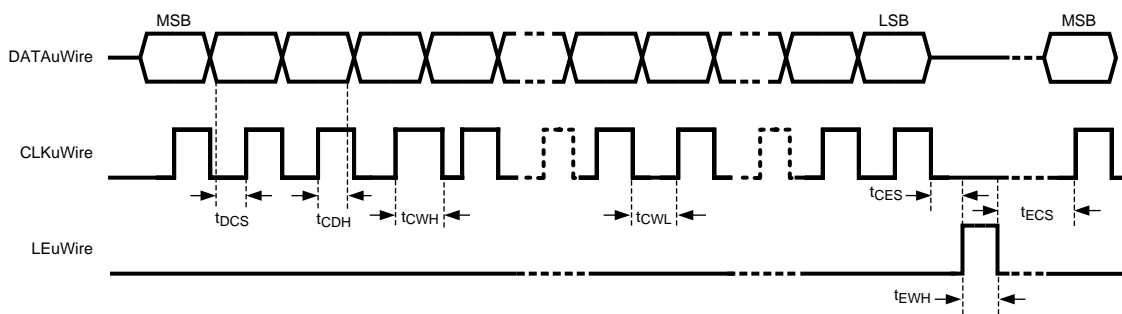


Figure 1. MICROWIRE Timing Diagram

6.7 Typical Characteristics

Clock Output AC Characteristics

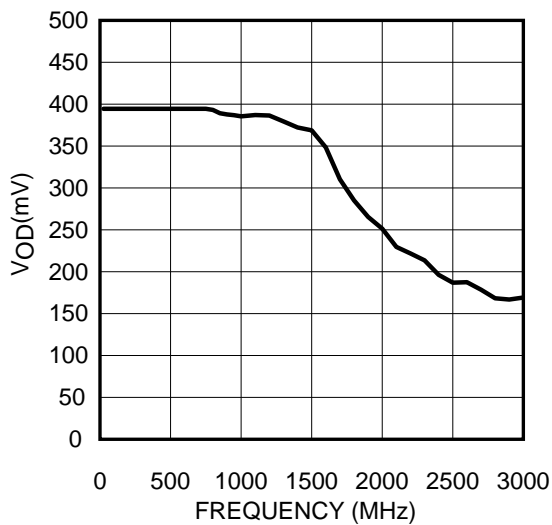


Figure 2. LVDS V_{OD} vs Frequency

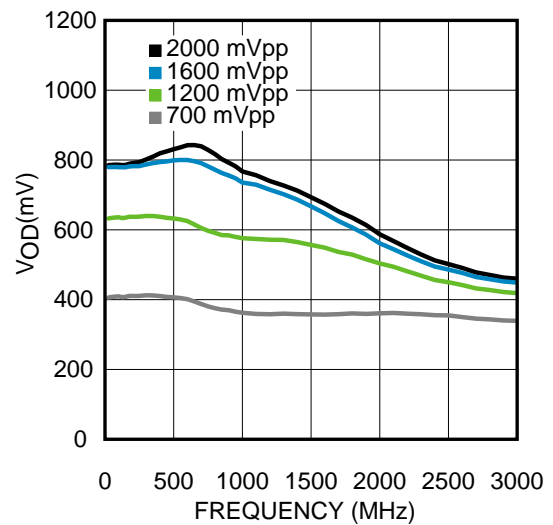


Figure 3. LVPECL With 240- Ω Emitter Resistors V_{OD} vs Frequency

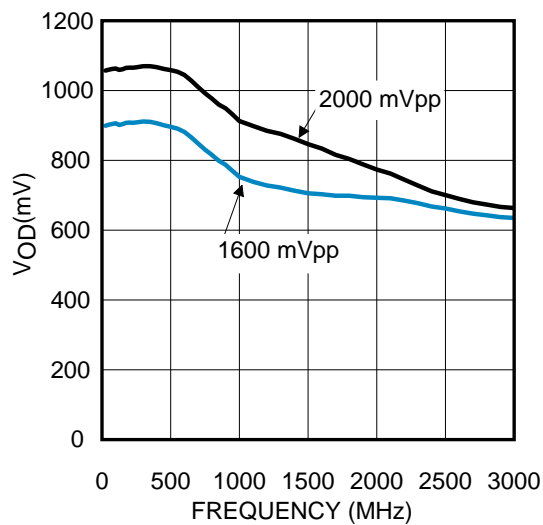


Figure 4. LVPECL With 120- Ω Emitter Resistors V_{OD} vs Frequency

7 Parameter Measurement Information

7.1 Differential Voltage Measurement Terminology

The differential voltage of a differential signal can be described by two different definitions causing confusion when reading data sheets or communicating with other engineers. This section will address the measurement and description of a differential signal so that the reader will be able to understand and discern between the two different definitions when used.

The first definition used to describe a differential signal is the absolute value of the voltage potential between the inverting and noninverting signal. The symbol for this first measurement is typically V_{ID} or V_{OD} depending on if an input or output voltage is being described.

The second definition used to describe a differential signal is to measure the potential of the noninverting signal with respect to the inverting signal. The symbol for this second measurement is V_{SS} and is a calculated parameter. Nowhere in the IC does this signal exist with respect to ground, it only exists in reference to its differential pair. V_{SS} can be measured directly by oscilloscopes with floating references, otherwise this value can be calculated as twice the value of V_{OD} as described in the first description.

Figure 5 shows the two different definitions side-by-side for inputs and Figure 6 shows the two different definitions side-by-side for outputs. The V_{ID} and V_{OD} definitions show V_A and V_B DC levels that the noninverting and inverting signals toggle between with respect to ground. V_{SS} input and output definitions show that if the inverting signal is considered the voltage potential reference, the noninverting signal voltage potential is now increasing and decreasing above and below the noninverting reference. Thus the peak-to-peak voltage of the differential signal can be measured.

V_{ID} and V_{OD} are often defined as volts (V) and V_{SS} is often defined as volts peak-to-peak (V_{PP}).

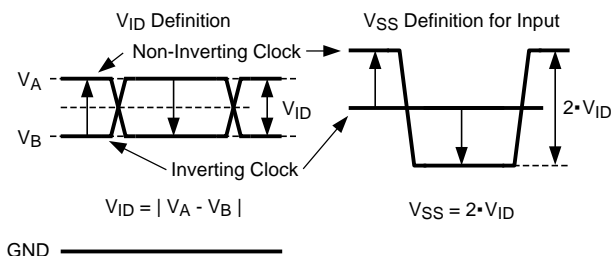


Figure 5. Two Different Definitions for Differential Input Signals

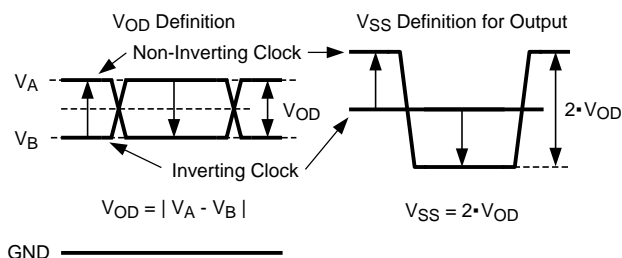


Figure 6. Two Different Definitions for Differential Output Signals

Refer to application note AN-912, *Common Data Transmission Parameters and their Definitions* (SNLA036) for more information.

8 Detailed Description

8.1 Overview

The LMK03806 is an ultra-low-noise clock generator that integrates a high-performance integer-N PLL, low-noise VCO, and flexible output clock division/fan-out with 14 programmable drivers. It operates with a standard off-the-shelf crystal or low noise external clock as the reference oscillator input (OSCin).

The integrated VCO tuning range is from 2370 to 2600 MHz. The VCO clock drives 6 output dividers that support a divide range of 1 to 1045 (even and odd) with 50% output duty cycle. Each output divider feeds 2 output drivers for a total of 12 CLKoutX outputs. Each CLKoutX driver is programmable to LVDS, LVPECL, or 2x LVCMOS 3.3-V output levels and synchronized by means of the SYNC input pin.

The device provides 2 additional outputs (OSCout0 and OSCout1) that are buffered or divided-down copies of the OSCin input. The divide value for the OSCoutX outputs can be set independently by programming the OSC divider. The OSC divider value range is 1 to 8. The OSCout0 driver is programmable to LVDS, LVPECL or 2x LVCMOS 3.3-V output levels. The OSCout1 driver supports LVPECL output levels only.

The LMK03806 has programmable 3rd and 4th order loop filter resistors and capacitors for the internal PLL. The integrated programmable resistors and capacitors compliment external loop filter components mounted near the chip. These integrated components can be disabled through register programming. The device registers are programmable through serial Microwire interface.

8.2 Functional Block Diagrams

Figure 7 shows the complete LMK03806 block diagram.

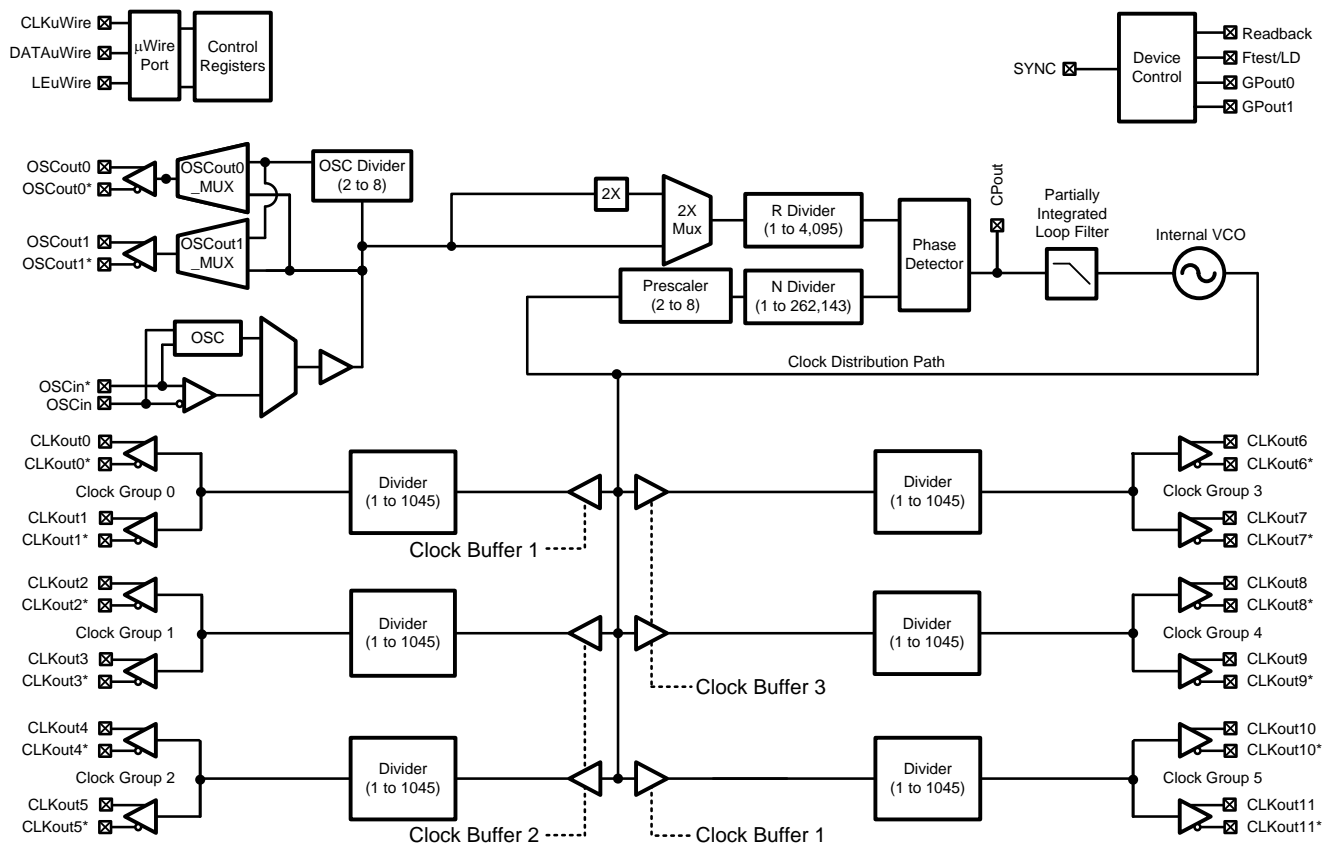


Figure 7. Detailed LMK03806 Block Diagram

Functional Block Diagrams (continued)

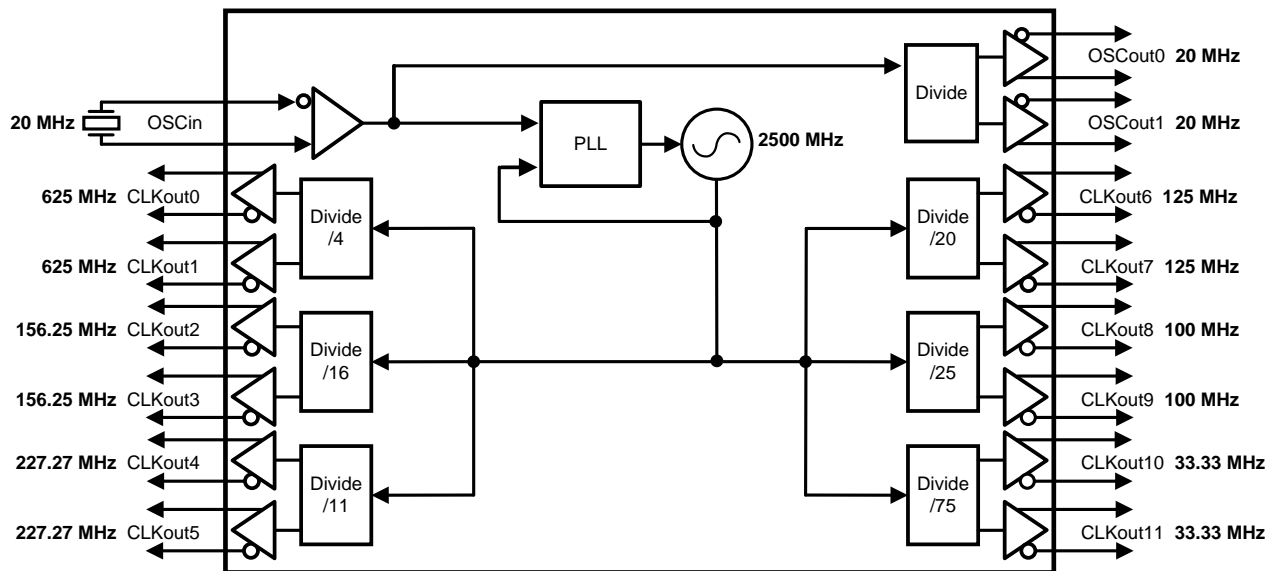


Figure 8. 10 Gigabit Ethernet Reference Clocks

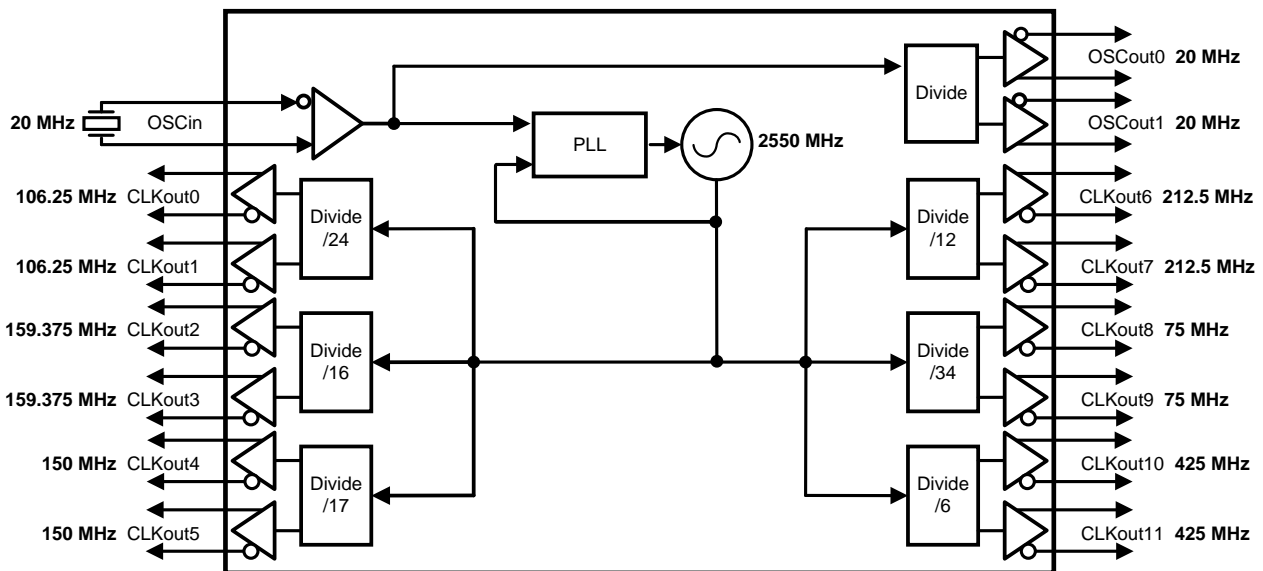


Figure 9. Fiber Channel Reference Clocks

Functional Block Diagrams (continued)

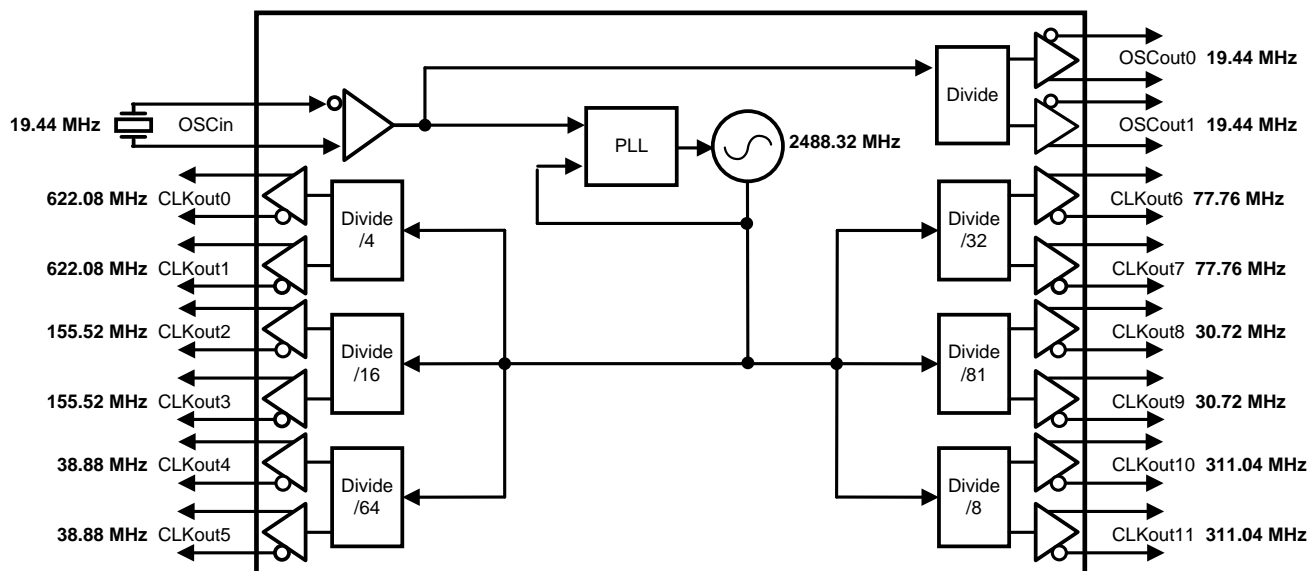


Figure 10. SONET/SDH Reference Clocks

8.3 Features Description

8.3.1 Serial MICROWIRE Timing Diagram and Terminology

Register programming information on the DATAuWire pin is clocked into a shift register on each rising edge of the CLKuWire signal. On the rising edge of the LEuWire signal, the register is sent from the shift register to the register addressed. A few programming considerations are listed below:

- A slew rate of at least 30 V/us is recommended for the programming signals
- After the programming is complete, the CLKuWire, DATAuWire, and LEuWire signals should be returned to a low state
- If the CLKuWire or DATAuWire lines are toggled while the VCO is in lock, as is sometimes the case when these lines are shared with other parts, the phase noise may be degraded during this programming.

8.3.2 Crystal Support With Buffered Outputs

The LMK03806 provides 2 dedicated outputs which are a buffered copy of the PLL reference input. This reference input is typically a low noise external clock or Crystal.

The OSCout0 buffer output type is programmable to LVDS, LVPECL, or LVCMOS. The OSCout1 buffer is fixed to LVPECL.

The dedicated output buffers OSCout0 and OSCout1 can output frequency lower than the Input frequency by programming the OSC Divider. The OSC Divider value range is 1 to 8. Each OSCoutX can individually choose to use the OSC Divider output or to bypass the OSC Divider.

Crystal buffered outputs cannot be synchronized to the VCO clock distribution outputs. The assertion of SYNC will still cause these outputs to become low. Since these outputs will turn off and on asynchronously with respect to the VCO sourced clock outputs during a SYNC, it is possible for glitches to occur on the buffered clock outputs when SYNC is asserted and unasserted. If the NO_SYNC_CLKoutX_Y bits are set these outputs will not be affected by the SYNC event except that the phase relationship will change with the other synchronized clocks unless a buffered clock output is used as a qualification clock during SYNC.

Features Description (continued)

8.3.3 Integrated Loop Filter Poles

The LMK03806 features programmable 3rd and 4th order loop filter poles for PLL. These internal resistors and capacitor values may be selected from a fixed range of values to achieve either a 3rd or 4th order loop filter response. The integrated programmable resistors and capacitors compliment external components mounted near the chip.

These integrated components can be effectively disabled by programming the integrated resistors and capacitors to their minimum values.

8.3.4 Integrated VCO

The output of the internal VCO is routed to the Clock Distribution Path and also fed back to the PLL phase detector through a prescaler and N-divider.

8.3.5 Clock Distribution

The LMK03806 features a total of 12 outputs driven from the internal or external VCO.

All VCO driven outputs have programmable output types. They can be programmed to LVPECL, LVDS, or LVCMOS. When all distribution outputs are configured for LVCMOS or single-ended LVPECL a total of 24 outputs are available.

8.3.5.1 CLKout Divider

Each clock group, which is a pair of outputs such as CLKout0 and CLKout1, has a single clock output divider. The divider supports a divide range of 1 to 1045 (even and odd) with 50% output duty cycle. When divides of 26 or greater are used, the divider block uses extended mode.

8.3.5.2 Programmable Output Type

For increased flexibility all LMK03806 clock outputs (CLKoutX) and OSCout0 can be programmed to an LVDS, LVPECL, or LVCMOS output type. OSCout1 is fixed as LVPECL.

Any LVPECL output type can be programmed to 700-, 1200-, 1600-, or 2000-mVpp amplitude levels. The 2000-mVpp LVPECL output type is a Texas Instruments proprietary configuration that produces a 2000-mVpp differential swing for compatibility with many data converters and is also known as 2VPECL.

8.3.5.3 Clock Output Synchronization

Using the SYNC input causes all active clock outputs to share a rising edge.

By toggling the SYNC_POL_INV bit, it is possible to generate a SYNC through uWire eliminating the need for connecting the external SYNC pin to external circuitry.

8.3.6 Default Start-Up Clocks

Before the LMK03806 is programmed some clocks will operate at default frequencies upon power up. The active output clocks depend upon the reference input type. If a crystal reference is used with OSCin, only CLKout8 will operate at a nominal VCO frequency /25. When an XO or other external reference is used as a reference with OSCin, OSCout0 will buffer the OSCin frequency in addition to CLKout8 operating at a nominal VCO frequency /25. These clocks can be used to clock external devices such as microcontrollers, FPGAs, CPLDs, and so forth, before the LMK03806 is programmed. Refer to [Figure 11](#) or [Figure 12](#) for illustration of start-up clocks.

The nominal VCO frequency of CLKout8 on power up will typically be 98 MHz.

Note during programming CLKout8 may momentarily stop or glitch during the VCO calibration routine.

Features Description (continued)

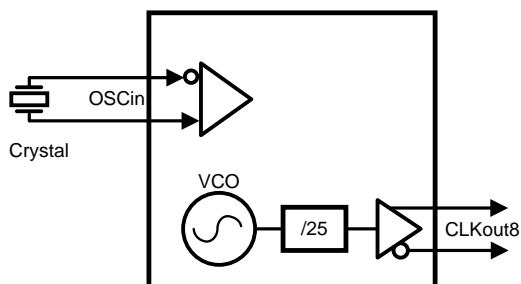


Figure 11. Start-Up Clock Using Crystal Reference

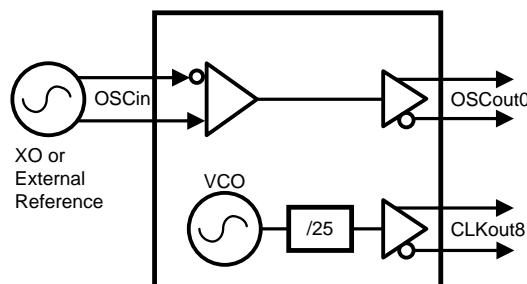


Figure 12. Start-Up Clock Using XO or Other External Reference

8.4 Device Functional Modes

By using the tunable range of the VCO followed by a programmable divider, the LMK03806 can achieve any of the frequencies in Table 1.

Table 1. Achievable Frequencies

OUTPUT DIVIDER VALUE	ACHIEVED FREQUENCY (MHZ)
1	2370 - 2600
2	1185 - 1300
3	790 - 866.7
4	592.5 - 650
5	474 - 520
6	395.7 - 433
7	338.6 - 371.4
8	296.25 - 325
9	263.3 - 288.9
10	237 - 260
11 to 1045	Any frequency in the range of 2.27 - 236.36

Table 2. Common Frequency Plans

STANDARD/APPLICATION	OUTPUT FREQUENCIES (MHZ)	VCO FREQUENCY	RECOMMENDED CRYSTAL VALUE
Infiniband	100, 200	2400 MHz	20 MHz
SATA	75, 150, 300, 600		
SAS	37.5, 75, 120, 150		
Fast Ethernet	25	2500 MHz	
1 GbE	125		
10 GbE	156.25, 312.5, 625		
XAUI	78.125, 156.25, 312.5		
Backplane	227.27...	2550 MHz	
2G/4G/16G Fiber Channel	106.25, 212.5		
10G Fiber Channel	159.375		
40/100 GbE	644.53125, 322.265625, 161.1328125	2578.125 MHz	12.5 MHz
SONET	19.44, 38.88, 77.76, 155.52, 311.04, 622.08	2488.32 MHz	19.44 MHz
A/D Clocking	30.72, 61.44, 122.88, 153.6, 245.76, 491.52, 983.04	2457.6 MHz	19.2 MHz or 12.288 MHz

8.5 Programming

8.5.1 General Information

LMK03806 devices are programmed using 32-bit registers. Each register consists of a 5-bit address field and 27-bit data field. The address field is formed by bits 0 through 4 (LSBs) and the data field is formed by bits 5 through 31 (MSBs). The contents of each register is clocked in MSB first (bit 31), and the LSB (bit 0) last. During programming, the LEuWire signal should be held *low*. The serial data is clocked in on the rising edge of the CLKuWire signal. After the LSB (bit 0) is clocked in the LEuWire signal should be toggled *low-to-high-to-low* to latch the contents into the register selected in the address field. TI recommends to program registers in numeric order, for example R0 to R14, R16, R24, R26, and R28 to R31 to achieve proper device operation. Refer to the [Timing Requirements](#) for the timing for the programming.

To achieve proper frequency calibration, the OSCin port must be driven with a valid signal before programming register R30. Changes to PLL R divider or the OSCin port frequency require register R30 to be reloaded in order to activate the frequency calibration process.

8.5.1.1 Special Programming Case for R0 to R5 for CLKoutX_Y_DIV > 25

When programming register R0 to R5 to change the CLKoutX_Y_DIV divide value, the register must be programmed twice if the CLKoutX_Y_DIV value is greater than 25.

8.5.1.2 Recommended Initial Programming Sequence

The registers are to be programmed in numeric order with R0 being the first and R31 being the last register programmed as shown below:

1. Program R0 with RESET bit = 1. This ensures that the device is configured with default settings. When RESET = 1, all other R0 bits are ignored.
 - If R0 is programmed again during the initial configuration of the device, the RESET bit must be cleared.
2. R0 through R5: CLKouts.
 - It is required to program R3 after power up.
 - Program as necessary to configure the clock outputs, CLKout0 to CLKout11 as desired. These registers configure clock output controls such as powerdown, divider value, and clock source select.
3. R6 through R8: CLKouts.
 - Program as necessary to configure the clock outputs, CLKout0 to CLKout11 as desired. These registers configure the output format for each clock output.
4. R9: Undisclosed bits.
 - Program this register as shown in the register map for proper operation.
5. R10: OSCouts.
6. R11: SYNC, and XTAL.
7. R12: LD pin and SYNC.
8. R13: Readback pin & GPout0.
9. R14: GPout1.
10. R16: Undisclosed bits.
 - Program this register as shown in the register map for proper operation.
11. R24: Partially integrated PLL filter values.
12. R26, R28, R29, and R30: PLL.
13. R31: uWire readback and uWire lock.

Programming (continued)

8.5.1.3 READBACK

At no time should the MICROWIRE registers be programmed to any value other than what is specified in the datasheet.

For debug of the MICROWIRE interface or programming, TI recommends to simply program an LD_MUX to active low and then toggle the output type register between output and inverting output while observing the output pin for a low to high transition. For example, to verify MICROWIRE programming, set the LD_MUX = 0 (Low) and then toggle the LD_TYPE register between 3 (Output, push-pull) and 4 (Output inverted, pushpull). The result will be that the Ftest/LD pin will toggle from low to high.

Readback from the MICROWIRE programming registers is available. The MICROWIRE readback function can be accessed on the Readback pin. The READBACK_TYPE register can be programmed to *Output (push-pull)* for active output, or for communication with FPGAs/microcontrollers with lower voltage rails than 3.3 V the READBACK_TYPE register can be programmed to *Output (Open-Drain)* while connecting an external pull-up resistor to the voltage rail needed.

To perform a readback operation:

1. Write the register address to be read back by programming the READBACK_ADDR register in R31.
2. With the LEuWire pin held low continue to clock the CLKuWire pin. On every falling edge of the CLKuWire pin a new data bit is clocked onto the Readback pin.
3. Data is clocked out MSB first. After 32 clocks all the data values will have been read and the read operation is complete. The 5 LSB bits which are the address will be undefined during readback.

8.5.1.3.1 Readback Example

To readback register R3 perform the following steps:

1. Write R31 with READBACK_ADDR = 3. DATAuWire and CLKuWire are toggled as shown in [Figure 1](#) with new data being clocked in on rising edges of CLKuWire
2. Toggle LEuWire high and low as shown in [Figure 1](#).
3. Toggle CLKuWire high and then low 32 times to read back all 32 bits of register R3. Data is read MSB first. Data is valid on falling edge of CLKuWire.

8.6 Register Maps

[Table 3](#) Provides the register map for device programming. At no time should registers be programmed to undefined values. Only valid register values should be written.

Table 3. Register Map

REGISTER	31	30	29	28	27	26	25	24	23	22	21	20	19	18	17	16	15	14	13	12	11	10	9	8	7	6	5	4	3	2	1	0			
	DATA [26:0]																ADDRESS [4:0]																		
R0	CLKout0_1_PD	0	0	0	0	0	0	0	0	0	0	0	0	0	RESET	0	CLKout0_1_DIV [15:5]						0	0	0	0	0								
R1	CLKout2_3_PD	0	0	0	0	0	0	0	0	0	0	0	0	0	POWERDOWN	0	CLKout2_3_DIV [15:5]						0	0	0	0	1								
R2	CLKout4_5_PD	0	0	0	0	0	0	0	0	0	0	0	0	0	0	0	CLKout4_5_DIV [15:5]						0	0	0	1	0								
R3	CLKout6_7_PD	0	0	0	0	0	0	0	0	0	0	0	0	0	0	0	CLKout6_7_DIV [15:5]						0	0	0	1	1								
R4	CLKout8_9_PD	0	0	0	0	0	0	0	0	0	0	0	0	0	0	0	CLKout8_9_DIV [15:5]						0	0	1	0	0								
R5	CLKout10_11_PD	0	0	0	0	0	0	0	0	0	0	0	0	0	0	0	CLKout10_11_DIV [15:5]						0	0	1	0	1								
R6	CLKout3_TYPE [31:28]				CLKout2_TYPE [27:24]				CLKout1_TYPE [23:20]				CLKout0_TYPE [19:16]				0	0	0	0	0	0	0	0	0	0	0	0	0	0	1	1	0		
R7	CLKout7_TYPE [31:28]				CLKout6_TYPE [27:24]				CLKout5_TYPE [23:20]				CLKout4_TYPE [19:16]				0	0	0	0	0	0	0	0	0	0	0	0	0	0	0	1	1	1	
R8	CLKout11_TYPE [31:28]				CLKout10_TYPE [27:24]				CLKout9_TYPE [23:20]				CLKout8_TYPE [19:16]				0	0	0	0	0	0	0	0	0	0	0	0	0	0	1	0	0	0	
R9	0	1	0	1	0	1	0	1	0	1	0	1	0	1	0	1	0	1	0	1	0	1	0	1	0	1	0	0	1	0	0	0	1		
R10	OSCoout1_TYPE [31:30]		0	1	OSCoout0_TYPE [27:24]				EN_OSCoout1	EN_OSCoout0	OSCoout1_MUX	OSCoout0_MUX	0	OSCoout_DIV [18:16]				0	1	0	0	0	0	0	0	0	0	0	0	0	0	1	0	1	0

Table 3. Register Map (continued)

REGISTER	31	30	29	28	27	26	25	24	23	22	21	20	19	18	17	16	15	14	13	12	11	10	9	8	7	6	5	4	3	2	1	0								
	DATA [26:0]																										ADDRESS [4:0]													
R11	0	0	1	1	0	1	NO_SYNC_CLKout0_11	NO_SYNC_CLKout8_9	NO_SYNC_CLKout6_7	NO_SYNC_CLKout4_5	NO_SYNC_CLKout2_3	NO_SYNC_CLKout0_1	0	0	0	SYNC_POL_INV	0	0	SYNC_TYPE [13:12]	0	0	0	0	0	0	0	0	EN_PLL_XTAL	0	1	0	1	1							
R12	LD_MUX [31:27]					Ftest/LD_TYPE [26:24]		SYNC_PLL_DLD	0	0	0	1	1	0	0	0	0	0	0	0	0	0	0	0	0	0	1	1	0	1	1	0	0							
R13	0	0	1	1	1	READBACK_TYPE [26:24]	0	0	0	0	0	GPout0 [18:16]			1	0	0	0	0	0	0	0	0	0	0	0	0	0	0	1	1	0	1							
R14	0	0	0	0	0	GPout1 [26:24]	0	0	0	0	0	0	0	0	0	0	0	0	0	0	0	0	0	0	0	0	0	0	0	0	1	1	1	0						
R16	1	1	0	0	0	0	0	1	0	1	0	1	0	1	0	1	0	0	0	0	0	0	0	1	0	0	0	0	0	0	0	0								
R24	PLL_C4_LF [31:28]			PLL_C3_LF [27:24]				0	PLL_R4_LF [22:20]			0	PLL_R3_LF [18:16]			0	0	0	0	0	0	0	0	0	0	0	0	0	1	1	0	0	0							
R26	1	0	EN_PLL_REF_2X	0	PLL_CP_GAIN [27:26]	1	1	1	0	1	0	PLL_DLD_CNT [19:6]															0	1	1	0	1	0								
R28	PLL_R												0	0	0	0	0	0	0	0	0	0	0	0	0	0	0	0	0	0	0	0	0	0	0	1	1	1	0	0
R29	0	0	0	0	0	OSCin_FREQ [26:24]	1	PLL_N_CAL [22:5]																			1	1	1	0	1									
R30	0	0	0	0	0	PLL_P	0	PLL_N [22:5]																			1	1	1	1	0									
R31	0	0	0	0	0	0	0	0	0	0	0	READBACK_ADDR [20:16]			0	0	0	0	0	0	0	0	0	0	0	0	0	0	0	0	0	0	0	uWire_LOCK	1	1	1	1	1	

8.6.1 Default Device Register Settings After Power On Reset

Table 4 shows the default register settings programmed in silicon for the LMK03806 after power on or asserting the reset bit. Capital X and Y represent numeric values.

Table 4. Default Device Register Settings After Power On/Reset

GROUP	FIELD NAME	DEFAULT VALUE (DECIMAL)	DEFAULT STATE	FIELD DESCRIPTION	REGISTER	BIT LOCATION (MSB:LSB)
Clock Output Control	CLKout0_1_PD	1	PD	Powerdown control for divider, and both output buffers	R0	31
	CLKout2_3_PD	1	PD		R1	
	CLKout4_5_PD	1	PD		R2	
	CLKout6_7_PD	0	Normal		R3	
	CLKout8_9_PD	0	Normal		R4	
	CLKout10_11_PD	1	PD		R5	
	RESET	0	Not in reset	Performs power on reset for device	R0	17
	POWERDOWN	0	Disabled (device is active)	Device power down control	R1	17
	CLKout0_1_DIV	25	Divide-by-25	Divide for clock outputs	R0	15:5 [11]
	CLKout2_3_DIV	25	Divide-by-25		R1	
	CLKout4_5_DIV	25	Divide-by-25		R2	
	CLKout6_7_DIV ⁽¹⁾	1	Divide-by-1		R3	
	CLKout8_9_DIV	25	Divide-by-25		R4	
	CLKout10_11_DIV	25	Divide-by-25		R5	
	CLKout3_TYPE	0	Powerdown	Individual clock output format. Select from LVDS/LVPECL/LVCMOS.	R6	31:28 [4]
	CLKout7_TYPE	0	Powerdown		R7	
	CLKout11_TYPE	0	Powerdown		R8	
	CLKout2_TYPE	0	Powerdown		R6	27:24 [4]
	CLKout6_TYPE ⁽¹⁾	8	LVCMOS (Norm/Norm)		R7	
	CLKout10_TYPE	0	Powerdown		R8	23:20 [4]
	CLKout1_TYPE	0	Powerdown		R6	
	CLKout5_TYPE	0	Powerdown		R7	
	CLKout9_TYPE	0	Powerdown		R8	
CLKout0_TYPE	0	Powerdown	R6		19:16 [4]	
CLKout4_TYPE	0	Powerdown	R7			
CLKout8_TYPE	1	LVDS	R8			
Osc Buffer Control Mode	OSCOut1_TYPE	2	1600 mVpp LVPECL		Set LVPECL amplitude	R10
	OSCOut0_TYPE	1	LVDS	OSCOut0 default clock output	R10	27:24 [4]
	EN_OSCout1	0	Disabled	Disable OSCout1 output buffer	R10	23
	EN_OSCout0	1	Enabled	Enable OSCout0 output buffer	R10	22
	OSCOut1_MUX	0	Bypass Divider	Select OSCout divider for OSCout1 or bypass	R10	21
	OSCOut0_MUX	0	Bypass Divider	Select OSCout divider for OSCout0 or bypass	R10	20
	OSCOut_DIV	0	Divide-by-8	OSCOut divider value	R10	18:16 [3]

(1) On POR, any output from CLKout6 cannot be used. R3 must be programmed per datasheet specifications before CLKout6 can be used.

Table 4. Default Device Register Settings After Power On/Reset (continued)

GROUP	FIELD NAME	DEFAULT VALUE (DECIMAL)	DEFAULT STATE	FIELD DESCRIPTION	REGISTER	BIT LOCATION (MSB:LSB)
SYNC Control	NO_SYNC_CLKout10_11	0	Will sync	Disable individual clock groups from becoming synchronized.	R11	25
	NO_SYNC_CLKout8_9	1	Will not sync		R11	24
	NO_SYNC_CLKout6_7	1	Will not sync		R11	23
	NO_SYNC_CLKout4_5	0	Will sync		R11	22
	NO_SYNC_CLKout2_3	0	Will sync		R11	21
	NO_SYNC_CLKout0_1	0	Will sync		R11	20
	SYNC_POL_INV	1	Logic Low	Sets the polarity of the SYNC pin when input. (Use for software SYNC)	R11	16
	SYNC_TYPE	1	Input /w Pull-up	SYNC IO pin type	R11	13:12 [2]
Other Mode Control	EN_PLL_XTAL	0	Disabled	Enable Crystal oscillator for OSCin	R11	5
	LD_MUX	3	Reserved	Fest/LD pin selection when output	R12	31:27 [5]
	LD_TYPE	3	Output (Push-Pull)	LD IO pin type	R12	26:24 [3]
	SYNC_PLL_DLD	0	No effect	When set, force SYNC until PLL locks	R12	23
	READBACK_TYPE	3	Output (Push-Pull)	Readback Pin Type	R13	26:24 [3]
GPout	GPout0	2	Weak pull-down	GPout0 output state	R13	18:16 [3]
	GPout1	2	Weak pull-down	GPout1 output state	R14	28:26 [3]
PLL Control	PLL_C4_LF	0	10 pF	PLL integrated capacitor C4 value	R24	31:28 [4]
	PLL_C3_LF	0	10 pF	PLL integrated capacitor C3 value	R24	27:24 [4]
	PLL_R4_LF	0	200 Ω	PLL integrated resistor R4 value	R24	22:20 [3]
	PLL_R3_LF	0	200 Ω	PLL integrated resistor R3 value	R24	18:16 [3]
	EN_PLL_REF_2X	0	Disabled, 1x	Doubles reference frequency of PLL.	R26	29
	PLL_CP_GAIN	3	3.2 mA	PLL Charge Pump Gain	R26	27:26 [2]
	PLL_DLD_CNT	8192	8192 Counts	Number of PDF cycles which phase error must be within DLD window before LD state is asserted.	R26	19:6 [14]
	PLL_R	4	Divide-by-4	PLL R Divider (1 to 4095)	R28	31:20 [12]
	OSCin_FREQ	7	448 to 500 MHz	OSCin frequency range	R29	26:24 [3]
	PLL_N_CAL	48	Divide-by-48	Must be programmed to PLL_N value.	R29	22:5 [18]
	PLL_P	2	Divide-by-2	PLL N Divider Prescaler (2 to 8)	R30	26:24 [3]
PLL_N	48	Divide-by-48	PLL N Divider (1 to 262143)	R30	22:5 [18]	
uWire	uWire_LOCK	0	Writable	The values of registers R0 to R30 are lockable	R31	5

8.6.2 Register R0 TO R5

Registers R0 through R5 control the 12 clock outputs CLKout0 to CLKout11. Register R0 controls CLKout0 and CLKout1, Register R1 controls CLKout2 and CLKout3, and so on. The X and Y in CLKoutX_Y_PD, CLKoutX_Y_DIV denote the actual clock output which may be from 0 to 11 where X is even and Y is odd. Two clock outputs CLKoutX and CLKoutY form a clock output group and are often run together in bit names as CLKoutX_Y.

Two additional bits within the R0 to R5 register range are:

- The RESET bit, which is only in register R0.
- The POWERDOWN bit, which is only in register R1.

NOTE

R3 must be programmed after POR.

8.6.2.1 CLKoutX_Y_PD, Powerdown CLKoutX_Y Output Path

This bit powers down the clock group as specified by CLKoutX and CLKoutY. This includes the divider and output buffers.

Table 5. CLKoutX_Y_PD

R0-R5[31]	STATE
0	Power up clock group
1	Power down clock group

8.6.2.2 RESET

The RESET bit is located in register R0 only. Setting this bit will cause the silicon default values to be loaded. When programming register R0 with the RESET bit set, all other programmed values are ignored. After resetting the device, the register R0 must be programmed again (with RESET = 0) to set non-default values in register R0.

The reset occurs on the falling edge of the LEuWire pin which loaded R0 with RESET = 1.

The RESET bit is automatically cleared upon writing any other register. For instance, when R0 is written to again with default values.

Table 6. RESET

R0[17]	STATE
0	Normal operation
1	Reset (automatically cleared)

8.6.2.3 POWERDOWN

The POWERDOWN bit is located in register R1 only. Setting the bit causes the device to enter powerdown mode. Normal operation is resumed by clearing this bit with MICROWIRE.

Table 7. POWERDOWN

R1[17]	STATE
0	Normal operation
1	Powerdown

8.6.2.4 CLKoutX_Y_DIV, Clock Output Divide

CLKoutX_Y_DIV sets the divide value for the clock group. The divide may be even or odd. Both even and odd divides output a 50% duty cycle clock.

Using a divide value of 26 or greater will cause the clock group to operate in extended mode.

Programming CLKoutX_Y_DIV can require special attention.

Table 8. CLKoutX_Y_DIV, 11 bits

R0-R5[15:5]	DIVIDE VALUE	POWER MODE
0 (0x00)	Reserved	Normal Mode
1 (0x01)	1	
2 (0x02)	2 ⁽¹⁾	
3 (0x03)	3	
4 (0x04)	4 ⁽¹⁾	
5 (0x05)	5 ⁽¹⁾	
6 (0x06)	6	
...	...	
24 (0x18)	24	
25 (0x19)	25	
26 (0x1A)	26	Extended Mode
27 (0x1B)	27	
...	...	
1044 (0x414)	1044	
1045 (0x415)	1045	

- (1) After programming PLL_N value, a SYNC must occur on channels using this divide value. Programming PLL_N does generate a SYNC event automatically which satisfies this requirement, but NO_SYNC_CLKoutX_Y must be set to 0 for these clock groups.

8.6.3 Registers R6 TO R8

8.6.3.1 CLKoutX_TYPE

The clock output types of the LMK03806 are individually programmable. The CLKoutX_TYPE registers set the output type of an individual clock output to LVDS, LVPECL, LVCMOS, or powers down the output buffer. Note that LVPECL supports four different amplitude levels and LVCMOS supports single LVCMOS outputs, inverted, and normal polarity of each output pin for maximum flexibility.

The programming addresses table shows at what register and address the specified clock output CLKoutX_TYPE register is located.

The CLKoutX_TYPE table shows the programming definition for these registers.

Table 9. CLKoutX_TYPE Programming Addresses

CLKoutX	PROGRAMMING ADDRESS
CLKout0	R6[19:16]
CLKout1	R6[23:20]
CLKout2	R6[27:24]
CLKout3	R6[31:28]
CLKout4	R7[19:16]
CLKout5	R7[23:20]
CLKout6	R7[27:24]
CLKout7	R7[31:28]
CLKout8	R8[19:16]
CLKout9	R8[23:20]
CLKout10	R8[27:24]
CLKout11	R8[31:28]

Table 10. CLKoutX_TYPE, 4 Bits

R6-R8[31:28, 27:24, 23:20]	DEFINITION
0 (0x00)	Powerdown
1 (0x01)	LVDS
2 (0x02)	LVPECL (700 mVpp)
3 (0x03)	LVPECL (1200 mVpp)
4 (0x04)	LVPECL (1600 mVpp)
5 (0x05)	LVPECL (2000 mVpp)
6 (0x06)	LVCMOS (Norm/Inv)
7 (0x07)	LVCMOS (Inv/Norm)
8 (0x08) ⁽¹⁾	LVCMOS (Norm/Norm)
9 (0x09) ⁽¹⁾	LVCMOS (Inv/Inv)
10 (0x0A) ⁽¹⁾	LVCMOS (Low/Norm)
11 (0x0A) ⁽¹⁾	LVCMOS (Low/Inv)
12 (0x0C) ⁽¹⁾	LVCMOS (Norm/Low)
13 (0x0D) ⁽¹⁾	LVCMOS (Inv/Low)
14 (0x0E) ⁽¹⁾	LVCMOS (Low/Low)

(1) TI recommends to use one of the complementary LVCMOS modes. Best noise performance is achieved using LVCMOS (Norm/Inv) or LVCMOS (Inv/Norm) due to the differential switching of the outputs. The next best performance is achieved using an LVCMOS mode with only one output on. Finally, LVCMOS (Norm/Norm) or LVCMOS (Inv/Inv) have the create the most switching noise.

8.6.4 REGISTER R9

Register 9 contains no user programmable bits, but must be programmed as described in the register map.

8.6.5 REGISTER R10

8.6.5.1 OSCout1_TYPE, LVPECL Output Amplitude Control

The OSCout1 clock output can only be used as an LVPECL output type. OSCout1_TYPE sets the LVPECL output amplitude of the OSCout1 clock output.

Table 11. OSCout1_TYPE, 2 Bits

R10[31:30]	OUTPUT FORMAT
0 (0x00)	LVPECL (700 mVpp)
1 (0x01)	LVPECL (1200 mVpp)
2 (0x02)	LVPECL (1600 mVpp)
3 (0x03)	LVPECL (2000 mVpp)

8.6.5.2 OSCout0_TYPE

The OSCout0 clock output has a programmable output type. The OSCout0_TYPE register sets the output type to LVDS, LVPECL, LVCMOS, or powers down the output buffer. Note that LVPECL supports four different amplitude levels and LVCMOS supports dual and single LVCMOS outputs with inverted, and normal polarity of each output pin for maximum flexibility.

To turn on the output, the OSCout0_TYPE must be set to a non-power down setting and enabled with [EN_OSCoutX, OSCout Output Enable](#).

Table 12. OSCout0_TYPE, 4 Bits

R10[27:24]	DEFINITION
0 (0x00)	Powerdown
1 (0x01)	LVDS
2 (0x02)	LVPECL (700 mVpp)
3 (0x03)	LVPECL (1200 mVpp)
4 (0x04)	LVPECL (1600 mVpp)
5 (0x05)	LVPECL (2000 mVpp)
6 (0x06)	LVCMOS (Norm/Inv)
7 (0x07)	LVCMOS (Inv/Norm)
8 (0x08) ⁽¹⁾	LVCMOS (Norm/Norm)
9 (0x09) ⁽¹⁾	LVCMOS (Inv/Inv)
10 (0x0A) ⁽¹⁾	LVCMOS (Low/Norm)
11 (0x0B) ⁽¹⁾	LVCMOS (Low/Inv)
12 (0x0C) ⁽¹⁾	LVCMOS (Norm/Low)
13 (0x0D) ⁽¹⁾	LVCMOS (Inv/Low)
14 (0x0E) ⁽¹⁾	LVCMOS (Low/Low)

(1) TI recommends to use one of the complementary LVCMOS modes. Best noise performance is achieved using LVCMOS (Norm/Inv) or LVCMOS (Inv/Norm) due to the differential switching of the outputs. The next best performance is achieved using an LVCMOS mode with only one output on. Finally, LVCMOS (Norm/Norm) or LVCMOS (Inv/Inv) have the create the most switching noise.

8.6.5.3 EN_OSCoutX, OSCout Output Enable

EN_OSCoutX is used to enable an oscillator buffered output.

Table 13. EN_OSCout1

R10[23]	OUTPUT STATE
0	OSCout1 Disabled
1	OSCout1 Enabled

Table 14. EN_OSCout0

R10[22]	OUTPUT STATE
0	OSCout0 Disabled
1	OSCout0 Enabled

OSCout0 note: In addition to enabling the output with EN_OSCout0. The OSCout0_TYPE must be programmed to a non-power down value for the output buffer to power up.

8.6.5.4 OSCoutX_MUX, Clock Output Mux

Sets OSCoutX buffer to output a divided or bypassed OSCin signal.

Table 15. OSCout1_MUX

R10[21]	MUX OUTPUT
0	Bypass divider
1	Divided

Table 16. OSCout0_MUX

R10[20]	Mux Output
0	Bypass divider
1	Divided

8.6.5.5 OSCout_DIV, Oscillator Output Divide

The OSCout divider can be programmed from 2 to 8. Divide by 1 is achieved by bypassing the divider with [OSCoutX_MUX, Clock Output Mux](#).

Table 17. OSCout_DIV, 3 Bits

R10[18:16]	DIVIDE
0 (0x00)	8
1 (0x01)	2
2 (0x02)	2
3 (0x03)	3
4 (0x04)	4
5 (0x05)	5
6 (0x06)	6
7 (0x07)	7

8.6.6 REGISTER R11

8.6.6.1 NO_SYNC_CLKoutX_Y

The NO_SYNC_CLKoutX_Y bits prevent individual clock groups from becoming synchronized during a SYNC event. A reason to prevent individual clock groups from becoming synchronized is that during synchronization, the clock output is in a fixed low state or can have a glitch pulse.

By disabling SYNC on a clock group, it will continue to operate normally during a SYNC event.

Setting the NO_SYNC_CLKoutX_Y bit has no effect on clocks already synchronized together.

Table 18. NO_SYNC_CLKoutX_Y Programming Addresses

NO_SYNC_CLKoutX_Y	PROGRAMMING ADDRESS
CLKout0 and 1	R11:20
CLKout2 and 3	R11:21
CLKout4 and 5	R11:22
CLKout6 and 7	R11:23
CLKout8 and 9	R11:24
CLKout10 and 11	R11:25

Table 19. NO_SYNC_CLKoutX_Y

R11[25, 24, 23, 22, 21, 20]	DEFINITION
0	CLKoutX_Y will synchronize
1	CLKoutX_Y will not synchronize

8.6.6.2 SYNC_POL_INV

Sets the polarity of the SYNC pin when input. When SYNC is asserted the clock outputs will transition to a low state.

Table 20. SYNC_POL_INV

R11[16]	POLARITY
0	SYNC is active high
1	SYNC is active low

8.6.6.3 SYNC_TYPE

Sets the IO type of the SYNC pin.

Table 21. SYNC_TYPE, 2 Bits

R11[13:12]	POLARITY
0 (0x00)	Input
1 (0x01)	Input /w pull-up resistor
2 (0x02)	Input /w pull-down resistor

8.6.6.4 EN_PLL_XTAL

If an external crystal is being used to implement a discrete VCXO, the internal feedback amplifier must be enabled with this bit in order to complete the oscillator circuit.

Table 22. EN_PLL_XTAL

R11[5]	OSCILLATOR AMPLIFIER STATE
0	Disabled
1	Enabled

8.6.7 REGISTER R12

8.6.7.1 LD_MUX

LD_MUX sets the output value of the Ftest/LD pin.

All the outputs logic is active high when LD_TYPE = 3 (Output). All the outputs logic is active low when LD_TYPE = 4 (Output Inverted). For example, when LD_MUX = 0 (Logic Low) and LD_TYPE = 3 (Output) then Ftest/LD pin outputs a logic low. When LD_MUX = 0 (Logic Low) and LD_TYPE = 4 (Output Inverted) then Ftest/LD pin outputs a logic high.

Table 23. LD_MUX, 5 Bits

R12[31:27]	DIVIDE
0 (0x00)	Logic Low
1 (0x01)	Reserved
2 (0x02)	PLL DLD
3 (0x03)	Reserved
...	...
12 (0x0C)	Reserved
13 (0x0D)	PLL N
14 (0x0E)	PLL N/2
15 (0x0F)	Reserved
16 (0x10)	Reserved
17 (0x11)	PLL R ⁽¹⁾
18 (0x12)	PLL R/2 ⁽¹⁾

(1) Only valid when LD_MUX is not set to 2 (PLL_DLD).

8.6.7.2 LD_TYPE

Sets the IO type of the LD pin.

Table 24. LD_TYPE, 3 Bits

R12[26:24]	POLARITY
0 (0x00)	Reserved
1 (0x01)	Reserved
2 (0x02)	Reserved
3 (0x03)	Output (push-pull)
4 (0x04)	Output inverted (push-pull)
5 (0x05)	Output (NMOS open source)
6 (0x06)	Output (PMOS open drain)

8.6.7.3 SYNC_PLL_DLD

By setting SYNC_PLL_DLD a SYNC mode will be engaged (asserted SYNC) until the PLL locks.

Table 25. SYNC_PLL_DLD

R12[23]	SYNC MODE FORCED
0	No
1	Yes

8.6.8 REGISTER R13

8.6.8.1 READBACK_TYPE

Sets the IO format of the readback pin. The open drain output type can be used to interface the LMK03806 with low voltage IO rails.

Table 26. READBACK_TYPE, 3 Bits

R13[26:24]	POLARITY
0 (0x00)	Reserved
1 (0x01)	Reserved
2 (0x02)	Reserved
3 (0x03)	Output (push-pull)
4 (0x04)	Output inverted (push-pull)
5 (0x05)	Output (NMOS open source)
6 (0x06)	Output (PMOS open drain)

8.6.8.2 GPout0

Sets the output state of the GPout0 pin.

Table 27. GPout0, 3 Bits

R13[18:16]	OUTPUT STATE
0 (0x00)	Reserved
1 (0x01)	Reserved
2 (0x02)	Weak pull-down
3 (0x03)	Low (0 V)
4 (0x04)	High (3.3 V)

8.6.9 REGISTER 14

8.6.9.1 GPout1

Sets the output state of the GPout1 pin.

Table 28. GPout1, 3 Bits

R14[26:24]	OUTPUT STATE
0 (0x00)	Reserved
1 (0x01)	Reserved
2 (0x02)	Weak pull-down
3 (0x03)	Low (0 V)
4 (0x04)	High (3.3 V)

8.6.10 REGISTER 16

Register 16 contains no user programmable bits, but must be programmed as described in the register map.

8.6.11 REGISTER 24

8.6.11.1 PLL_C4_LF, PLL Integrated Loop Filter Component

Internal loop filter components are available for the PLL, enabling either 3rd or 4th order loop filters without requiring external components.

Internal loop filter capacitor C4 can be set according to the values listed in [Table 29](#).

Table 29. PLL_C4_LF, 4 Bits

R24[31:28]	LOOP FILTER CAPACITANCE (pF)
0 (0x00)	10 pF
1 (0x01)	15 pF
2 (0x02)	29 pF
3 (0x03)	34 pF
4 (0x04)	47 pF
5 (0x05)	52 pF
6 (0x06)	66 pF
7 (0x07)	71 pF
8 (0x08)	103 pF
9 (0x09)	108 pF
10 (0x0A)	122 pF
11 (0x0B)	126 pF
12 (0x0C)	141 pF
13 (0x0D)	146 pF
14 (0x0E)	Reserved
15 (0x0F)	Reserved

8.6.11.2 PLL_C3_LF, PLL Integrated Loop Filter Component

Internal loop filter components are available for the PLL, enabling either 3rd or 4th order loop filters without requiring external components.

Internal loop filter capacitor C3 can be set according to the values listed in [Table 30](#).

Table 30. PLL_C3_LF, 4 Bits

R24[27:24]	LOOP FILTER CAPACITANCE (pF)
0 (0x00)	10 pF
1 (0x01)	11 pF
2 (0x02)	15 pF
3 (0x03)	16 pF
4 (0x04)	19 pF
5 (0x05)	20 pF
6 (0x06)	24 pF
7 (0x07)	25 pF
8 (0x08)	29 pF
9 (0x09)	30 pF
10 (0x0A)	33 pF
11 (0x0B)	34 pF
12 (0x0C)	38 pF
13 (0x0D)	39 pF
14 (0x0E)	Reserved
15 (0x0F)	Reserved

8.6.11.3 PLL_R4_LF, PLL Integrated Loop Filter Component

Internal loop filter components are available for the PLL, enabling either 3rd or 4th order loop filters without requiring external components.

Internal loop filter resistor R4 can be set according to the values listed in [Table 31](#).

Table 31. PLL_R4_LF, 3 Bits

R24[22:20]	RESISTANCE
0 (0x00)	200 Ω
1 (0x01)	1 k Ω
2 (0x02)	2 k Ω
3 (0x03)	4 k Ω
4 (0x04)	16 k Ω
5 (0x05)	Reserved
6 (0x06)	Reserved
7 (0x07)	Reserved

8.6.11.4 PLL_R3_LF, PLL Integrated Loop Filter Component

Internal loop filter components are available for the PLL, enabling either 3rd or 4th order loop filters without requiring external components.

Internal loop filter resistor R3 can be set according to the values listed in [Table 32](#).

Table 32. PLL_R3_LF, 3 Bits

R24[18:16]	RESISTANCE
0 (0x00)	200 Ω
1 (0x01)	1 k Ω
2 (0x02)	2 k Ω
3 (0x03)	4 k Ω
4 (0x04)	16 k Ω
5 (0x05)	Reserved
6 (0x06)	Reserved
7 (0x07)	Reserved

8.6.12 REGISTER 26

8.6.12.1 EN_PLL_REF_2X, PLL Reference Frequency Doubler

Enabling the PLL reference frequency doubler allows for higher phase detector frequencies on the PLL than would normally be allowed with the given VCXO or Crystal frequency.

Higher phase detector frequencies reduces the PLL N values which makes the design of wider loop bandwidth filters possible.

Table 33. EN_PLL_REF_2X

R26[29]	DESCRIPTION
0	Reference frequency normal
1	Reference frequency doubled (2x)

8.6.12.2 PLL_CP_GAIN, PLL Charge Pump Current

This bit programs the PLL charge pump output current level.

Table 34. PLL_CP_GAIN, 2 Bits

R26[27:26]	CHARGE PUMP CURRENT (μ A)
0 (0x00)	100
1 (0x01)	400
2 (0x02)	1600
3 (0x03)	3200

8.6.12.3 PLL_DLD_CNT

The reference and feedback of the PLL must be within the window of acceptable phase error for **PLL_DLD_CNT** cycles before PLL digital lock detect is asserted.

Table 35. PLL_DLD_CNT, 14 Bits

R26[19:6]	DIVIDE
0 (0x00)	Reserved
1 (0x01)	1
2 (0x02)	2
3 (0x03)	3
...	...
16,382 (0x3FFE)	16,382
16,383 (0x3FFF)	16,383

8.6.13 REGISTER 28

8.6.13.1 PLL_R, PLL R Divider

The reference path into the PLL phase detector includes the PLL R divider.

[Table 36](#) lists the valid values for PLL_R.

Table 36. PLL_R, 12 Bits

R28[31:20]	DIVIDE
0 (0x00)	Not Valid
1 (0x01)	1
2 (0x02)	2
3 (0x03)	3
...	...
4,094 (0xFFE)	4,094
4,095 (0xFFF)	4,095

8.6.14 REGISTER 29

8.6.14.1 OSCin_FREQ, PLL Oscillator Input Frequency Register

The frequency of the PLL reference input to the PLL Phase Detector (OSCin/OSCin* port) must be programmed in order to support proper operation of the frequency calibration routine which locks the internal VCO to the target frequency.

Table 37. OSCin_FREQ, 3 Bits

R29[26:24]	OSCin FREQUENCY
0 (0x00)	0 to 63 MHz
1 (0x01)	>63 MHz to 127 MHz
2 (0x02)	>127 MHz to 255 MHz
3 (0x03)	Reserved
4 (0x04)	>255 MHz to 500 MHz

8.6.14.2 PLL_N_CAL, PLL N Calibration Divider

During the frequency calibration routine, the PLL uses the divide value of the PLL_N_CAL register instead of the divide value of the PLL_N register to lock the VCO to the target frequency.

Table 38. PLL_N_CAL, 18 Bits

R29[22:5]	DIVIDE
0 (0x00)	Not Valid
1 (0x01)	1
2 (0x02)	2
...	...
262,143 (0x3FFFF)	262,143

8.6.15 REGISTER 30

Programming Register 30 triggers the frequency calibration routine. This calibration routine will also generate a SYNC event.

8.6.15.1 PLL_P, PLL N Prescaler Divider

The PLL N Prescaler divides the output of the VCO and is connected to the PLL N divider.

Table 39. PLL_P, 3 Bits

R30[26:24]	DIVIDE VALUE
0 (0x00)	8
1 (0x01)	2
2 (0x02)	2
3 (0x03)	3
4 (0x04)	4
5 (0x05)	5
6 (0x06)	6
7 (0x07)	7

8.6.15.2 PLL_N, PLL N Divider

The feedback path into the PLL phase detector includes the PLL N divider.

Each time register 30 is updated through the MICROWIRE interface, a frequency calibration routine runs to lock the VCO to the target frequency. During this calibration PLL_N is substituted with PLL_N_CAL.

[Table 40](#) lists the valid values for PLL_N.

Table 40. PLL_N, 18 Bits

R30[22:5]	DIVIDE
0 (0x00)	Not Valid
1 (0x01)	1
2 (0x02)	2
	...
262,143 (0x3FFFF)	262,143

8.6.16 REGISTER 31
8.6.16.1 READBACK_ADDR
Table 41. READBACK_ADDR

R31[20:16]	STATE
0	R0
1	R1
2	R2
3	R3
4	R4
5	R5
6	R6
7	R7
8	R8
9	R9
10	R10
11	R11
12	R12
13	R13
14	R14
15	Reserved
16	R16
17	Reserved
...	...
23	Reserved
24	R24
25	Reserved
26	R26
27	Reserved
28	R28
29	R29
30	R30

8.6.16.2 uWire_LOCK

Setting `uWire_LOCK` will prevent any changes to `uWire` registers R0 to R30. Only by clearing the `uWire_LOCK` bit in R31 can the `uWire` registers be unlocked and written to once more.

It is not necessary to lock the registers to perform a readback operation.

Table 42. uWire_LOCK

R31[5]	STATE
0	Registers unlocked
1	Registers locked, Write-protect

9 Application and Implementation

NOTE

Information in the following applications sections is not part of the TI component specification, and TI does not warrant its accuracy or completeness. TI's customers are responsible for determining suitability of components for their purposes. Customers should validate and test their design implementation to confirm system functionality.

9.1 Application Information

9.1.1 Crystal Interface

The LMK03806 has an integrated crystal oscillator circuit on that supports a fundamental mode, AT-cut crystal. The crystal interface is shown in Figure 13.

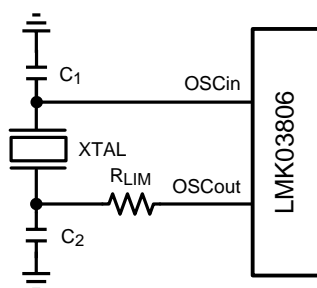


Figure 13. Crystal Interface

The load capacitance (C_L) is specific to the crystal, but usually on the order of 18 - 20 pF. While C_L is specified for the crystal, the OSCin input capacitance ($C_{IN} = 6$ pF typical) of the device and PCB stray capacitance ($C_{STRAY} \sim 1\text{--}3$ pF) can affect the discrete load capacitor values, C_1 and C_2 .

For the parallel resonant circuit, the discrete capacitor values can be calculated as follows:

$$C_L = (C_1 \times C_2) / (C_1 + C_2) + C_{IN} + C_{STRAY} \quad (1)$$

Typically, $C_1 = C_2$ for optimum symmetry, so Equation 1 can be rewritten in terms of C_1 only:

$$C_L = C_1^2 / (2 \times C_1) + C_{IN} + C_{STRAY} \quad (2)$$

Finally, solve for C_1 :

$$C_1 = (C_L - C_{IN} - C_{STRAY}) \times 2 \quad (3)$$

[Electrical Characteristics](#) provides crystal interface specifications with conditions that ensure start-up of the crystal, but it does not specify crystal power dissipation. The designer will need to ensure the crystal power dissipation does not exceed the maximum drive level specified by the crystal manufacturer. Overdriving the crystal can cause premature aging, frequency shift, and eventual failure. Drive level should be held at a sufficient level necessary to start-up and maintain steady-state operation.

The power dissipated in the crystal, P_{XTAL} , can be computed by:

$$P_{XTAL} = I_{RMS}^2 \times R_{ESR} \times (1 + C_0/C_L)^2$$

where

- I_{RMS} is the RMS current through the crystal.
 - R_{ESR} is the maximum equivalent series resistance specified for the crystal
 - C_L is the load capacitance specified for the crystal
 - C_0 is the minimum shunt capacitance specified for the crystal
- (4)

I_{RMS} can be measured using a current probe (for example, Tektronix CT-6 or equivalent) placed on the leg of the crystal connected to OSCin* with the oscillation circuit active.

Application Information (continued)

As shown in Figure 13, an external resistor, R_{LIM} , can be used to limit the crystal drive level, if necessary. If the power dissipated in the selected crystal is higher than the drive level specified for the crystal with R_{LIM} shorted, then a larger resistor value is mandatory to avoid overdriving the crystal. However, if the power dissipated in the crystal is less than the drive level with R_{LIM} shorted, then a zero value for R_{LIM} can be used. As a starting point, a suggested value for R_{LIM} is 1.5 k Ω .

9.1.2 Driving OSCin Pins With a Single-Ended Source

The LMK03806 has an ability to be driven by an external reference. Typical external reference interfaces are shown in Figure 14 and Figure 15.

In applications where the external reference amplitude is less than the V_{OSCin} specification of 2.4 V_{pp}, Figure 14 is an appropriate method of interfacing the reference to the LMK03806.

In applications where the external reference amplitude is greater than the V_{OSCin} specification of 2.4 V_{pp}, Figure 15 is an appropriate method of interfacing the reference to the LMK03806.

In both cases C1 and C2 should be present a low impedance at the reference frequency. A typical value for C1 and C2 is 0.1 μ F.

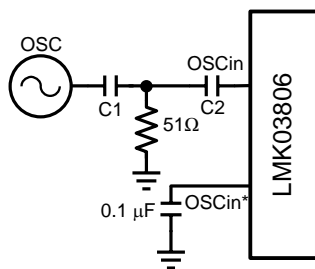


Figure 14. LVC MOS External Reference Interface

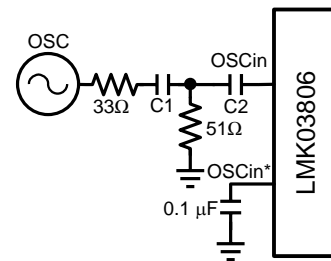


Figure 15. 3.3 V_{pp} External Reference Interface

Using an external reference, such as a crystal oscillator (XO), may provide better phase noise than a crystal at offsets below the loop bandwidth. If the jitter integration bandwidth for the application of interest is above the loop filter bandwidth, the added phase noise of a crystal will not be a significant jitter contributor and may be a more cost effective solution than an XO. Also, operating at higher reference frequencies allows higher phase detector frequencies, which also improves in band PLL phase noise performance.

9.1.3 Driving OSCin Pins With a Differential Source

The OSCin port can be driven by differential signals. The LMK03806 internally biases the input pins so the differential interface should be AC coupled. The recommended circuits for driving the OSCin pins with either LVDS or LVPECL are shown below.

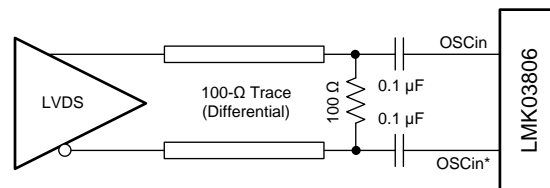


Figure 16. OSCin/OSCin* Termination for an LVDS Reference Clock Source

Application Information (continued)

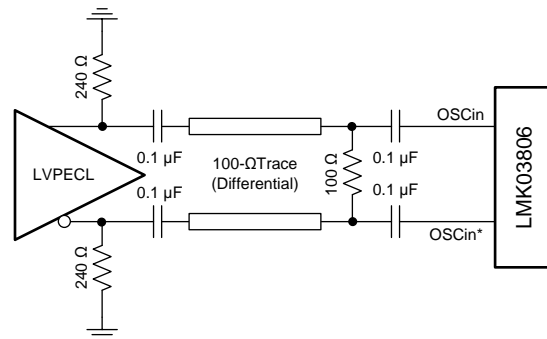


Figure 17. OSCin/OSCin* Termination for an LVPECL Reference Clock Source

9.1.4 Frequency Planning With the LMK03806

Calculating the value of the output dividers is simple due to the architecture of the LMK03806. That is, the clock output dividers allow for even and odd output divide values from 2 to 1045. The procedure for determining the PLL and clock output divider values for a set of clock output frequencies is straightforward.

1. Calculate the least common multiple (LCM) of the clock output frequencies.
2. Determine which VCO frequency will support the target clock output frequencies given the LCM.
3. Determine the clock output divide values based on VCO frequency.
4. Determine the PLL divider values – VCO_DIV, PLL_P, PLL_N, and PLL_R – to allow the VCO frequency to lock to the OSCin frequency. For best in-band PLL noise, try to maximize the PLL phase detector frequency by using the smallest PLL divider values and enabling the PLL doubler.

For example, given the following target output frequencies: 156.25 MHz, 125 MHz, 100 MHz, and 25 MHz with a OSCin frequency of 20 MHz:

1. Determine the LCM of the three frequencies. $\text{LCM}(156.25, 125, 100, 25) = 2500$ MHz. The LCM frequency is the lowest frequency for which all of the target output frequencies are integer divisors of the LCM. Note: if there is one frequency which causes the LCM to be very large, greater than 2.6 GHz for example, determine if there is a single frequency requirement which causes this. It may be possible to select the crystal frequency to satisfy this frequency requirement through OSCout or CLKout6/7/8/9 driven by OSCin. In this way it is possible to get non-integer related frequencies at the outputs.
2. Multiply the LCM frequency by an integer value that causes the product ($\text{LCM} * x$) to fall into the valid VCO frequency range from 2370 to 2600 MHz. In this case, the LCM frequency of 2500 MHz is already within the VCO frequency.
3. Continuing the example by using a VCO frequency of 2500 MHz, the CLKout dividers can be calculated by simply dividing the VCO frequency by the output frequency. To output 156.25 MHz, 125 MHz, 100 MHz, and 25 MHz, the output dividers will be 16, 20, 25, and 100, respectively.
 - a. $2500 \text{ MHz} / 156.25 \text{ MHz} = 16$
 - b. $2500 \text{ MHz} / 125 \text{ MHz} = 20$
 - c. $2500 \text{ MHz} / 100 \text{ MHz} = 25$
 - d. $2500 \text{ MHz} / 25 \text{ MHz} = 100$
4. The PLL must be locked to its input reference. Refer to [Configuring the PLL](#) for more information on this topic. By programming the clock output dividers and the PLL dividers, the VCO can be locked to 2500 MHz and the clock outputs dividers can each divide-down the VCO frequency to the achieve the target output frequencies.

Refer to Application Note AN-1865, Frequency Synthesis and Planning for PLL Architectures (SNAA061) for more information on this topic and LCM calculations.

Application Information (continued)

9.1.5 Configuring the PLL

For the PLL to operate in closed-loop mode, the following relationships in Equations 5 and 6 must be satisfied to ensure the PLL phase detector input frequencies for the reference and feedback paths are equal.

$$F_{pd} = F_{osc} * PLL_D / PLL_R \text{ (PLL reference path)} \quad (5)$$

$$F_{pd} = F_{vco} / (PLL_P * PLL_N) \text{ (PLL feedback path)}$$

where

- F_{pd} = PLL phase detector frequency ($F_{pd} \leq 155$ MHz)
- F_{OSCin} = OSCin reference frequency ($F_{osc} \leq 500$ MHz)
- F_{vco} = VCO frequency (VCO tuning range = 2370 to 2600 MHz)
- PLL_D = PLL reference doubler mode (Disabled = 1, Enabled = 2)
- PLL_R = PLL reference divider (values = 1 to 4095)
- PLL_P = PLL N prescaler divider (values = 2 to 8)
- PLL_N = PLL N divider (values = 1 to 262143)

NOTE

When F_{OSCin} and F_{pd} are equal, the best PLL in-band noise can be achieved with the PLL reference doubler enabled (EN_PLL_REF_2X=1) and the PLL reference divider is 2 (PLL_R =2), rather than with the doubler disabled (EN_PLL_REF_2X=0) and PLL reference divider of 1 (PLL_R=1).

The output frequency is related to F_{vco} as follows.

$$F_{CLKout} = F_{vco} / OUT_DIV$$

where

- OUT_DIV: Output channel divider (value = 1 to 1045)

9.1.5.1 Example PLL Configuration

Continuing the example above, we are given the target output frequencies of 156.25 MHz, 125 MHz, 100 MHz, and 25 MHz with an OSCin frequency of 20 MHz. As previously calculated, the LCM and F_{vco} is 2500 MHz.

First, we will consider the PLL reference path. For lowest possible in-band PLL flat noise, we will try to maximize phase detector frequency. In this case, the highest F_{pd} possible from the reference path is 40 MHz (with the reference doubler enabled, doubling the 20 MHz OSCin). However, since 40 MHz does not divide into 2500 MHz by an integer value (and thus is unable to be reproduced by the PLL feedback path), we are required to use an F_{pd} of 20 MHz instead, which does divide into 2500 by an integer value of 125. As noted above, when F_{OSCin} and F_{pd} are equal, the best PLL in-band noise can be achieved with the PLL reference doubler enabled (EN_PLL_REF_2X=1) and the PLL reference divider is 2 (PLL_R =2).

Next, we will consider the PLL feedback path. As determined earlier, F_{vco} is 2500 MHz and F_{pd} is 20 MHz, which is 2500 MHz divided by 125. The prescaler and N divider settings together must divide F_{vco} by 125. Given that the prescaler can be set between 2 to 8 and the N divider can be set between 1 to 262,143, the only setting that would work in this case is a prescaler value of 5 and an N divider value of 25. Note that in a case where multiple configurations are possible, increasing the N divider value will reduce loop filter component sizes.

Application Information (continued)

9.1.6 Digital Lock Detect

The digital lock detect circuit is used to determine the lock status of the PLL. The flowchart in Figure 18 shows the general way this circuit works.

EVENT	PLL	WINDOW SIZE (ϵ)	LOCK COUNT
PLL Locked	PLL	3.7 ns	PLL_DLD_CNT

For a digital lock detect event to occur there must be a number of PLL phase detector cycles during which the time/phase error of the PLL_R reference and PLL_N feedback signal edges are within the 3.7 ns window size of the LMK03806. *Lock count* is the term which is used to specify how many PLL phase detector cycles have been within the window size of 3.7 ns at any given time. Since there must be a specified number phase detector events before a lock event occurs, a minimum digital lock event time can be calculated as $lock\ count / F_{pd}$.

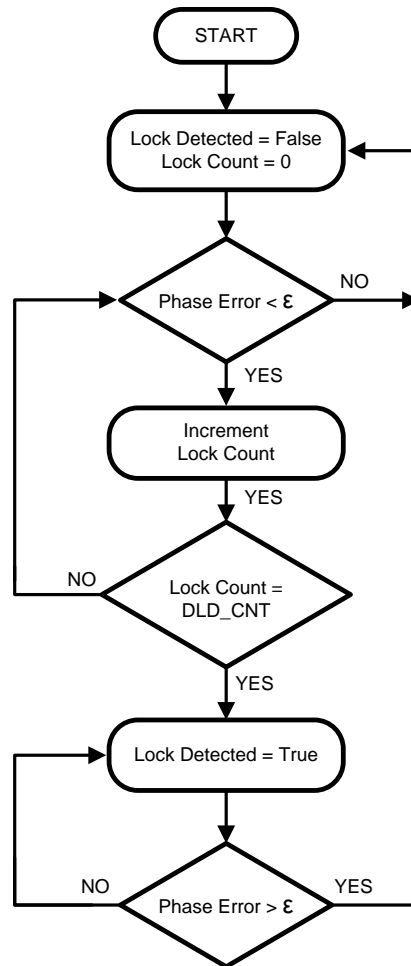


Figure 18. Digital Lock Detect Flow Diagram

A user specified ppm accuracy for lock detect is programmable using a lock count register. By using [Equation 8](#), values for a *lock count* and *window size* can be chosen to set the frequency accuracy required by the system in ppm before the digital lock detect event occurs. Units of F_{pd} are Hertz:

$$\text{ppm} = \frac{2e6 \times 3.7 \text{ ns} \times f_{PD}}{\text{PLL_DLD_CNT}} \quad (8)$$

The effect of the *lock count* value is that it shortens the effective lock window size by dividing the *window size* by *lock count*.

If at any time the PLL_R reference and PLL_N feedback signals are outside the time window set by *window size*, then the *lock count* value is reset to 0.

For example, we will calculate the minimum PLL digital lock time given a PLL F_{pd} of 40 MHz and PLL_DLD_CNT = 10,000. The minimum lock time of PLL will be $10,000 / 40 \text{ MHz} = 250 \mu\text{s}$.

9.2 Typical Application

Normal use case of the LMK03806 device is as a clock generator. This section will discuss a design example to show the various functional aspects of the LMK03806 device.

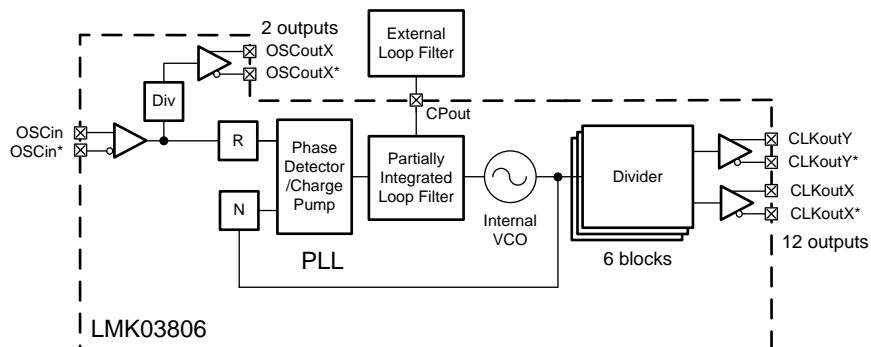


Figure 19. Simplified Functional Block Diagram

9.2.1 Design Requirements

A networking line card type application needs a clocking solution for an ASIC, FPGA, CPU, PCIe 3.0 interface, and a 10G PHY. The input clock will be a crystal oscillator. A summary of clock input and output requirements are as follows:

Clock Input:

- 20 MHz oscillator

Clock Outputs:

- 2x 156.25-MHz LVPECL clock for ASIC
- 2x 156.25-MHz LVPECL clock for 10G PHY
- 4x 100-MHz HCSL for PCIe 3.0
- 2x 100-MHz LVDS for FPGA
- 2x 50-MHz LVCMOS for CPU

The following information reviews the steps to produce this design.

9.2.2 Detailed Design Procedure

Design of all aspects of the LMK03806 is quite involved and software has been written to assist in part selection, part programming, loop filter design, and simulation. This design procedure will give a quick outline of the process.

NOTE

This information is current as of the date of the release of this datasheet. Design tools receive continuous enhancements to add features and improve model accuracy. Refer to software instructions or training for latest features.

1. Device Selection

- The key to device selection is the required F_{VCO} given the required output frequencies. The device must be able to produce a F_{VCO} that can be divided down to required output frequencies.
- The software design tools will take into account the F_{VCO} range for specific devices based on the application's required output frequencies.

2. Device Configuration

- There are many possible permutations of dividers and other registers to get same output frequencies from a device. However there are some optimizations and trade-offs to be considered.
 - If more than one divider is in series, for instance PLL prescaler followed by PLL N divider, it is possible although not assured that some crosstalk/mixing could be created when using some dividers.
- The design software normally attempts to maximize F_{pd} , use smallest dividers, and maximize PLL charge

Typical Application (continued)

pump current.

- Refer to [Configuring the PLL](#) for divider equations to ensure the PLL is locked. The design software is able to configure the device for most cases.
- These guidelines may be followed when configuring PLL related dividers or other related registers:
 - For lowest possible in-band PLL flat noise, maximize F_{pd} to minimize N divide value.
 - For lowest possible in-band PLL flat noise, maximize charge pump current. Higher value charge pump currents often yield similar performance.
 - To reduce loop filter component sizes, increase the total feedback divide value ($PLL_P * PLL_N$) and/or reduce charge pump current.
 - As rule of thumb, keep F_{pd} approximately between $10 * PLL$ loop bandwidth and $100 * PLL$ loop bandwidth. An F_{pd} value less than $5 * PLL$ bandwidth may be unstable and a $F_{pd} > 100 * loop$ bandwidth may experience increased lock time due to cycle slipping.

3. PLL Loop Filter Design

- TI recommends to use Clock Design Tool or Clock Architect to design your loop filter.
- The Clock Design Tool will return solutions with high reference/phase detector frequencies by default. In the Clock Design Tool the user may choose to increase the reference divider to reduce the F_{pd} to achieve a narrow loop bandwidth, so it is possible to reduce loop filter capacitor to a practical value.
- While designing the loop filter, adjusting the charge pump current and/or the total feedback divide value ($PLL_P * PLL_N$) can help with loop filter component selection. Lower charge pump currents and larger N values result in smaller loop filter capacitor values but at the expense of increased in-band PLL phase noise.
- More detailed understanding of PLL loop filter design can found in *PLL Performance, Simulation, and Design* (www.ti.com/tool/pll_book).

4. Clock Output Assignment

- At this point of time, the design software does not take into account frequency assignment to specific outputs except to ensure that the output frequencies can be achieved. It is best to consider proximity of each clock output to each other and other PLL circuitry when choosing final clock output locations. Here are some guidelines to help achieve best performance when assigning outputs to specific CLKout/OSCout pins.
 - Group common frequencies together.
 - PLL charge pump circuitry can cause crosstalk at charge pump frequency. Place outputs sharing charge pump frequency or lower priority outputs that are not sensitive to charge pump frequency spurs together.

5. Other device specific configuration. For LMK03806 consider the following:

- PLL digital lock detect based on programming:
 - There is a digital lock detect circuit which is used to determine the lock status of the PLL. It can also be used to ensure a specific frequency accuracy. A user specified frequency accuracy required to trigger a lock detect event is programmable using a lock count register. Refer to [Digital Lock Detect](#) for more information.

6. Device Programming

- The software tool CodeLoader for EVM programming can be used to set up the device in the desired configuration, then export a hex register map suitable for use in application. Some additional information on each part of the design procedure for the example is outlined below.

Typical Application (continued)

9.2.2.1 Device Selection

WEBENCH Clock Architect Tool or Clock Design Tool can be used as aids in device selection. Enter the required frequencies and formats into the tools. To find this device, select a solution based on LMK03806B (referring to the evaluation board).

9.2.2.1.1 Clock Architect

When generating solutions, it is possible to narrow the parts used in the solution by setting the appropriate part filter.

9.2.2.1.2 Clock Design Tool

In wizard-mode, select Single PLL and fill in the input frequency and desired output frequencies to generate a list of solutions. If the example values are used, the LMK03806 should be listed as the first result.

9.2.2.1.3 Calculation Using LCM

In this example, the LCM of 156.25 MHz, 100 MHz, and 50 MHz = 2500 MHz. This value is a valid F_{VCO} for the LMK03806. Therefore, it may be used to produce these output frequencies.

9.2.2.2 Device Configuration

The tools listed above automatically configure the clock solution to meet the input and output frequency requirements given and make assumptions about certain parameters to give default simulation results. The assumptions made are to maximize input frequencies, F_{pd} , and charge pump currents while minimizing F_{VCO} and divider values. We will also outline the steps for manually configuring the device below for greater flexibility. Note that this procedure is the same as the one outlined in the [Frequency Planning With the LMK03806](#) and [Configuring the PLL](#) sections, which can be referenced for a more detailed explanation.

We are given the target output frequencies of 156.25 MHz, 125 MHz, 100 MHz, and 25 MHz with an F_{OSCin} of 20 MHz. As previously calculated, the LCM and F_{VCO} is 2500 MHz.

First, we will consider the PLL reference path. For lowest possible in-band PLL flat noise, we will try to maximize F_{pd} . 20 MHz is the highest frequency which divides into 2500 MHz by an integer value and which can also be synthesized from F_{OSCin} . As noted earlier, when F_{OSCin} and f_{pd} are equal, the best PLL in-band noise can be achieved with the PLL reference doubler enabled ($EN_PLL_REF_2X=1$) and the PLL reference divider is 2 ($PLL_R=2$).

Next, we will consider the PLL feedback path. As determined earlier, F_{VCO} is 2500 MHz and the F_{pd} is 20 MHz, which is 2500 MHz divided by 125. The prescaler and N divider settings together must divide F_{VCO} by 125. The only setting that works in this case is a prescaler value of 5 and an N divider value of 25.

At this point the design meets all input and output frequency requirements and it is possible to design a loop filter for the application and simulate phase noise of the output clocks.

9.2.2.3 PLL Loop Filter Design

At this time, the user may choose to use the simulation tools for more accurate simulations. For example:

- Clock Design Tool allows loading a custom phase noise profile for various blocks. Typically, a custom phase noise plot is entered for OSCin to match the reference phase noise to the device. For improved accuracy in simulation and optimum loop filter design, be sure to load these custom noise profiles for use in application. After loading a phase noise plot, user should recalculate the recommended loop filter design.
- The Clock Design Tool will return solutions with high reference/phase detector frequencies by default. In the Clock Design Tool the user may increase the reference divider to reduce the frequency if desired. For example, if a narrow loop bandwidth is desired, it is possible to reduce F_{pd} by increasing the PLL R divider.

Note: Clock Design Tool provides some recommended loop filters upon first loading the simulation. These values are not re-calculated any time PLL related values are changed (for example, input phase noise, charge pump current, divider values, etc.), so it is recommended to re-design the PLL loop filter, either by manually entering desired values, or by using the 'Design a Loop Filter' button in the LOOPFILTER box.

Typical Application (continued)

9.2.2.3.1 Example Loop Filter Design

In the LOOPFILTER box, there are options for displaying a bode plot, simulating phase noise, and re-calculating loop filter values. Selecting the 'Design a Loop Filter' button brings up a window where a target bandwidth and phase margin can be entered and the tool will re-design the loop filter component values to converge to the specified targets. Component values can also be manually entered and the tool will calculate the resulting loop filter parameters.

For this example, a custom phase noise plot was uploaded based on measured data for the reference oscillator input. F_{pd} was set to 20 MHz and loop filter was optimized to achieve a loop bandwidth of 62 kHz and phase margin of 76°. The loop filter values used were C1 = 220 pF, C2 = 18 nF, R2 = 820 Ω, C3 = 10 pF, R3 = 200 Ω, C4 = 10 pF, and R4 = 200 Ω. The charge pump current was set to 3.2 mA.

9.2.2.4 Other Device Specific Configuration

9.2.2.4.1 Digital Lock Detect

Digital lock time for the PLL will ultimately depend upon the programming of the PLL_DLD_CNT register as discussed in [Digital Lock Detect](#). Since the PLL F_{pd} in this example is 20 MHz, the lock time will = PLL_DLD_CNT / 20 MHz. If PLL_DLD_CNT is set to 10,000, the lock time will be 0.5 ms. The ppm accuracy required to indicate lock will be $(2e6 * 3.7 \text{ ns} * f_{pd}) / \text{PLL_DLD_CNT}$, or 14.8 ppm. Refer to [Digital Lock Detect](#) for more detail on calculating lock times.

9.2.2.5 Device Programming

The CodeLoader software is used to program the LMK03806B evaluation board using the LMK03806B profile. It also allows the exporting of a register map which can be used to program the device to the user's desired configuration. Once a configuration of dividers has been achieved using the Clock Design Tool to meet the requested input/output frequencies with the desired performance, the CodeLoader software needs to be manually updated with this configuration to meet the required application. At this time no automatic import between the two tools exists.

Typical Application (continued)

9.2.3 Application Curves

The following jitter and phase noise data was captured from an LMK03806 evaluation board. F_{VCO} was set to 2500 MHz and F_{pd} was set to 20 MHz. In order to obtain a loop bandwidth of 62 kHz and a phase margin of 76° , the loop filter values used were $C1 = 220$ pF, $C2 = 18$ nF, $R2 = 820$ Ω , $C3 = 10$ pF, $R3 = 200$ Ω , $C4 = 10$ pF, and $R4 = 200$ Ω . The charge pump current was set to 3.2 mA.

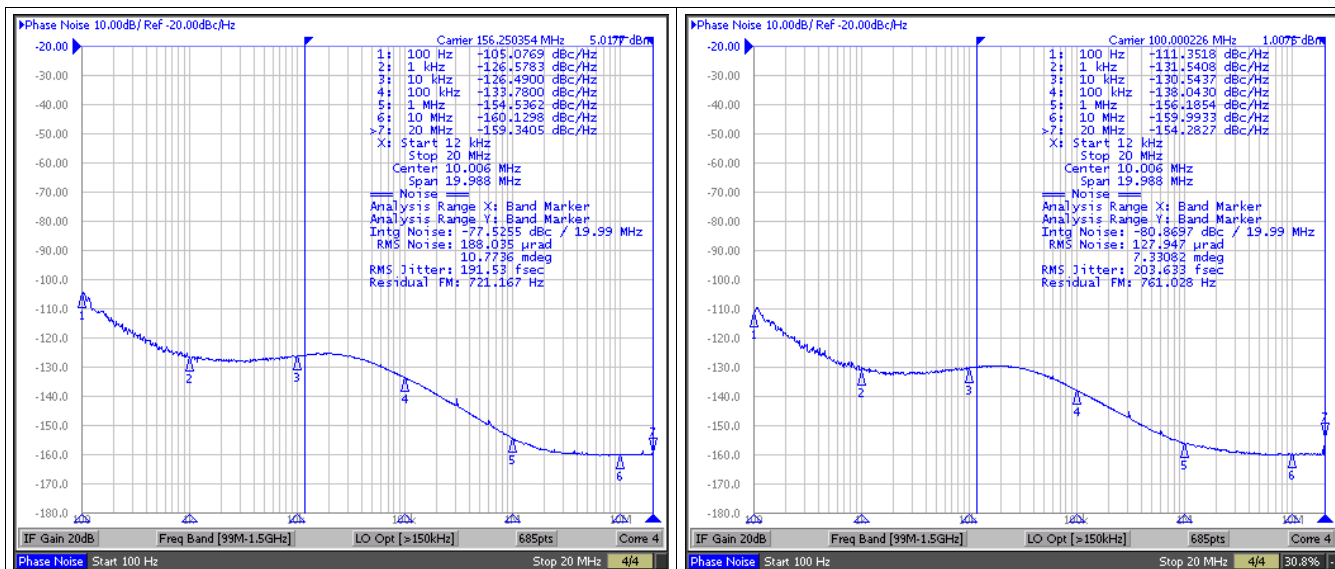


Figure 20. LVPECL Phase Noise, 156.25 MHz

Figure 21. LVDS Phase Noise, 100 MHz

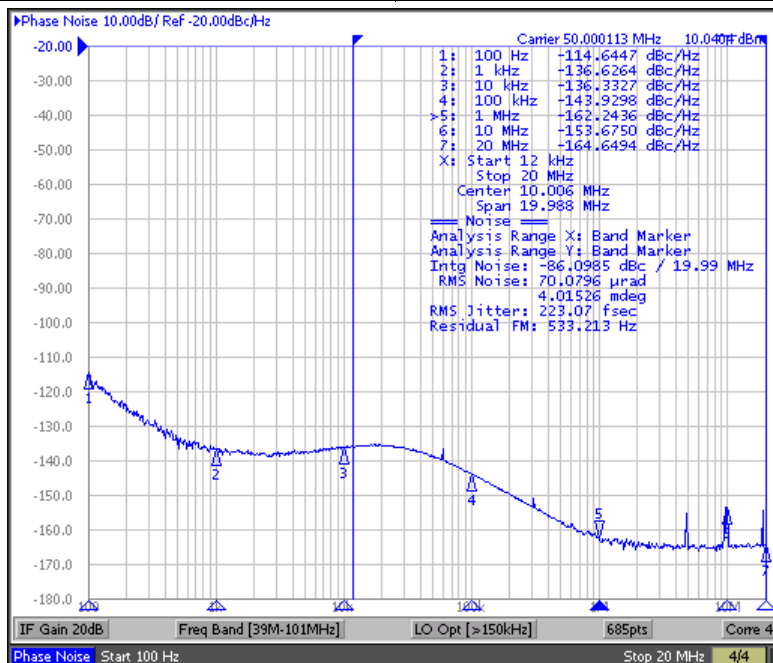


Figure 22. LVC MOS Phase Noise, 50 MHz

Typical Application (continued)

The following PCIe 3.0 phase jitter results were obtained using the Intel Clock Jitter Tool using waveform data captured with an Agilent DSA90804A. The RMS jitter result of 0.107 ps easily meets the PCIe 3.0 jitter requirement of 1ps with significant margin.

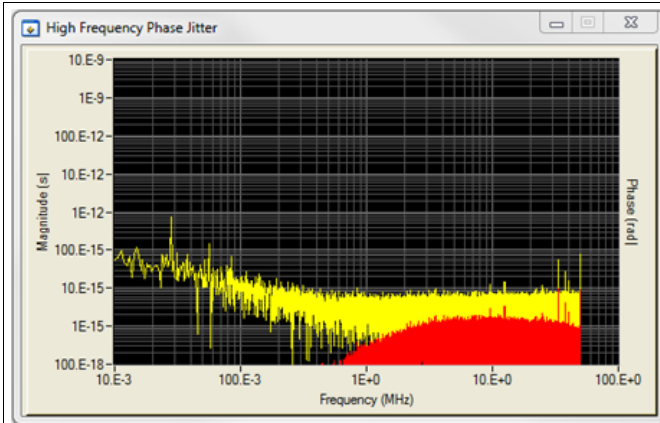


Figure 23. PCIe 3.0 Phase Jitter, 100-MHz HCSL

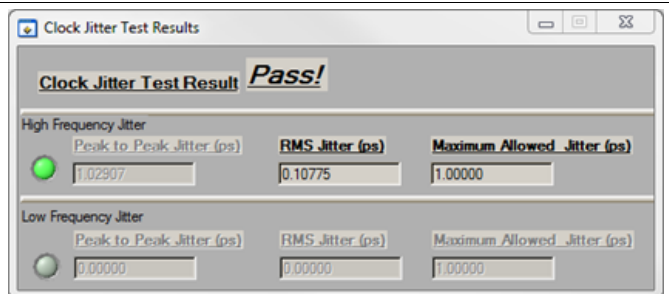


Figure 24. PCIe 3.0 RMS Jitter, 100-MHz HCSL

9.3 System Examples

9.3.1 System Level Diagram

Figure 25 shows a detailed system level diagram of the example above to serve as a guideline for good practices when designing with the LMK03806.

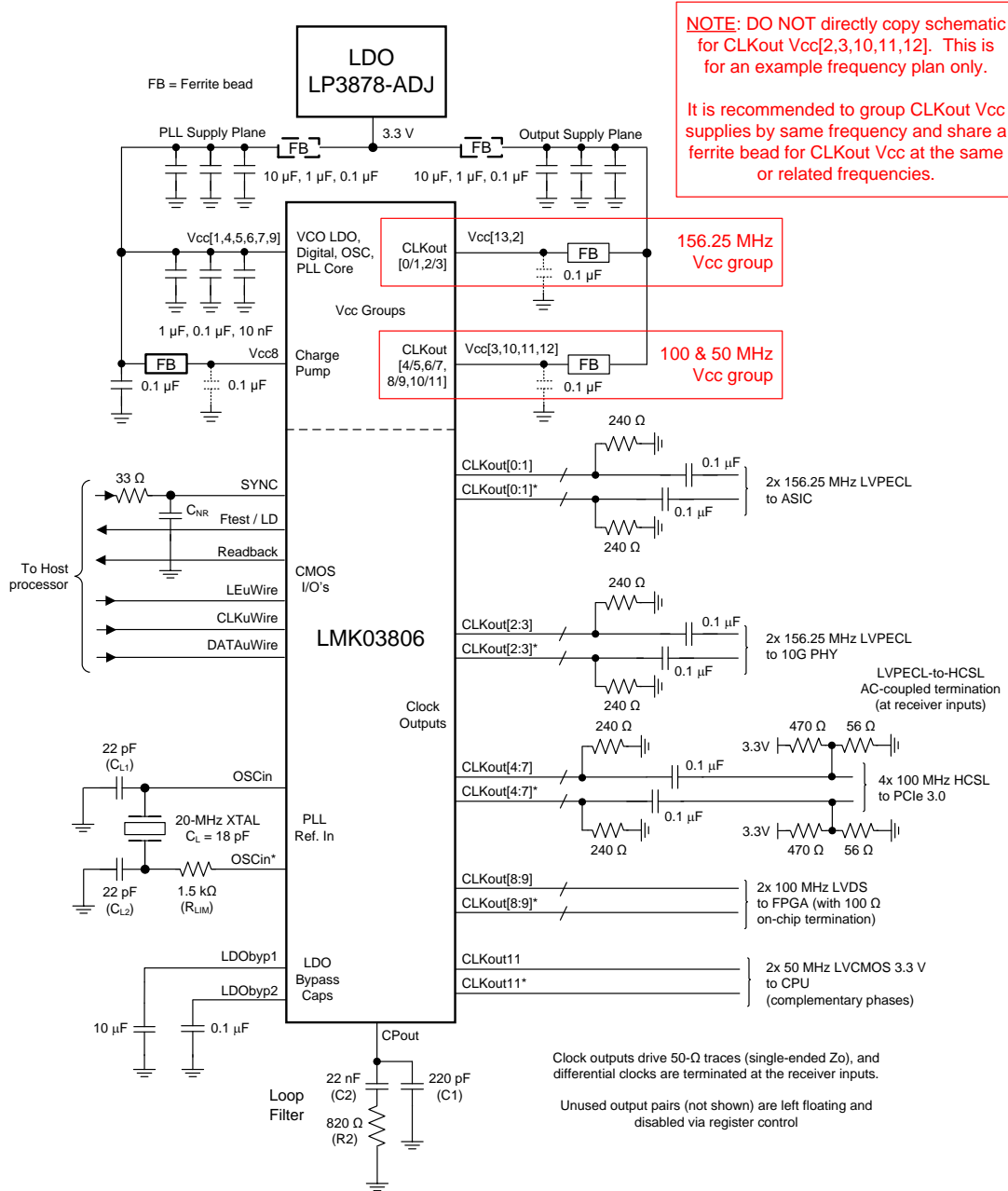


Figure 25. Example Network Line Card Application

9.4 Do's and Don'ts

9.4.1 LVCMOS Complementary vs. Non-Complementary Operation

- TI recommends to use a complementary LVCMOS output format such as LVCMOS (Norm/Inv) to reduce switching noise and crosstalk when using LVCMOS.
- If only a single LVCMOS output is required, the complementary LVCMOS output format can still be used by leaving the unused LVCMOS output floating.
- A non-complimentary format such as LVCMOS (Norm/Norm) is not recommended as increased switching noise is present.

9.4.2 LVPECL Outputs

When using an LVPECL output it is not recommended to place a capacitor to ground on the output as might be done when using a capacitor input LC lowpass filter. The capacitor will appear as a short to the LVPECL output drivers which are able to supply large amounts of switching current. The effect of the LVPECL sourcing large switching currents can result in the following:

1. Large switching currents through the Vcc pin of the LVPECL power supply resulting in more Vcc noise and possible Vcc spikes.
2. Large switching currents injected into the ground plane through the capacitor which could couple onto other Vcc pins with bypass capacitors to ground resulting in more Vcc noise and possible Vcc spikes.

9.4.3 Sharing MICROWIRE (SPI) Lines

When CLKuWire and DATAuWire toggle and an internal VCO mode is used, there may some spurious content on the phase noise plot related to the frequency of the CLKuWire and DATAuWire pins.

9.4.4 SYNC Pin

If the SYNC pin is connected to a host device (for example, FPGA, CPLD, CPU) with noisy I/O power rails, use small series resistor and shunt capacitor (C_{NR}) as shown in [Figure 25](#). An external low-pass filter can prevent noise on the SYNC input from coupling unwanted spurious content to nearby internal analog circuitry.

10 Power Supply Recommendations

10.1 Current Consumption and Power Dissipation Calculations

From [Table 43](#) the current consumption can be calculated for any configuration.

For example, the current for the entire device with 1 LVDS (CLKout0) and 1 LVPECL 1.6 Vpp with 240-Ω emitter resistors (CLKout1) output active with a clock output divide = 1, and no other features enabled can be calculated by adding up the following blocks: core current, base clock distribution, clock output group, clock divider, one LVDS output buffer current, and one LVPECL output buffer current. There will also be one LVPECL output drawing emitter current, which means some of the power from the current draw of the device is dissipated in the external emitter resistors which doesn't add to the thermal power dissipation budget for the device. In addition to emitter resistor power, power dissipated in the load for LVDS/LVPECL do not contribute to the thermal power dissipation budget for the device.

For total current consumption of the device, add up the significant functional blocks. In this example, 212.9 mA =

- 122 mA (core current)
- 17.3 mA (base clock distribution)
- 2.8 mA (CLKout group for 2 outputs)
- 25.5 mA (CLKout0 & 1 divider)
- 14.3 mA (LVDS buffer)
- 31 mA (LVPECL 1.6 Vpp buffer /w 240-Ω emitter resistors)

Current Consumption and Power Dissipation Calculations (continued)

Once total current consumption has been calculated, power dissipated by the device can be calculated. The power dissipation of the device is equation to the total current entering the device multiplied by the voltage at the device minus the power dissipated in any emitter resistors connected to any of the LVPECL outputs or any other external load power dissipation. Continuing the above example which has 212.9 mA total I_{CC} and one output with 240-Ω emitter resistors and one LVDS output. Total IC power = 666 mW = 3.3 V * 212.9 mA - 35 mW - 1.5 mW.

Table 43. Typical Current Consumption for Selected Functional Blocks
(T_A = 25 °C, V_{CC} = 3.3 V)

BLOCK	CONDITION	TYPICAL I _{CC} (mA)	POWER DISSIPATED IN DEVICE (mW) ⁽¹⁾	POWER DISSIPATED EXTERNALLY (mW) ⁽²⁾	
CORE AND FUNCTIONAL BLOCKS					
Core	Internal VCO Locked	122	403	-	
Base Clock Distribution	At least 1 CLKoutX_Y_PD = 0	17.3	57.1	-	
CLKout Group	Each CLKout group (CLKout0/1 & 10/11, CLKout2/3 & 4/5, CLKout 6/7 & 8/9)	2.8	9.2	-	
Clock Divider	Divide < 25	25.5	84.1	-	
	Divide >= 25	29.6	97.7	-	
SYNC Asserted	While SYNC is asserted, this extra current is drawn	1.7	5.6	-	
Crystal Mode	Crystal Oscillator Buffer	1.8	5.9	-	
OScin Doubler	EN_OSCin_2X = 1	2.8	9.2	-	
CLOCK OUTPUT BUFFERS					
LVDS	100-Ω differential termination	14.3	45.7	1.5	
LVPECL ⁽³⁾	LVPECL 2.0 V _{pp} , AC coupled using 240-Ω emitter resistors	32	70.6	35	
	LVPECL 1.6 V _{pp} , AC coupled using 240-Ω emitter resistors	31	67.3	35	
	LVPECL 1.6 V _{pp} , AC coupled using 120-Ω emitter resistors	46	91.8	60	
	LVPECL 1.2 V _{pp} , AC coupled using 240-Ω emitter resistors	30	59	40	
	LVPECL 0.7 V _{pp} , AC coupled using 240-Ω emitter resistors	29	55.7	40	
LVCMOS	LVCMOS Pair (CLKoutX_Y_TYPE = 6 to 10) C _L = 5 pF	3 MHz	24	79.2	-
		30 MHz	26.5	87.5	-
		150 MHz	36.5	120.5	-
	LVCMOS Single (CLKoutX_Y_TYPE = 11 to 13) C _L = 5 pF	3 MHz	15	49.5	-
		30 MHz	16	52.8	-
		150 MHz	21.5	71	-

(1) Assuming θ_{JA} = 15 °C/W, the total power dissipated on chip must be less than (125 °C – 85 °C) / 16 °C/W = 2.5 W to guarantee a junction temperature is less than 125 °C.

(2) Worst case power dissipation can be estimated by multiplying typical power dissipation with a factor of 1.15.

(3) Power is dissipated externally in LVPECL emitter resistors. The externally dissipated power is calculated as twice the DC voltage level of one LVPECL clock output pin squared over the emitter resistance. That is to say power dissipated in emitter resistors = 2 * V_{em}² / R_{em}.

11 Layout

11.1 Layout Guidelines

Power consumption of the LMK03806 can be high enough to require attention to thermal management. For reliability and performance reasons the die temperature should be limited to a maximum of 125°C. That is, as an estimate, T_A (ambient temperature) plus device power consumption times θ_{JA} should not exceed 125°C.

The package of the device has an exposed pad that provides the primary heat removal path as well as excellent electrical grounding to a printed-circuit-board. To maximize the removal of heat from the package a thermal land pattern including multiple vias to a ground plane must be incorporated on the PCB within the footprint of the package. The exposed pad must be soldered down to ensure adequate heat conduction out of the package.

A recommended land and via pattern is shown in [Figure 26](#). More information on soldering WQFN packages and gerber footprints can be obtained: <http://www.ti.com/packaging>.

A recommended footprint including recommended solder mask and solder paste layers can be found at: <http://www.ti.com/packaging> for the NKD0064A package.

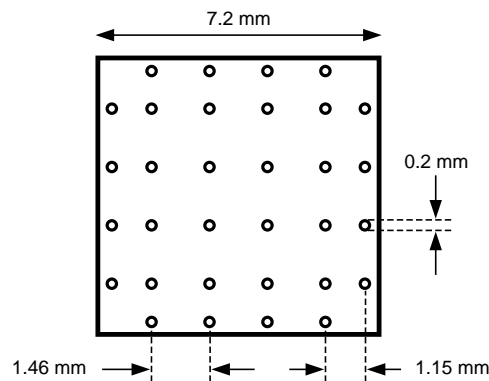


Figure 26. Recommended Land and Via Pattern

To minimize junction temperature, TI recommends that a simple heat sink be built into the PCB (if the ground plane layer is not exposed). This is done by including a copper area of about 2 square inches on the opposite side of the PCB from the device. This copper area may be plated or solder coated to prevent corrosion but should not have conformal coating (if possible), which could provide thermal insulation. The vias shown in [Figure 26](#) should connect these top and bottom copper layers and to the ground layer. These vias act as *heat pipes* to carry the thermal energy away from the device side of the board to where it can be more effectively dissipated.

11.2 Layout Example

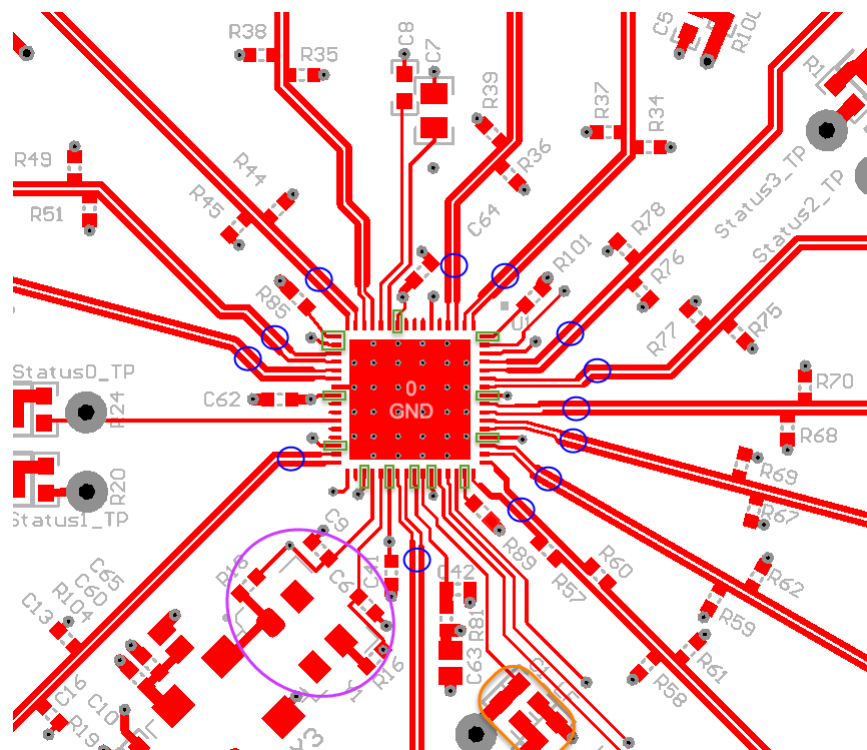


Figure 27. LMK03806 Layout Example

Crystal input to OSCin pins (purple circle):

- Place crystal with associated load capacitors (C6 and C9) as close as possible to the chip, and use short/direct routing to the OSCin pins.
- If possible, cut out both ground plane and power plane under the area where the crystal and the routing to the device are placed. In this area, avoid using vias in the crystal signal path and routing other signals below the crystal paths, as these could be potential areas for noise coupling.

Clock outputs (blue circles):

- Differential signals should be routed tightly coupled to minimize PCB crosstalk. Trace impedance and loading/terminations should be designed according to output type being used (that is, LVDS, LVPECL...).
- Unused output pins should be left open without connection to a trace. Unused outputs should be powered down through registers to reduce power and switching noise.

Power pins (green rectangles):

- Place ferrite beads and bypass caps as close as possible to the Vcc pins as possible. Design a low impedance power distribution network over a wide frequency range using multiple decoupling and bypass caps with different values/sizes. Use ferrite beads to isolate the device supply pins from board noise sources.

Loop filter (orange oval):

- Place loop filter resistor and capacitors nearby the chip, and route loop filter nodes from digital traces or noisy power traces/planes to avoid noise coupling.

12 Device and Documentation Support

12.1 Device Support

12.1.1 Development Support

For additional support, see the following:

- Clock Design Tool: <http://www.ti.com/tool/clockdesigntool>
- Clock Architect: <http://www.ti.com/lsds/ti/analog/webench/clock-architect.page>
- Loop Filter Design: *PLL Performance, Simulation, and Design* (www.ti.com/tool/pll_book)

12.2 Documentation Support

12.2.1 Related Documentation

For additional information, see the following:

- *Common Data Transmission Parameters and their Definitions*, Application Note AN-912 ([SNLA036](#))
- *Crystal Based Oscillator Design with the LMK04000 Family*, Application Note AN-1939 ([SNAA065](#))
- *Frequency Synthesis and Planning for PLL Architectures*, Application Note AN-1865 ([SNAA061](#))

12.3 Related Links

The table below lists quick access links. Categories include technical documents, support and community resources, tools and software, and quick access to sample or buy.

Table 44. Related Links

PARTS	PRODUCT FOLDER	SAMPLE & BUY	TECHNICAL DOCUMENTS	TOOLS & SOFTWARE	SUPPORT & COMMUNITY
LMK03806	Click here	Click here	Click here	Click here	Click here

12.4 Community Resource

The following links connect to TI community resources. Linked contents are provided "AS IS" by the respective contributors. They do not constitute TI specifications and do not necessarily reflect TI's views; see TI's [Terms of Use](#).

TI E2E™ Online Community *TI's Engineer-to-Engineer (E2E) Community*. Created to foster collaboration among engineers. At e2e.ti.com, you can ask questions, share knowledge, explore ideas and help solve problems with fellow engineers.

Design Support *TI's Design Support* Quickly find helpful E2E forums along with design support tools and contact information for technical support.

12.5 Trademarks

E2E is a trademark of Texas Instruments.
All other trademarks are the property of their respective owners.

12.6 Electrostatic Discharge Caution



These devices have limited built-in ESD protection. The leads should be shorted together or the device placed in conductive foam during storage or handling to prevent electrostatic damage to the MOS gates.

12.7 Glossary

SLYZ022 — *TI Glossary*.

This glossary lists and explains terms, acronyms, and definitions.

13 Mechanical, Packaging, and Orderable Information

The following pages include mechanical, packaging, and orderable information. This information is the most current data available for the designated devices. This data is subject to change without notice and revision of this document. For browser-based versions of this data sheet, refer to the left-hand navigation.

PACKAGING INFORMATION

Orderable Device	Status (1)	Package Type	Package Drawing	Pins	Package Qty	Eco Plan (2)	Lead/Ball Finish (6)	MSL Peak Temp (3)	Op Temp (°C)	Device Marking (4/5)	Samples
LMK03806BISQ/NOPB	ACTIVE	WQFN	NKD	64	1000	Green (RoHS & no Sb/Br)	CU SN	Level-3-260C-168 HR	-40 to 85	K03806BISQ	Samples
LMK03806BISQE/NOPB	ACTIVE	WQFN	NKD	64	250	Green (RoHS & no Sb/Br)	CU SN	Level-3-260C-168 HR	-40 to 85	K03806BISQ	Samples
LMK03806BISQX/NOPB	ACTIVE	WQFN	NKD	64	2000	Green (RoHS & no Sb/Br)	CU SN	Level-3-260C-168 HR	-40 to 85	K03806BISQ	Samples

(1) The marketing status values are defined as follows:

ACTIVE: Product device recommended for new designs.

LIFEBUY: TI has announced that the device will be discontinued, and a lifetime-buy period is in effect.

NRND: Not recommended for new designs. Device is in production to support existing customers, but TI does not recommend using this part in a new design.

PREVIEW: Device has been announced but is not in production. Samples may or may not be available.

OBsolete: TI has discontinued the production of the device.

(2) **RoHS:** TI defines "RoHS" to mean semiconductor products that are compliant with the current EU RoHS requirements for all 10 RoHS substances, including the requirement that RoHS substance do not exceed 0.1% by weight in homogeneous materials. Where designed to be soldered at high temperatures, "RoHS" products are suitable for use in specified lead-free processes. TI may reference these types of products as "Pb-Free".

RoHS Exempt: TI defines "RoHS Exempt" to mean products that contain lead but are compliant with EU RoHS pursuant to a specific EU RoHS exemption.

Green: TI defines "Green" to mean the content of Chlorine (Cl) and Bromine (Br) based flame retardants meet JS709B low halogen requirements of <=1000ppm threshold. Antimony trioxide based flame retardants must also meet the <=1000ppm threshold requirement.

(3) MSL, Peak Temp. - The Moisture Sensitivity Level rating according to the JEDEC industry standard classifications, and peak solder temperature.

(4) There may be additional marking, which relates to the logo, the lot trace code information, or the environmental category on the device.

(5) Multiple Device Markings will be inside parentheses. Only one Device Marking contained in parentheses and separated by a "~" will appear on a device. If a line is indented then it is a continuation of the previous line and the two combined represent the entire Device Marking for that device.

(6) Lead/Ball Finish - Orderable Devices may have multiple material finish options. Finish options are separated by a vertical ruled line. Lead/Ball Finish values may wrap to two lines if the finish value exceeds the maximum column width.

Important Information and Disclaimer: The information provided on this page represents TI's knowledge and belief as of the date that it is provided. TI bases its knowledge and belief on information provided by third parties, and makes no representation or warranty as to the accuracy of such information. Efforts are underway to better integrate information from third parties. TI has taken and continues to take reasonable steps to provide representative and accurate information but may not have conducted destructive testing or chemical analysis on incoming materials and chemicals. TI and TI suppliers consider certain information to be proprietary, and thus CAS numbers and other limited information may not be available for release.

In no event shall TI's liability arising out of such information exceed the total purchase price of the TI part(s) at issue in this document sold by TI to Customer on an annual basis.

TAPE AND REEL INFORMATION

QUADRANT ASSIGNMENTS FOR PIN 1 ORIENTATION IN TAPE


*All dimensions are nominal

Device	Package Type	Package Drawing	Pins	SPQ	Reel Diameter (mm)	Reel Width W1 (mm)	A0 (mm)	B0 (mm)	K0 (mm)	P1 (mm)	W (mm)	Pin1 Quadrant
LMK03806BISQ/NOPB	WQFN	NKD	64	1000	330.0	16.4	9.3	9.3	1.3	12.0	16.0	Q1
LMK03806BISQE/NOPB	WQFN	NKD	64	250	178.0	16.4	9.3	9.3	1.3	12.0	16.0	Q1
LMK03806BISQX/NOPB	WQFN	NKD	64	2000	330.0	16.4	9.3	9.3	1.3	12.0	16.0	Q1

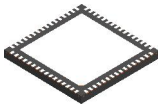
TAPE AND REEL BOX DIMENSIONS


*All dimensions are nominal

Device	Package Type	Package Drawing	Pins	SPQ	Length (mm)	Width (mm)	Height (mm)
LMK03806BISQ/NOPB	WQFN	NKD	64	1000	367.0	367.0	38.0
LMK03806BISQE/NOPB	WQFN	NKD	64	250	210.0	185.0	35.0
LMK03806BISQX/NOPB	WQFN	NKD	64	2000	367.0	367.0	38.0

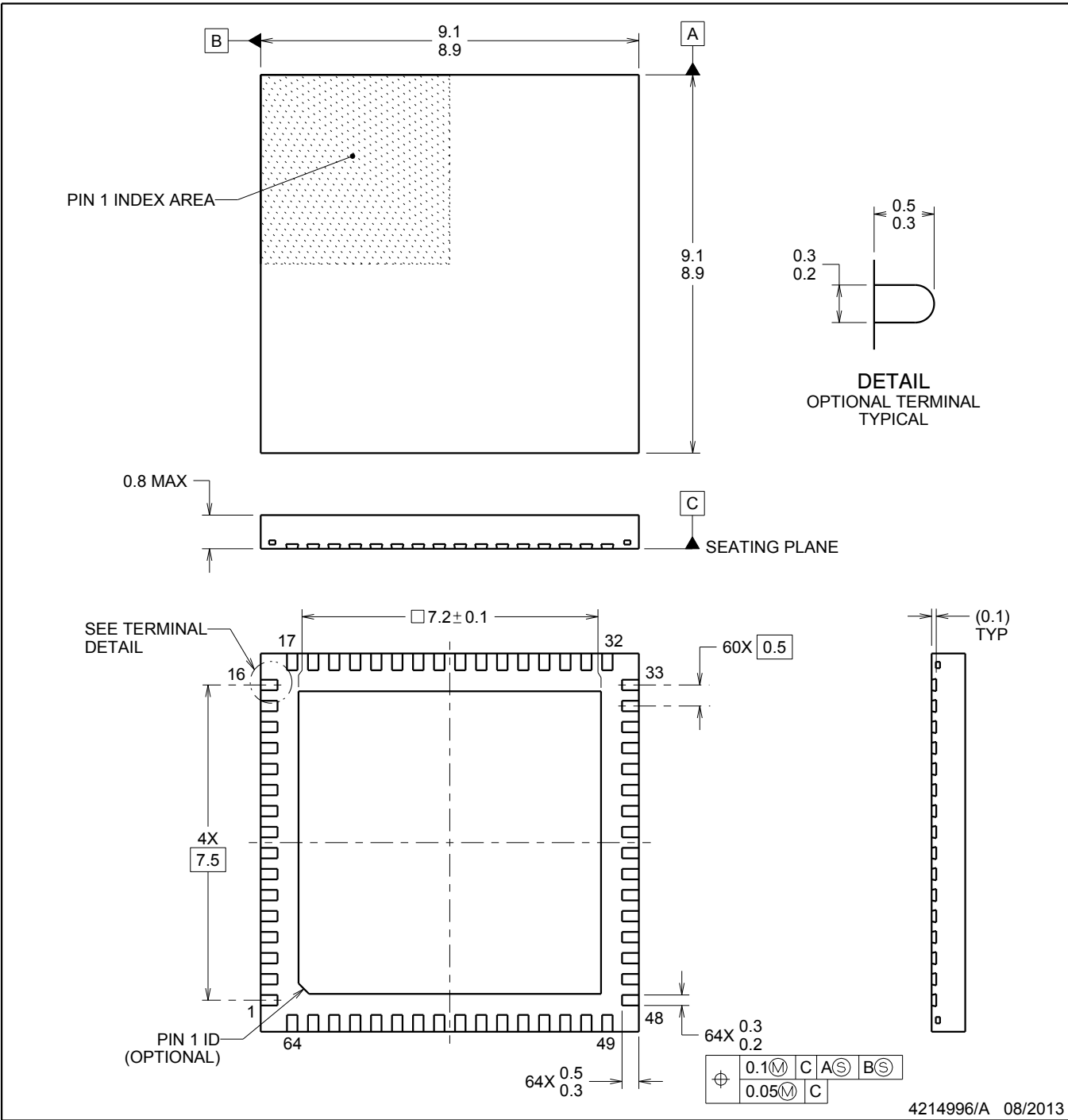
PACKAGE OUTLINE

NKD0064A



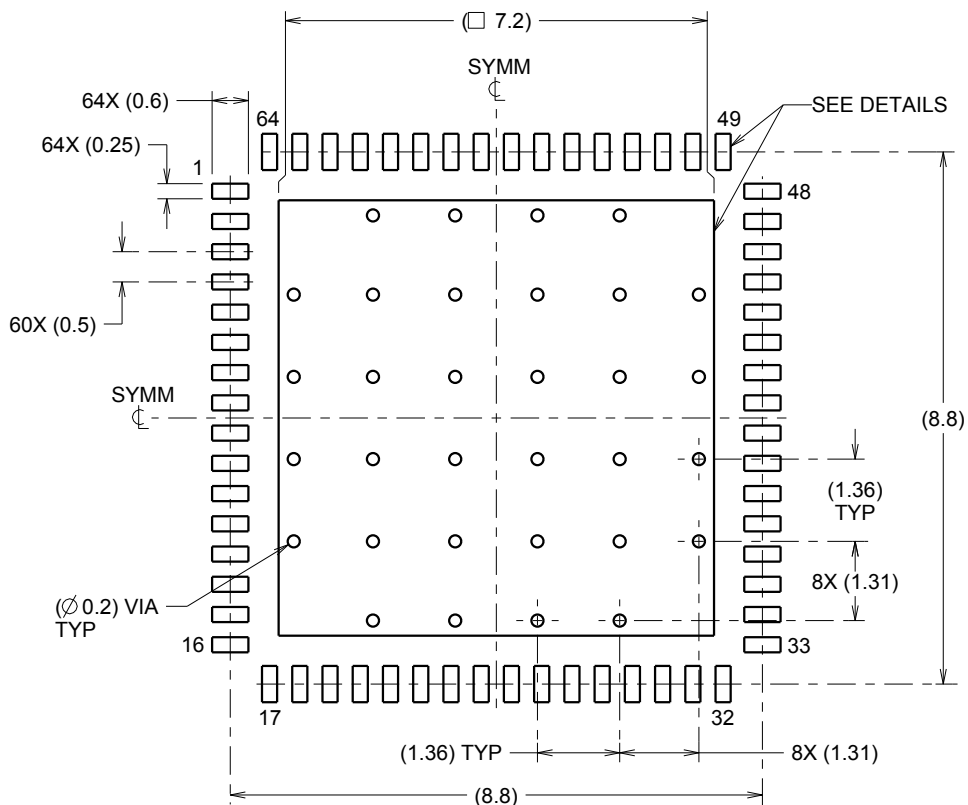
WQFN - 0.8 mm max height

WQFN

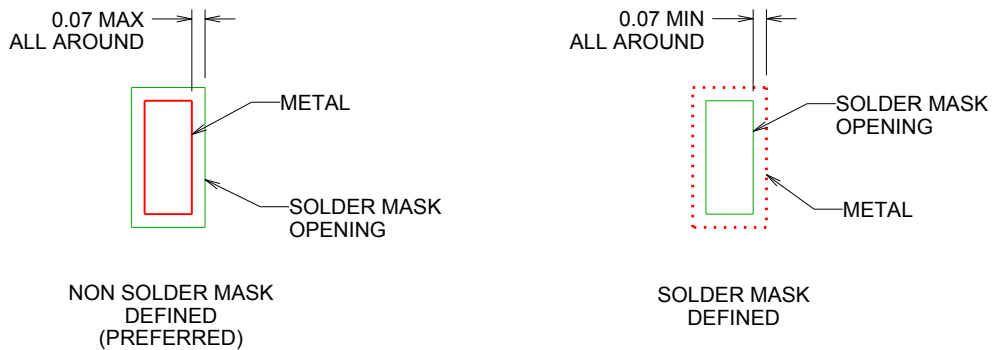


NOTES:

1. All linear dimensions are in millimeters. Dimensions in parenthesis are for reference only. Dimensioning and tolerancing per ASME Y14.5M.
2. This drawing is subject to change without notice.
3. The package thermal pad must be soldered to the printed circuit board for thermal and mechanical performance.



LAND PATTERN EXAMPLE
SCALE:8X

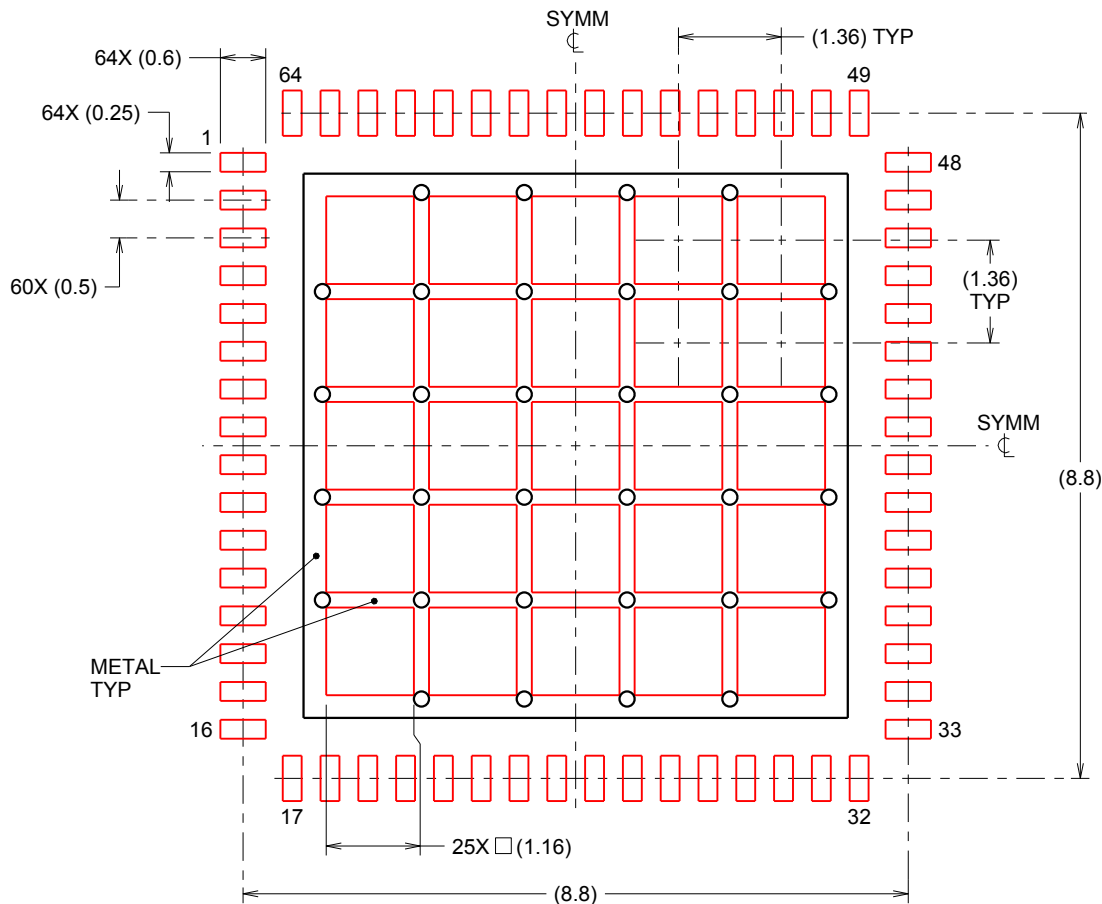


SOLDER MASK DETAILS

4214996/A 08/2013

NOTES: (continued)

4. This package is designed to be soldered to a thermal pad on the board. For more information, refer to QFN/SON PCB application note in literature No. SLUA271 (www.ti.com/lit/slua271).



SOLDERPASTE EXAMPLE
 BASED ON 0.125mm THICK STENCIL
 EXPOSED PAD
 65% PRINTED SOLDER COVERAGE BY AREA
 SCALE:10X

4214996/A 08/2013

NOTES: (continued)

5. Laser cutting apertures with trapezoidal walls and rounded corners may offer better paste release. IPC-7525 may have alternate design recommendations.

IMPORTANT NOTICE AND DISCLAIMER

TI PROVIDES TECHNICAL AND RELIABILITY DATA (INCLUDING DATASHEETS), DESIGN RESOURCES (INCLUDING REFERENCE DESIGNS), APPLICATION OR OTHER DESIGN ADVICE, WEB TOOLS, SAFETY INFORMATION, AND OTHER RESOURCES "AS IS" AND WITH ALL FAULTS, AND DISCLAIMS ALL WARRANTIES, EXPRESS AND IMPLIED, INCLUDING WITHOUT LIMITATION ANY IMPLIED WARRANTIES OF MERCHANTABILITY, FITNESS FOR A PARTICULAR PURPOSE OR NON-INFRINGEMENT OF THIRD PARTY INTELLECTUAL PROPERTY RIGHTS.

These resources are intended for skilled developers designing with TI products. You are solely responsible for (1) selecting the appropriate TI products for your application, (2) designing, validating and testing your application, and (3) ensuring your application meets applicable standards, and any other safety, security, or other requirements. These resources are subject to change without notice. TI grants you permission to use these resources only for development of an application that uses the TI products described in the resource. Other reproduction and display of these resources is prohibited. No license is granted to any other TI intellectual property right or to any third party intellectual property right. TI disclaims responsibility for, and you will fully indemnify TI and its representatives against, any claims, damages, costs, losses, and liabilities arising out of your use of these resources.

TI's products are provided subject to TI's Terms of Sale (www.ti.com/legal/termsofsale.html) or other applicable terms available either on ti.com or provided in conjunction with such TI products. TI's provision of these resources does not expand or otherwise alter TI's applicable warranties or warranty disclaimers for TI products.

Mailing Address: Texas Instruments, Post Office Box 655303, Dallas, Texas 75265
Copyright © 2018, Texas Instruments Incorporated