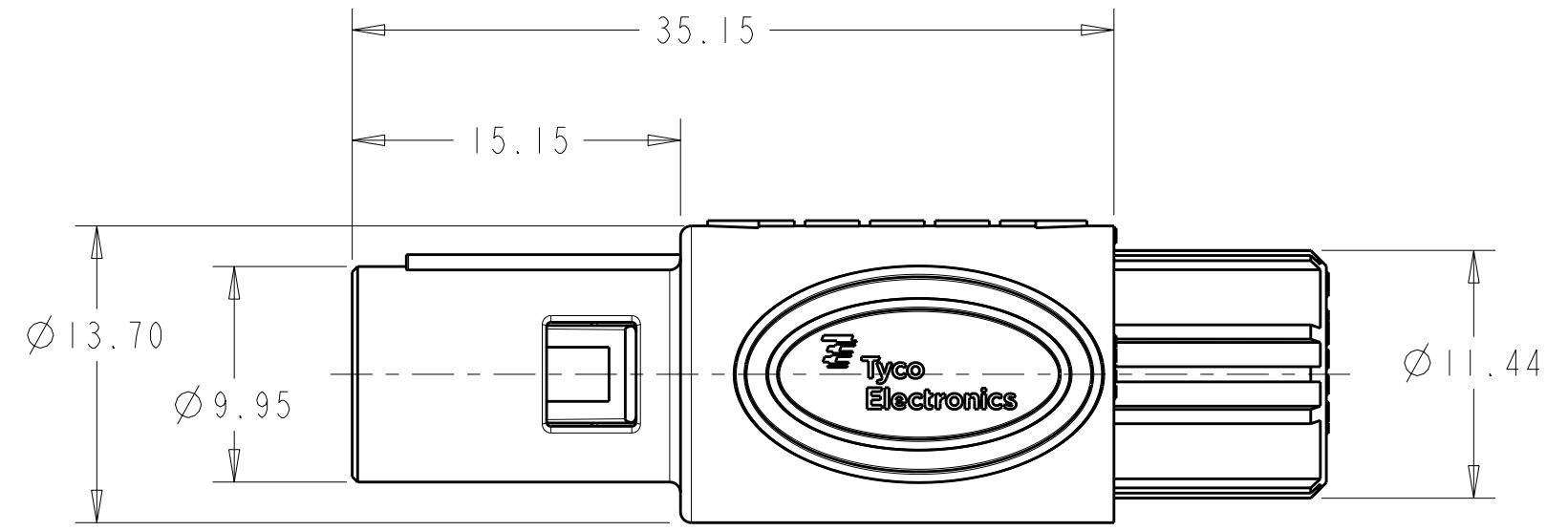
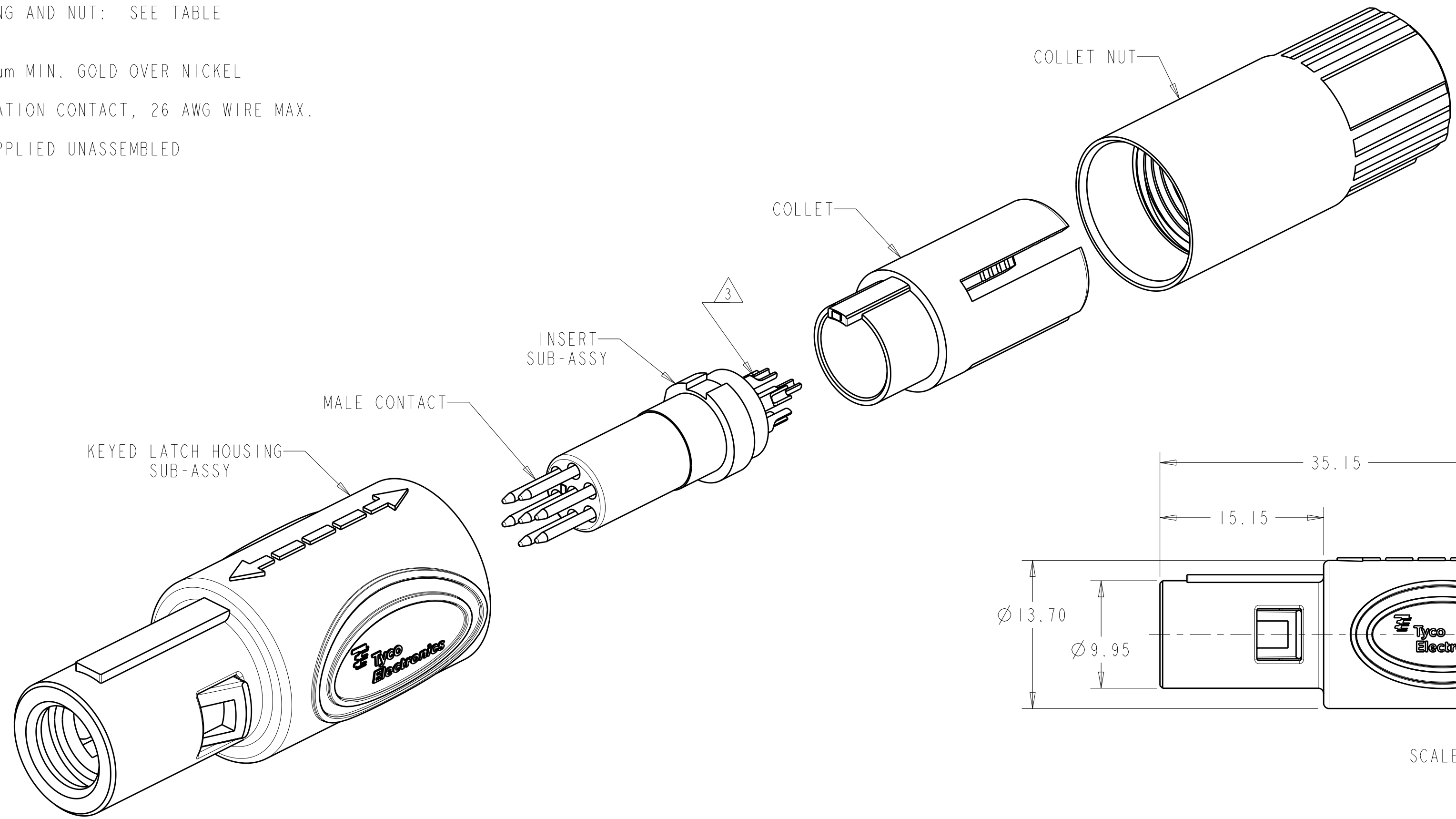


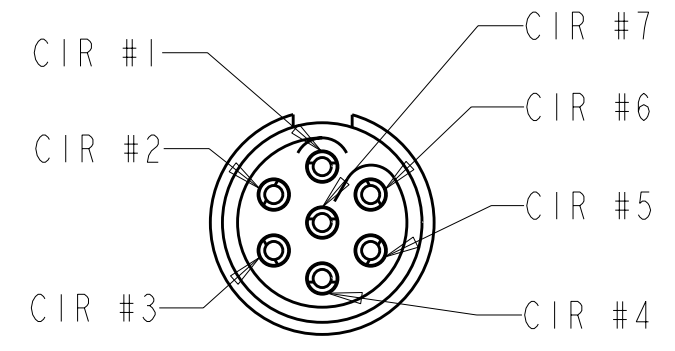
THIS DRAWING IS UNPUBLISHED. RELEASED FOR PUBLICATION 20
 © COPYRIGHT 20 BY - ALL RIGHTS RESERVED.

LOC	DIST	REVISIONS			
P	LTR	DESCRIPTION	DATE	DWN	APVD
AD	00	B3	REVISED PER ECO-11-005027	12MAR2011	RK HMR

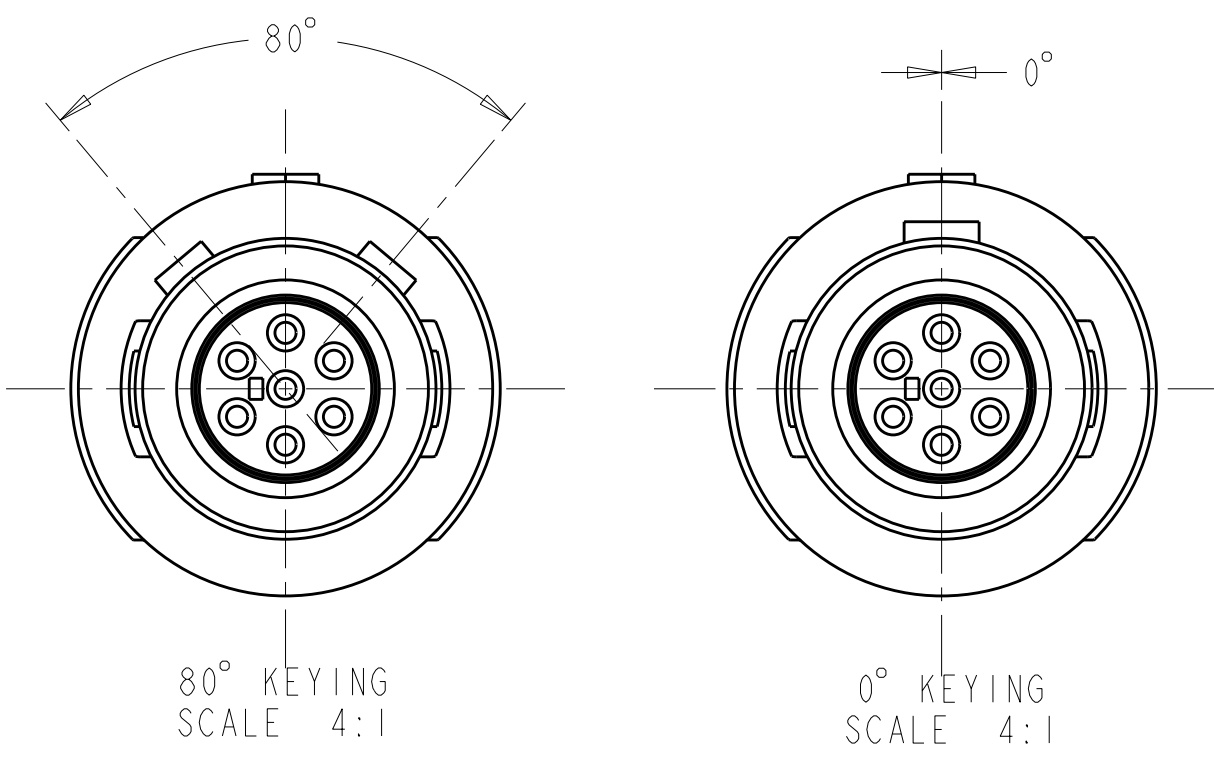
- 1 MATERIAL:
 CONTACT: BRASS
 LATCH HOUSING, INSERT, COLLET NUT:
 UL 94V-0 RATED THERMOPLASTIC
 COLOR:
 COLLET AND INSERT: GRAY
 LATCH HOUSING AND NUT: SEE TABLE
- 2 FINISH:
 CONTACT, 0.75µm MIN. GOLD OVER NICKEL
- 3 SOLDER TERMINATION CONTACT, 26 AWG WIRE MAX.
- 4. PRODUCT IS SUPPLIED UNASSEMBLED



SCALE 3:1



INSERT SUB-ASSY
 CIRCUIT DESIGNATION VIEW



80° KEYING
 SCALE 4:1

0° KEYING
 SCALE 4:1

SEE SHEET 2 FOR
 PART NUMBER SELECTION

PART NO.


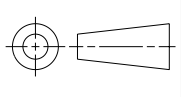
THIS DRAWING IS A CONTROLLED DOCUMENT.		DWN K. MILLER 09MAR2006	TE Connectivity	
		CHK L. BREKOSKY 09MAR2006		
DIMENSIONS: mm		TOLERANCES UNLESS OTHERWISE SPECIFIED:		NAME
		0 PLC ± 1 PLC ±0.13 2 PLC ±0.08 3 PLC ± 4 PLC ± ANGLES ±° FINISH		7 POSITION, CABLE COLLET STRAIGHT PLUG ASSEMBLY 0 AND 80 DEGREE KEYING
MATERIAL		PRODUCT SPEC		SIZE
1		108-2249		A2
		APPLICATION SPEC		CAGE CODE
		114-13184		00779
		WEIGHT		DRAWING NO
		-		C-1877847
		CUSTOMER DRAWING		RESTRICTED TO
		SCALE 4:1		-
		SHEET 1 OF 3		REV B3

THIS DRAWING IS UNPUBLISHED. RELEASED FOR PUBLICATION 20
 © COPYRIGHT 20 BY ALL RIGHTS RESERVED.

LOC	DIST	REVISIONS					
AD	00	P	LTR	DESCRIPTION	DATE	DWN	APVD
		-		SEE SHEET 1			

∅ 2.7-∅ 3.9	BLUE	GRAY	80°	7-1877847-2
∅ 4.0-∅ 5.2	BLUE	GRAY	80°	7-1877847-1
∅ 5.3-∅ 6.5	BLUE	GRAY	80°	7-1877847-0
∅ 2.7-∅ 3.9	BLUE	GRAY	0°	6-1877847-9
∅ 4.0-∅ 5.2	BLUE	GRAY	0°	6-1877847-8
∅ 5.3-∅ 6.5	BLUE	GRAY	0°	6-1877847-7
∅ 2.7-∅ 3.9	BLUE	BLACK	80°	6-1877847-6
∅ 4.0-∅ 5.2	BLUE	BLACK	80°	6-1877847-5
∅ 5.3-∅ 6.5	BLUE	BLACK	80°	6-1877847-4
∅ 2.7-∅ 3.9	BLUE	BLACK	0°	6-1877847-3
∅ 4.0-∅ 5.2	BLUE	BLACK	0°	6-1877847-2
∅ 5.3-∅ 6.5	BLUE	BLACK	0°	6-1877847-1
∅ 2.7-∅ 3.9	GREEN	GRAY	80°	6-1877847-0
∅ 4.0-∅ 5.2	GREEN	GRAY	80°	5-1877847-9
∅ 5.3-∅ 6.5	GREEN	GRAY	80°	5-1877847-8
∅ 2.7-∅ 3.9	GREEN	GRAY	0°	5-1877847-7
∅ 4.0-∅ 5.2	GREEN	GRAY	0°	5-1877847-6
∅ 5.3-∅ 6.5	GREEN	GRAY	0°	5-1877847-5
∅ 2.7-∅ 3.9	GREEN	BLACK	80°	5-1877847-4
∅ 4.0-∅ 5.2	GREEN	BLACK	80°	5-1877847-3
∅ 5.3-∅ 6.5	GREEN	BLACK	80°	5-1877847-2
∅ 2.7-∅ 3.9	GREEN	BLACK	0°	5-1877847-1
∅ 4.0-∅ 5.2	GREEN	BLACK	0°	5-1877847-0
∅ 5.3-∅ 6.5	GREEN	BLACK	0°	4-1877847-9
∅ 2.7-∅ 3.9	YELLOW	GRAY	80°	4-1877847-8
∅ 4.0-∅ 5.2	YELLOW	GRAY	80°	4-1877847-7
∅ 5.3-∅ 6.5	YELLOW	GRAY	80°	4-1877847-6
∅ 2.7-∅ 3.9	YELLOW	GRAY	0°	4-1877847-5
∅ 4.0-∅ 5.2	YELLOW	GRAY	0°	4-1877847-4
∅ 5.3-∅ 6.5	YELLOW	GRAY	0°	4-1877847-3
∅ 2.7-∅ 3.9	YELLOW	BLACK	80°	4-1877847-2
∅ 4.0-∅ 5.2	YELLOW	BLACK	80°	4-1877847-1
∅ 5.3-∅ 6.5	YELLOW	BLACK	80°	4-1877847-0
∅ 2.7-∅ 3.9	YELLOW	BLACK	0°	3-1877847-9
∅ 4.0-∅ 5.2	YELLOW	BLACK	0°	3-1877847-8
∅ 5.3-∅ 6.5	YELLOW	BLACK	0°	3-1877847-7
CABLE RANGE	COLLET NUT COLOR	LATCH HOUSING COLOR	KEYING	PART NO.
PART NUMBERS 37 THRU 72				

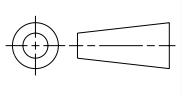
∅ 2.7-∅ 3.9	WHITE	GRAY	80°	3-1877847-6
∅ 4.0-∅ 5.2	WHITE	GRAY	80°	3-1877847-5
∅ 5.3-∅ 6.5	WHITE	GRAY	80°	3-1877847-4
∅ 2.7-∅ 3.9	WHITE	GRAY	0°	3-1877847-3
∅ 4.0-∅ 5.2	WHITE	GRAY	0°	3-1877847-2
∅ 5.3-∅ 6.5	WHITE	GRAY	0°	3-1877847-1
∅ 2.7-∅ 3.9	WHITE	BLACK	80°	3-1877847-0
∅ 4.0-∅ 5.2	WHITE	BLACK	80°	2-1877847-9
∅ 5.3-∅ 6.5	WHITE	BLACK	80°	2-1877847-8
∅ 2.7-∅ 3.9	WHITE	BLACK	0°	2-1877847-7
∅ 4.0-∅ 5.2	WHITE	BLACK	0°	2-1877847-6
∅ 5.3-∅ 6.5	WHITE	BLACK	0°	2-1877847-5
∅ 2.7-∅ 3.9	RED	GRAY	80°	2-1877847-4
∅ 4.0-∅ 5.2	RED	GRAY	80°	2-1877847-3
∅ 5.3-∅ 6.5	RED	GRAY	80°	2-1877847-2
∅ 2.7-∅ 3.9	RED	GRAY	0°	2-1877847-1
∅ 4.0-∅ 5.2	RED	GRAY	0°	2-1877847-0
∅ 5.3-∅ 6.5	RED	GRAY	0°	1-1877847-9
∅ 2.7-∅ 3.9	RED	BLACK	80°	1-1877847-8
∅ 4.0-∅ 5.2	RED	BLACK	80°	1-1877847-7
∅ 5.3-∅ 6.5	RED	BLACK	80°	1-1877847-6
∅ 2.7-∅ 3.9	RED	BLACK	0°	1-1877847-5
∅ 4.0-∅ 5.2	RED	BLACK	0°	1-1877847-4
∅ 5.3-∅ 6.5	RED	BLACK	0°	1-1877847-3
∅ 2.7-∅ 3.9	GRAY	GRAY	80°	1-1877847-2
∅ 4.0-∅ 5.2	GRAY	GRAY	80°	1-1877847-1
∅ 5.3-∅ 6.5	GRAY	GRAY	80°	1-1877847-0
∅ 2.7-∅ 3.9	GRAY	GRAY	0°	1877847-9
∅ 4.0-∅ 5.2	GRAY	GRAY	0°	1877847-8
∅ 5.3-∅ 6.5	GRAY	GRAY	0°	1877847-7
∅ 2.7-∅ 3.9	BLACK	BLACK	80°	1877847-6
∅ 4.0-∅ 5.2	BLACK	BLACK	80°	1877847-5
∅ 5.3-∅ 6.5	BLACK	BLACK	80°	1877847-4
∅ 2.7-∅ 3.9	BLACK	BLACK	0°	1877847-3
∅ 4.0-∅ 5.2	BLACK	BLACK	0°	1877847-2
∅ 5.3-∅ 6.5	BLACK	BLACK	0°	1877847-1
CABLE RANGE	COLLET NUT COLOR	LATCH HOUSING COLOR	KEYING	PART NO.
PART NUMBERS 1 THRU 36				

THIS DRAWING IS A CONTROLLED DOCUMENT.		DWN K. MILLER 09MAR2006	 TE Connectivity	
		CHK L. BREKOSKY 09MAR2006		
DIMENSIONS: mm		TOLERANCES UNLESS OTHERWISE SPECIFIED: 0 PLC ± 1 PLC ±0.13 2 PLC ±0.08 3 PLC ± 4 PLC ± ANGLES ±° FINISH		NAME 7 POSITION, CABLE COLLET STRAIGHT PLUG ASSEMBLY 0 AND 80 DEGREE KEYING
		PRODUCT SPEC 108-2249 APPLICATION SPEC 114-13184	SIZE A2	CAGE CODE 00779
MATERIAL -		WEIGHT -	DRAWING NO 1877847	RESTRICTED TO -
CUSTOMER DRAWING			SCALE 4:1	SHEET 2 OF 3 REV B3

THIS DRAWING IS UNPUBLISHED. RELEASED FOR PUBLICATION 20
 © COPYRIGHT 20 BY - ALL RIGHTS RESERVED.

LOC	DIST	REVISIONS					
		P	LTR	DESCRIPTION	DATE	DWN	APVD
AD	00	-		SEE SHEET 1	-	-	-

∅ 2.7-∅ 3.9	BLACK	GRAY	80°	8-1877847-4
∅ 4.0-∅ 5.2	BLACK	GRAY	80°	8-1877847-3
∅ 5.3-∅ 6.5	BLACK	GRAY	80°	8-1877847-2
∅ 2.7-∅ 3.9	BLACK	GRAY	0°	8-1877847-1
∅ 4.0-∅ 5.2	BLACK	GRAY	0°	8-1877847-0
∅ 5.3-∅ 6.5	BLACK	GRAY	0°	7-1877847-9
∅ 2.7-∅ 3.9	GRAY	BLACK	80°	7-1877847-8
∅ 4.0-∅ 5.2	GRAY	BLACK	80°	7-1877847-7
∅ 5.3-∅ 6.5	GRAY	BLACK	80°	7-1877847-6
∅ 2.7-∅ 3.9	GRAY	BLACK	0°	7-1877847-5
∅ 4.0-∅ 5.2	GRAY	BLACK	0°	7-1877847-4
∅ 5.3-∅ 6.5	GRAY	BLACK	0°	7-1877847-3
CABLE RANGE	COLLET NUT COLOR	LATCH HOUSING COLOR	KEYING	PART NO.
PART NUMBERS 73 THRU 84				

THIS DRAWING IS A CONTROLLED DOCUMENT.		DWN K. MILLER 09MAR2006	STE TE Connectivity	
		CHK L. BREKOSKY 09MAR2006		
DIMENSIONS: mm	TOLERANCES UNLESS OTHERWISE SPECIFIED:	APVD -	NAME 7 POSITION, CABLE COLLET STRAIGHT PLUG ASSEMBLY 0 AND 80 DEGREE KEYING	
	0 PLC ±- 1 PLC ±0.13 2 PLC ±0.08 3 PLC ±- 4 PLC ±- ANGLES ±° FINISH	PRODUCT SPEC 108-2249	SIZE CAGE CODE DRAWING NO A2 00779 C-1877847	
MATERIAL		APPLICATION SPEC 114-13184	RESTRICTED TO -	
		WEIGHT -	SCALE 4:1 SHEET 3 OF 3 REV B.3	
CUSTOMER DRAWING				

Mouser Electronics

Authorized Distributor

Click to View Pricing, Inventory, Delivery & Lifecycle Information:

[TE Connectivity:](#)

[4-1877847-9](#)