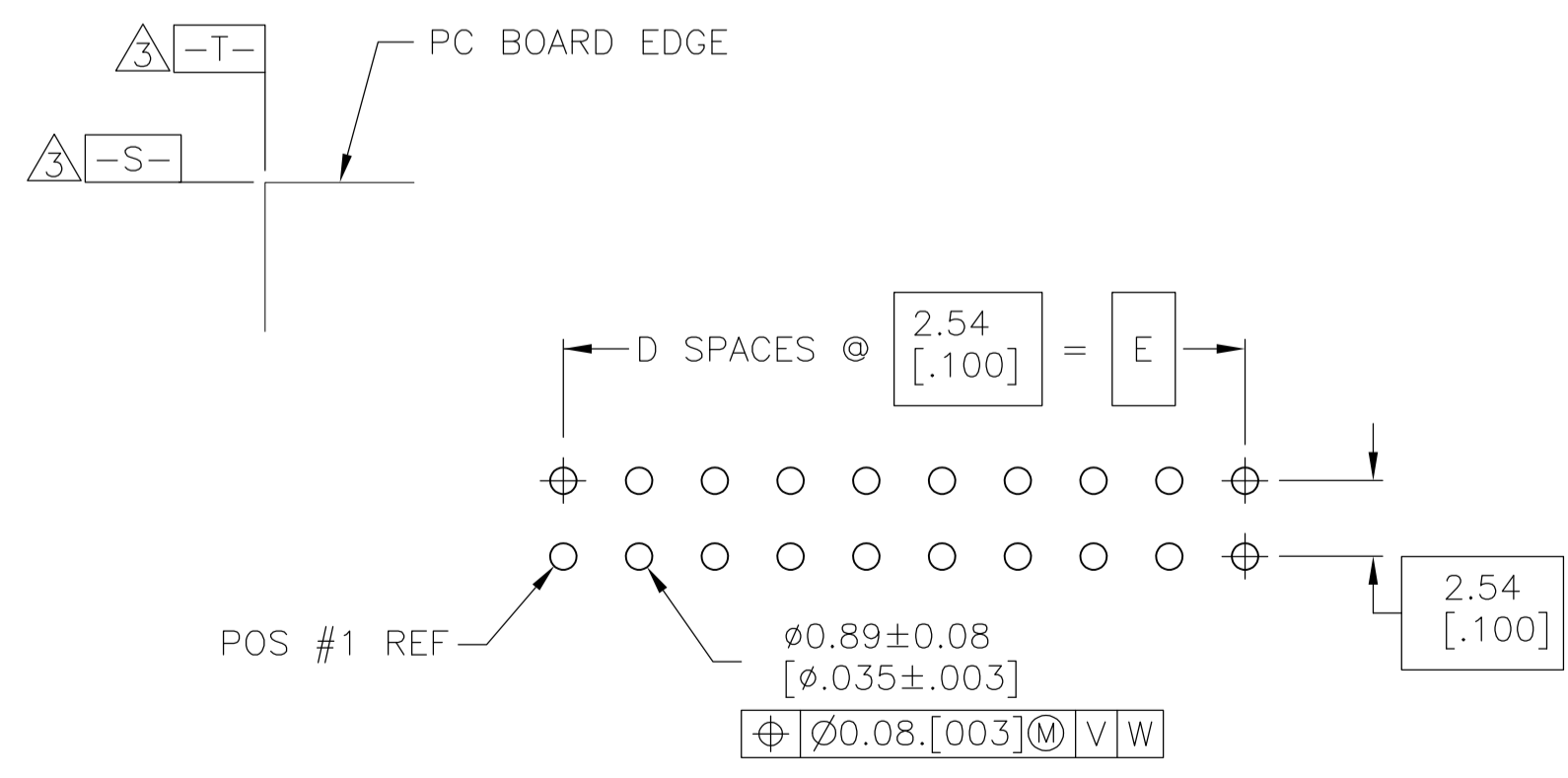
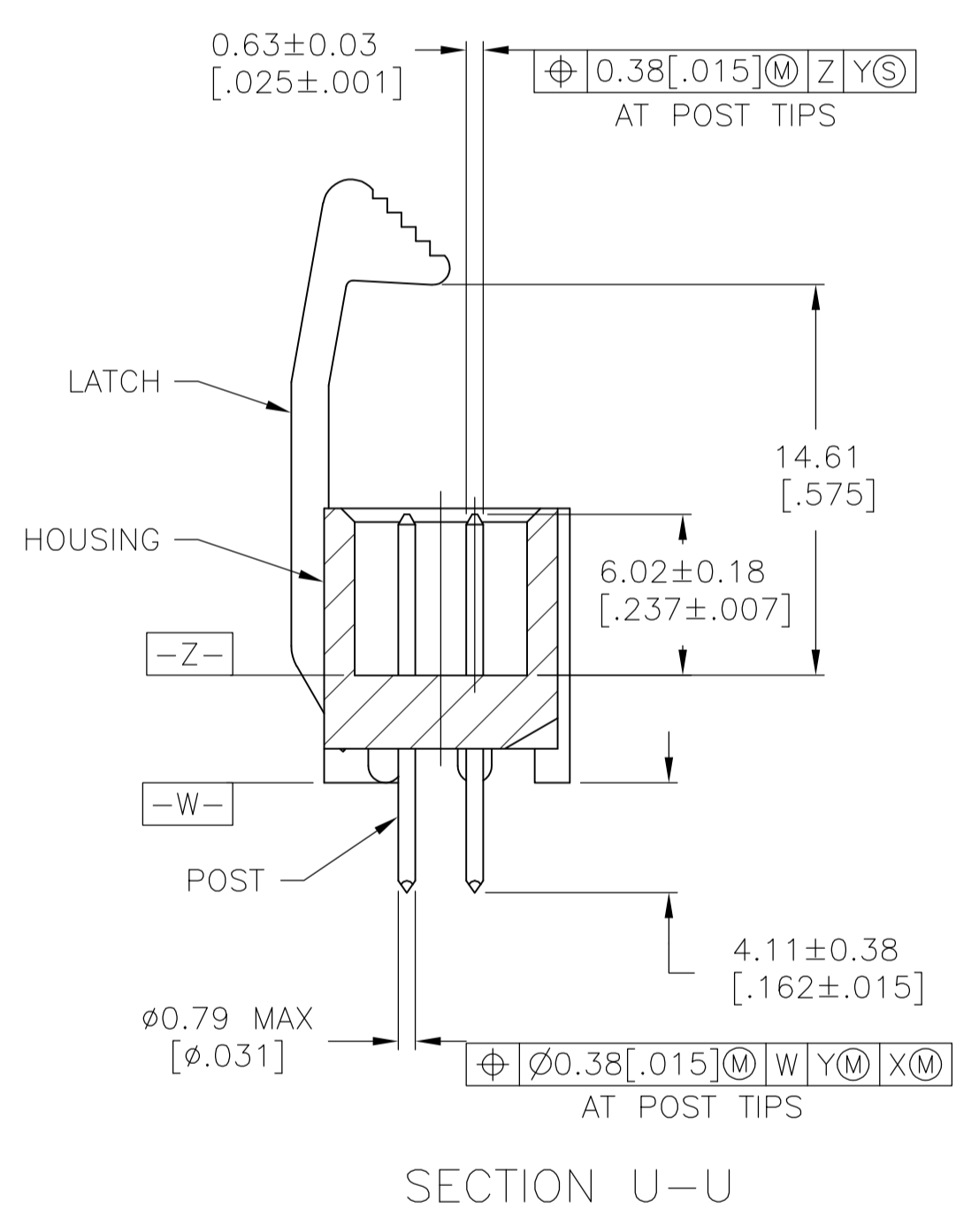
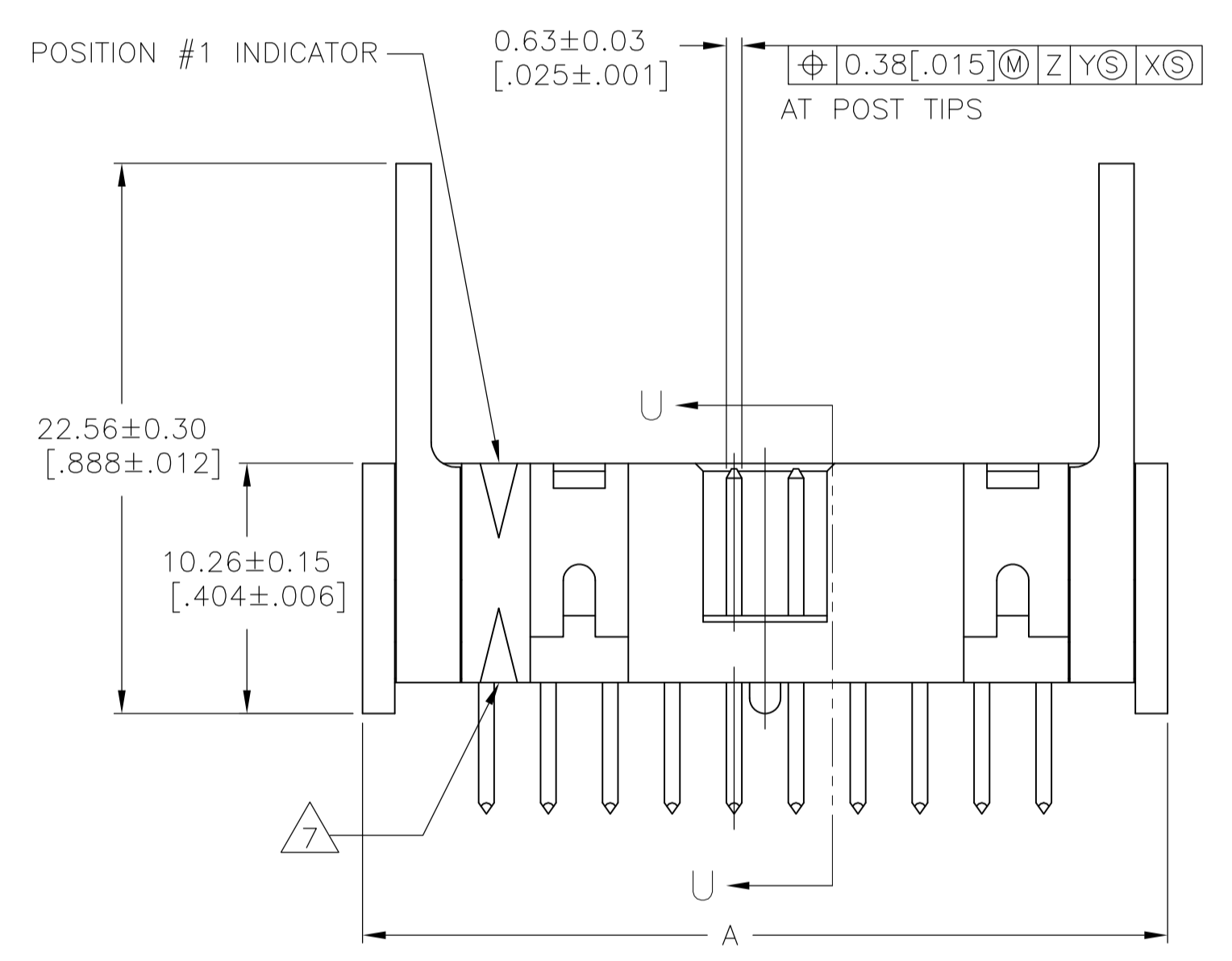


- ① HOUSING: PBT, UL94V-0, COLOR: BLUE.  
POSTS: PHOSPHOR BRONZE.  
LATCHES: ZINC ALLOY.
- ② POSTS: GOLD FLASH OVER PALLADIUM-NICKEL PLATE, 0.76 $\mu\text{m}$  [.000030] MIN TOTAL ON MATING AREA, 2.54 $\mu\text{m}$  [.000100] MIN TIN PLATE ON SOLDER-TAIL, ALL OVER 1.27 $\mu\text{m}$  [.000050] MIN NICKEL UNDERPLATE ON ENTIRE POST.  
OR  
0.76 $\mu\text{m}$  [.000030] MIN GOLD PLATE ON MATING AREA, 2.54 $\mu\text{m}$  [.000100] MIN TIN PLATE ON THE SOLDER-TAIL, 1.27 $\mu\text{m}$  [.000050] MIN NICKEL UNDERPLATE ON THE ENTIRE POST.  
LATCHES: BLACK NICKEL OVER COPPER.
- ③ DATUMS S & T TO BE ESTABLISHED BY CUSTOMER.
- ④ NO KEYING SLOT ON THIS END FOR 6, 10, 12 & 14 POSITION ASSEMBLIES.
- ⑤ NO KEYING SLOT ON THIS END FOR 6 & 10 POSITION ASSEMBLIES.
- ⑥ NO STANDOFF FOR 6, 10, 12, 14 & 16 POSITION ASSEMBLIES.
- ⑦ ALTERNATE LOCATION/ORIENTAION FOR POSITION #1 INDICATOR.



RECOMMENDED PC BOARD LAYOUT (VIEWED FROM CONNECTOR SIDE)

|          | 73.66<br>[2.900] | 29 | 75.69<br>[2.980] | 81.18<br>[3.196] | 83.82<br>[3.300] | 60        | 3-1761711-6 |
|----------|------------------|----|------------------|------------------|------------------|-----------|-------------|
|          | 60.96<br>[2.400] | 24 | 62.99<br>[2.480] | 68.48<br>[2.696] | 71.12<br>[2.800] | 50        | 3-1761711-5 |
|          | 48.26<br>[1.900] | 19 | 50.29<br>[1.980] | 55.78<br>[2.196] | 58.42<br>[2.300] | 40        | 3-1761711-3 |
|          | 40.64<br>[1.600] | 16 | 42.67<br>[1.680] | 48.16<br>[1.896] | 50.80<br>[2.000] | 34        | 3-1761711-1 |
| OBSOLETE | 30.48<br>[1.200] | 12 | 32.51<br>[1.280] | 38.00<br>[1.496] | 40.64<br>[1.600] | 26        | 2-1761711-9 |
|          | 27.94<br>[1.100] | 11 | 29.97<br>[1.180] | 35.46<br>[1.396] | 38.10<br>[1.500] | 24        | 2-1761711-8 |
|          | 22.86<br>[.900]  | 9  | 24.89<br>[.980]  | 30.38<br>[1.196] | 33.02<br>[1.300] | 20        | 2-1761711-7 |
| OBSOLETE | 17.78<br>[.700]  | 7  | 19.81<br>[.780]  | 25.30<br>[.996]  | 27.94<br>[1.100] | 16        | 2-1761711-6 |
| OBSOLETE | 15.24<br>[.600]  | 6  | 17.27<br>[.680]  | 22.76<br>[.896]  | 25.40<br>[1.000] | 14        | 2-1761711-5 |
|          | 12.70<br>[.500]  | 5  | 14.73<br>[.580]  | 20.22<br>[.796]  | 22.86<br>[.900]  | 12        | 2-1761711-4 |
|          | 10.16<br>[.400]  | 4  | 12.19<br>[.480]  | 17.68<br>[.696]  | 20.32<br>[.800]  | 10        | 2-1761711-3 |
|          | 5.08<br>[.200]   | 2  | 7.11<br>[.280]   | 12.60<br>[.496]  | 15.24<br>[.600]  | 6         | 2-1761711-1 |
|          | E                | D  | C                | B                | A                | NO OF POS | PART NUMBER |

THIS DRAWING IS A CONTROLLED DOCUMENT. **STE** TE Connectivity

APPROVED BY: B. CRISAMORE/DJI, S. BOLASH, M. WALMSLEY

NAME: HEADER ASSEMBLY, LONG EJECT LATCH, VERTICAL, LOW PROFILE, IDC

PRODUCT SPEC: APPLICATION SPEC

SIZE: A1, CAGE CODE: 00779, DRAWING NO: 1761711

RESTRICTED TO: CUSTOMER DRAWING, SCALE: 4:1, SHEET: 1 OF 1, REV: E1

# Mouser Electronics

Authorized Distributor

Click to View Pricing, Inventory, Delivery & Lifecycle Information:

[TE Connectivity:](#)

[3-1761711-1](#)