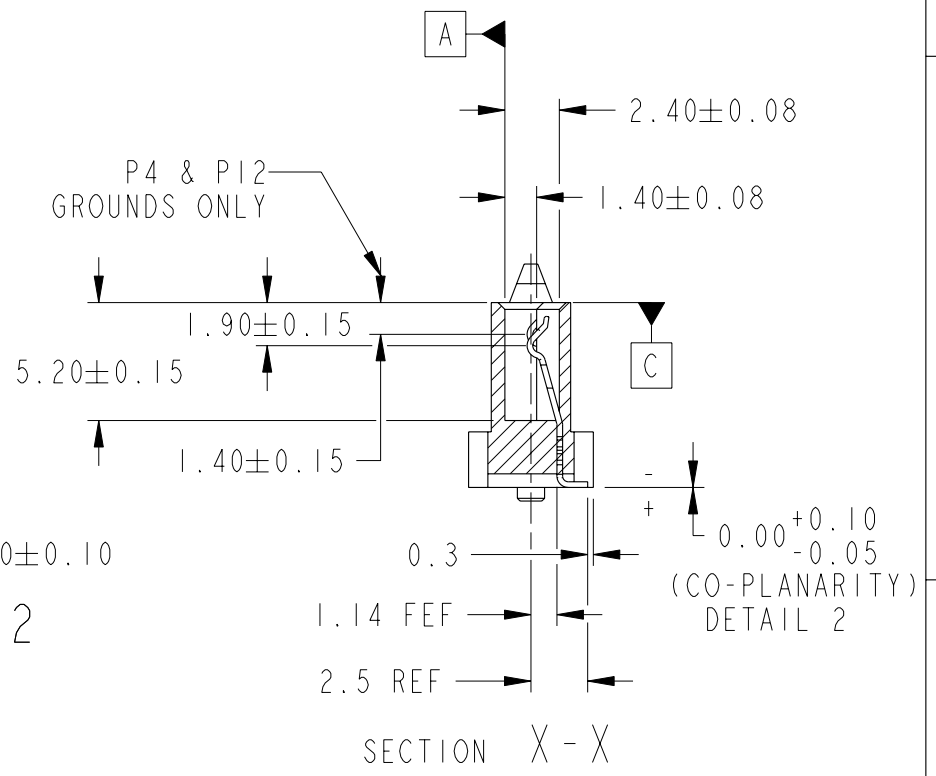
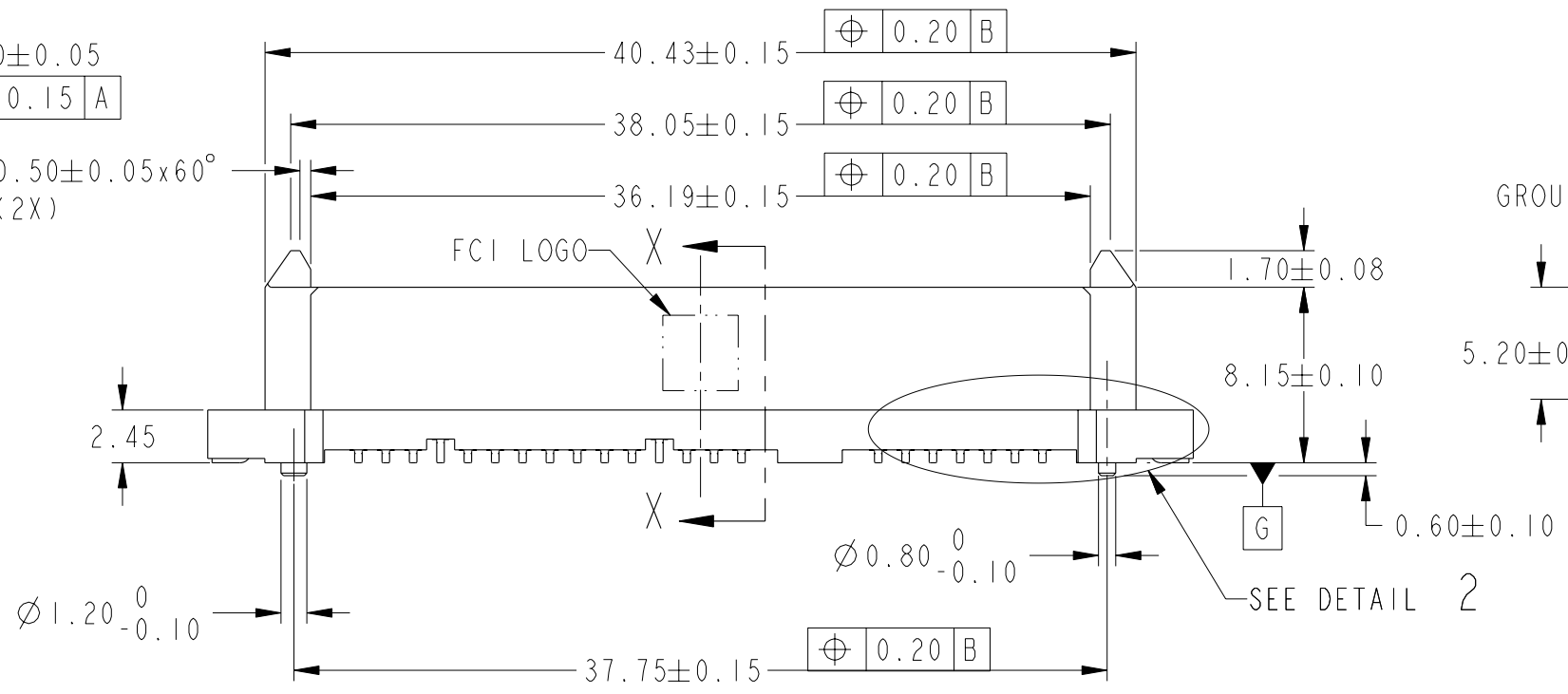
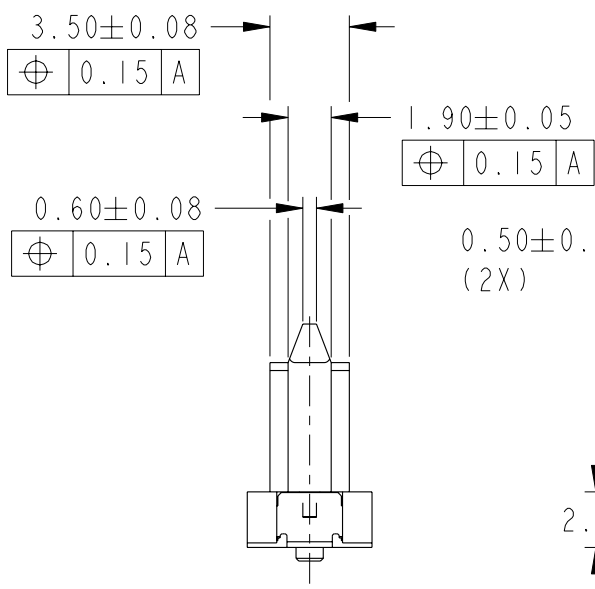
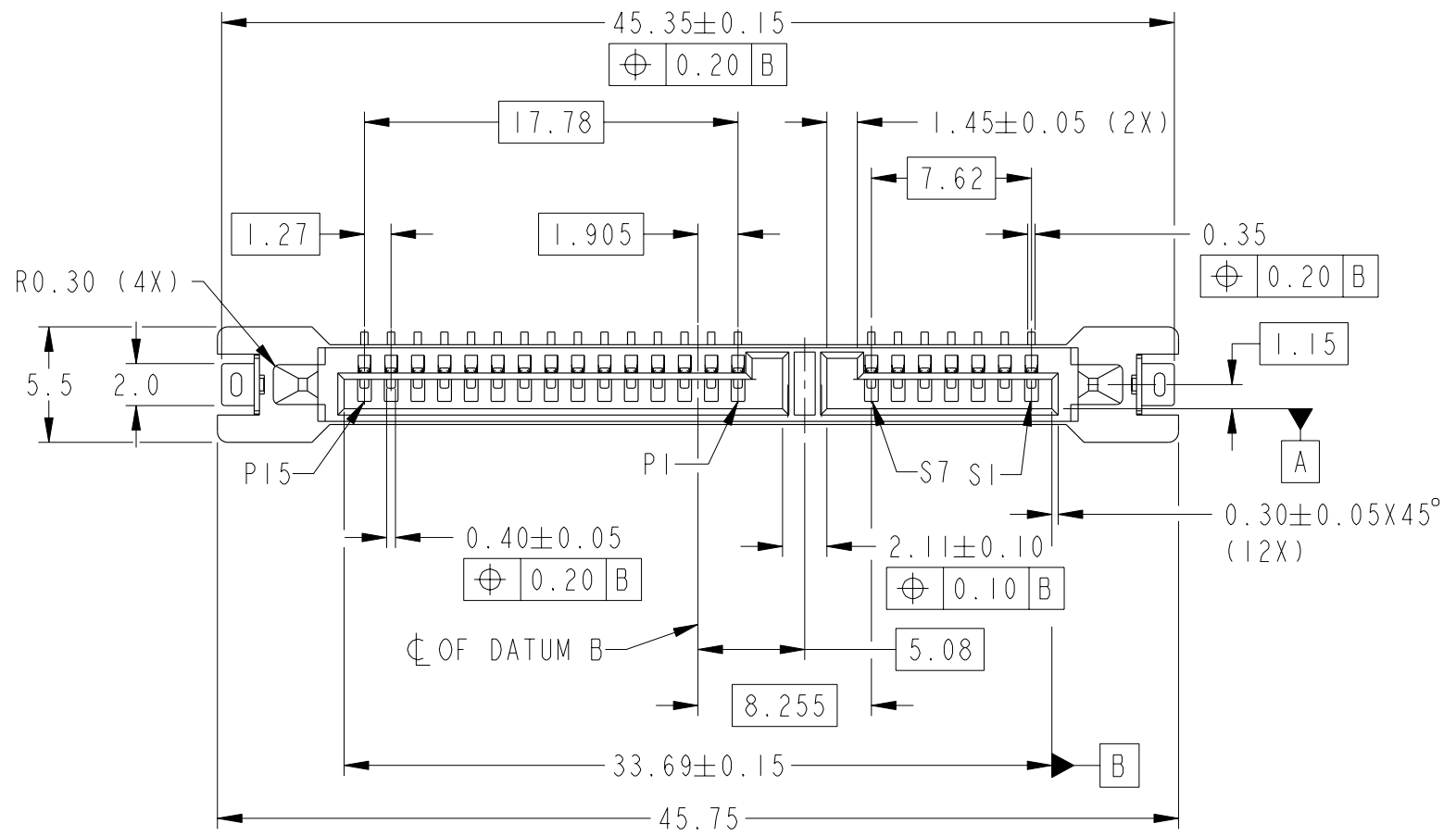


PRODUCT NO  
SEE TABLE



Copyright FCI.

spec ref	-	dr	GL LOO	2004-02-27	projection	MM	size	A3	scale	3:1
tolerance std	ISO 406 ISO 1101	eng	GL LOO	2004-02-27			ecn no	S10-0228	rel level	-
TOLERANCES UNLESS OTHERWISE SPECIFIED		chr	GL LOO	2010-10-28						
surface	ISO 1302	appr	JOEY NG	2010-10-28			rel level	-		
	linear	0.X	±				dwg no	10029065	rev	H
		0.XX	±0.20				Product - Customer	Drw	sheet 1 of 3	
	angular	0°	±2°							



NOTES:

- 1 THIS PRODUCT MEETS THE SATA SPEC REV. 1.0a
- 2 MATERIAL :
  - 1) HOUSING : HIGH TEMP TERMOPLASTIC, UL 94V-0
  - COLOR : BLACK
  - 2) TERMINAL : COPPER ALLOY
  - 3) HOLD DOWN : COPPER ALLOY
- ③ FINISH :
  - 1) TERMINAL : 30μ" Au PLATING (CONTACT POINT) OVER 50μ" NICKEL
  - 2) SOLDER TAIL : 50μ" min Sn OVER 50μ" NICKEL
  - 3) HOLD DOWN : 50μ" min Sn OVER 50μ" NICKEL
- ④ PART WITH PICK-UP CAP, P/N XXXXXXXX-XXX<sub>C</sub> LF
- ⑤ THE STD PACKAGING IS IN TRAY UNLESS OTHERWISE SPECIFIED.
- 6 THE HOUSING WILL WITHSTAND EXPOSURE TO 260°C PEAK TEMPERATURE FOR 10 SECONDS IN A CONVECTION INFRA-RED OR VAPOR PHASE REFLOW OVEN.
- ⑦ THIS PRODUCT MEETS EUROPEAN UNION DIRECTIVES AND OTHER COUNTRY REGULATIONS AS DESCRIBED IN GS-22-008.
- ⑧ PART NUMBERS ENDING IN"LF" MEANS FOR NOTE 7 LEAD FREE IDENTIFICATION
  - (i) ~~P/N XXXXXXXX-XXXLF IS EQUIVALENT TO PREVIOUS P/N XXXXXXXX-XXX~~
  - (ii) ~~P/N XXXXXXXX-XXXCLF IS EQUVALENT TO PREVIOUS P/N XXXXXXXX-XXXC~~
- ⑨ FOR TAPE & REEL PACKAGING, SUFFIX "-TR" ADDED.  
P/N XXXXXXXX-XXXC-TR LF
- ⑩ A  $\triangle H$  SYMBOL WILL BE NEXT TO ANY DIMENSION, VIEW, OR NOTE WHICH HAS BEEN MODIFIED WITH THE CURRENT DRAWING REVISION
- ⑪ FINISH :
  - 1) TERMINAL : 15μ" GXT PLATING (CONTACT POINT) OVER 50μ" NICKEL
  - 2) SOLDER TAIL : 50μ" min Sn OVER 50μ" NICKEL
  - 3) HOLD DOWN : 50μ" min Sn OVER 50μ" NICKEL



Copyright FCI.

spec ref -		dr	GL LOO	2004-02-27	projection 	MM 	size	A3	scale	3:1	
tolerance std ISO 406 ISO 1101		TOLERANCES UNLESS OTHERWISE SPECIFIED					eng	GL LOO	2004-02-27	ecn no S10-0228	
		chr	GL LOO	2010-10-28			appr	JOEY NG	2010-10-28	product family	S-ATA
surface	linear	0.X	± -		S-ATA COMB RECEP VERTICAL SMT TYPE ASSY			dwg no 10029065	rev H		
		0.XX	±0.20								
		0.XXX	± -								
ISO 1302	angular	0°	±2°	www.fci.com	cat. no.	-	Product - Customer		Drw	sheet 3 of 3	

# Mouser Electronics

Authorized Distributor

Click to View Pricing, Inventory, Delivery & Lifecycle Information:

[FCI / Amphenol:](#)

[10029065-001CLF](#) [10029065-001C-TRLF](#) [10029065-001LF](#)