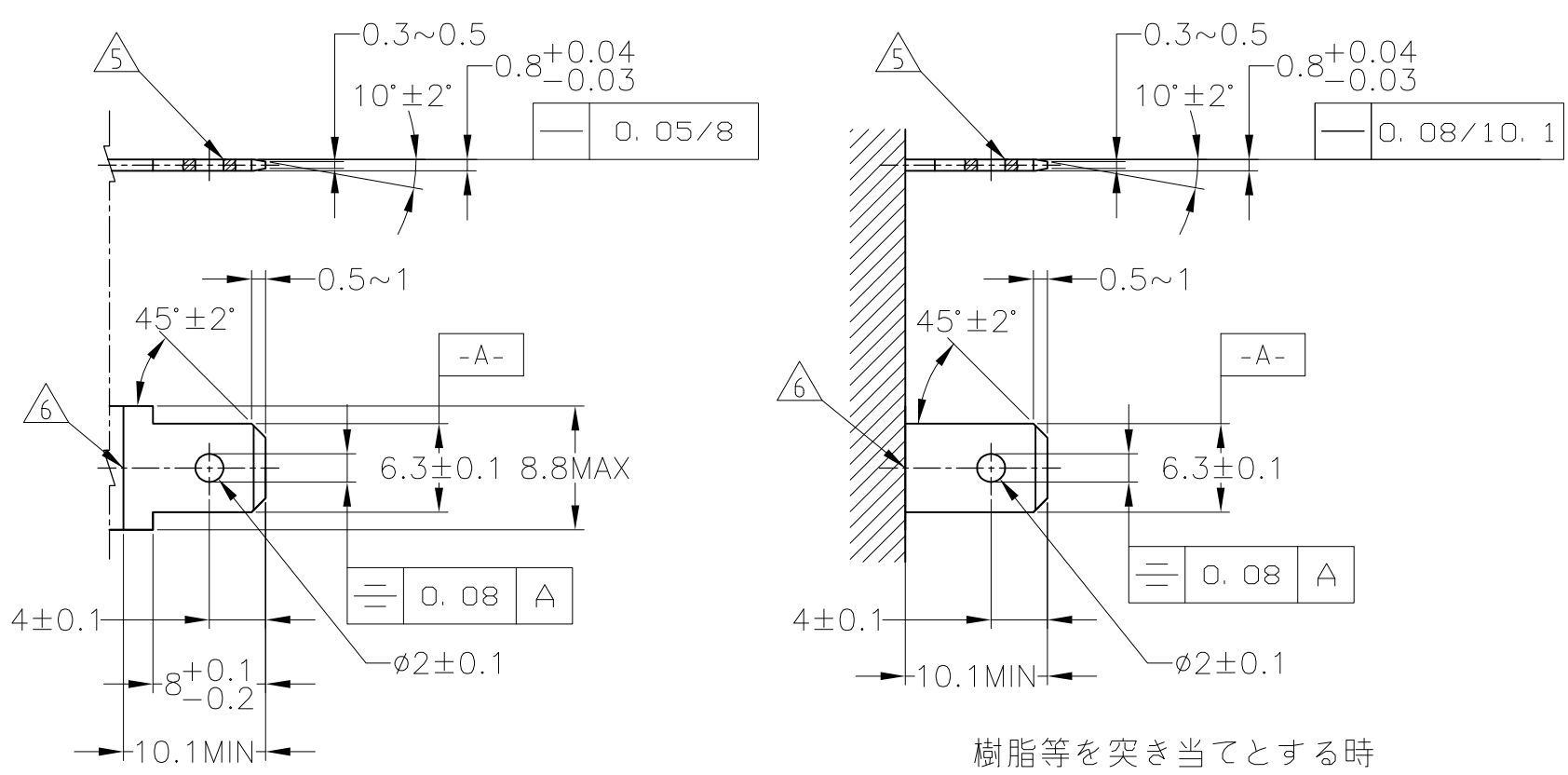
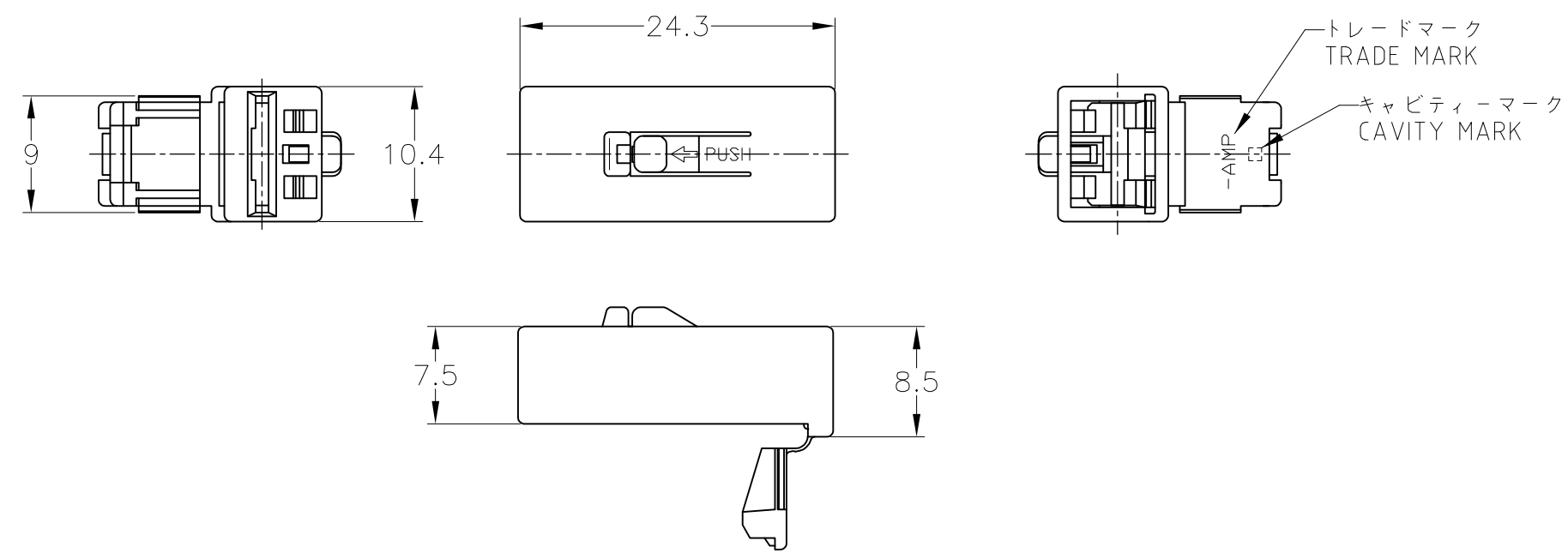


THIS DRAWING IS UNPUBLISHED. RELEASED FOR PUBLICATION
 © COPYRIGHT - By - ALL RIGHTS RESERVED.

LOC	DIST	REVISIONS					
J	-	P	LTR	DESCRIPTION	DATE	DWN	APVD
			C1	REVISED PER ECO-11-005140	28MAR11	RK	HMR



1. PRODUCT SPEC NO. 108-5150
 2. APPLICATION SPEC NO. 114-5060
 3. CUSTOMER MANUAL NO. CM154J
 4. APPLIDE CONTACT PN 170452, 170454
 - △ WORKMANSHIP OF THE TAB HOLE EDGES MUST BE SUCH THAT EDGES MUST BE FREE FROM THE BURRS, WITH THE SHEAR DROOP NOT EXCEEDING 0.1 MILLIMETER
 - △ CLEARANCE LINE FOR TAB TO MATE WITH COUNTERPART HOUSING
1. 製品規格番号：108-5150
 2. 取付適用規格番号：114-5060
 3. 取扱説明書番号：CM-154J
 4. 適用コンタクト型番：170452, 170454
 - △ タブ穴加工の際、バリがなく穴のダレは0.1を越えないこと
 - △ この部分迄ハウジングが挿入されるための必要スペース

茶 / BROWN	174090-3
黒 / BLACK	174090-2
自然色 / NATURAL	174090-1
色 / COLOR	型番 / PART NUMBER

タブ寸法推奨図
 RECOMMENDED MATING TAB DESIGN

仕上げ：メッキなし又は錫メッキ
 FINISH: PLAIN OR ELECTRO-TIN
 材料：7/3黄銅 0.8t JIS-3100C-2600P-1/2H
 MATERIAL: 70/30 BRASS, t=0.8

一般公差 (GENERAL TOLERANCE)	
10以下	±0.2
10を超え 30以下	±0.25
30を超え 100以下	±0.3
角 度	±3°

THIS DRAWING IS A CONTROLLED DOCUMENT.	
DIMENSIONS: mm	TOLERANCES UNLESS OTHERWISE SPECIFIED:
	0 PLC ±-
	1 PLC ±-
	2 PLC ±-
	3 PLC ±-
	4 PLC ±-
	ANGLES ±-
	FINISH -
MATERIAL 66 ナイロン 66 NYLON	

DWN T.SHINOHARA 17AUG09	STE TE Connectivity			
CHK K.BETSUI 17AUG09				
APVD K.BETSUI 17AUG09	NAME			
PRODUCT SPEC SEE NOTE 1	250 POSITIVE LOCK 1POS. PLUG HOUSING LOW PRO TYPE CONNECTOR			
APPLICATION SPEC SEE NOTE 2	SIZE	CAGE CODE	DRAWING NO	RESTRICTED TO
WEIGHT -	A3	00779	C-174090	-
CUSTOMER DRAWING		SCALE 2:1	SHEET 1 OF 1	REV C1

Mouser Electronics

Authorized Distributor

Click to View Pricing, Inventory, Delivery & Lifecycle Information:

[TE Connectivity:](#)

[174090-2](#)