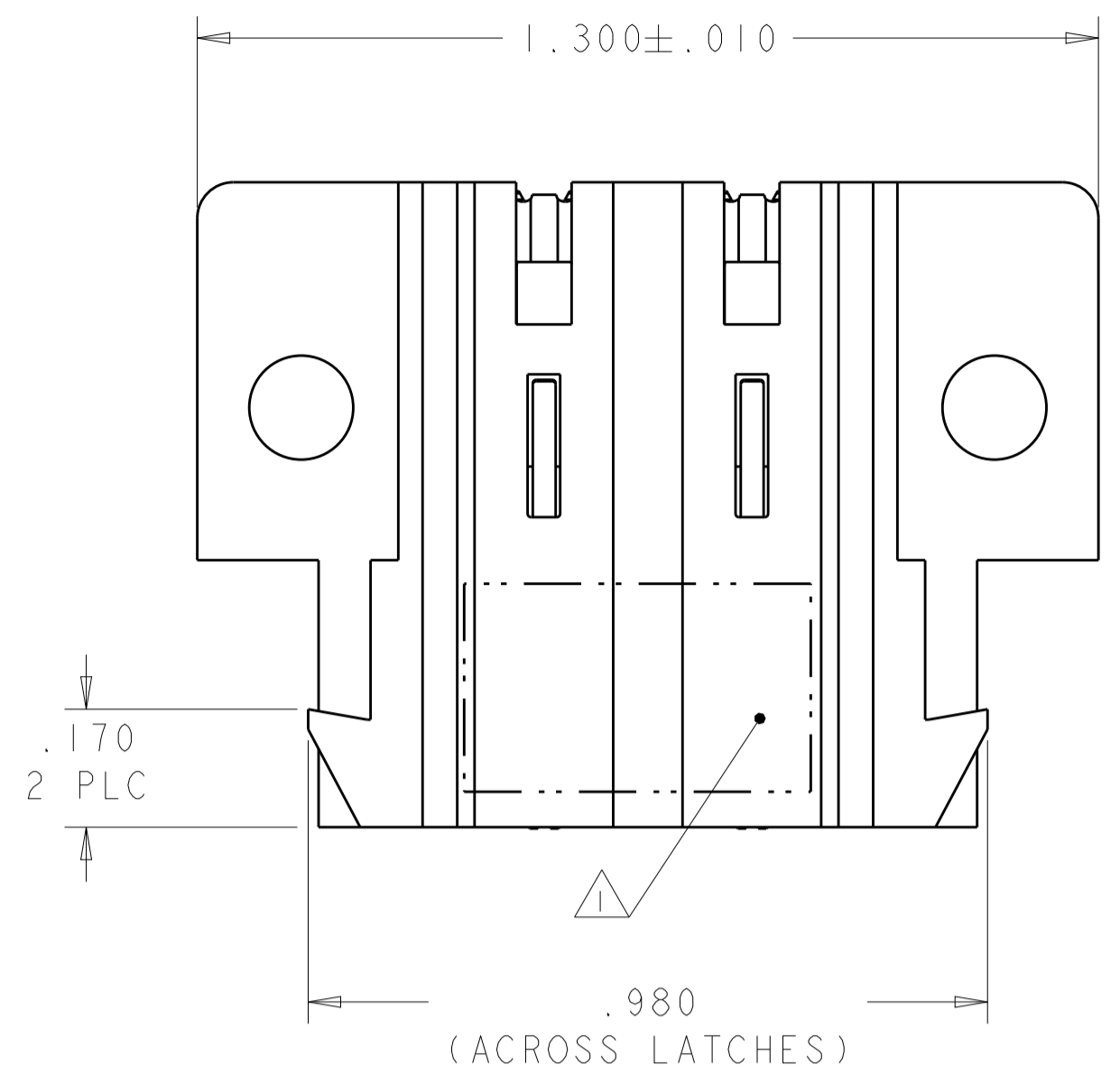
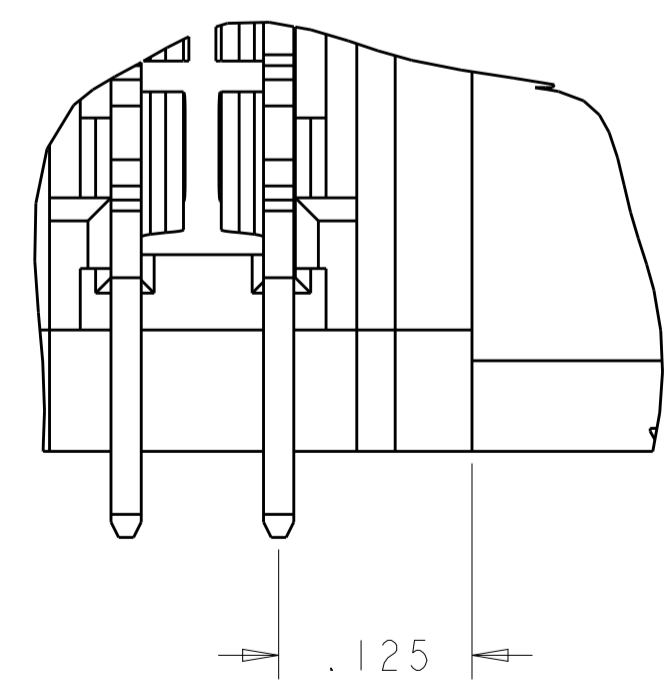
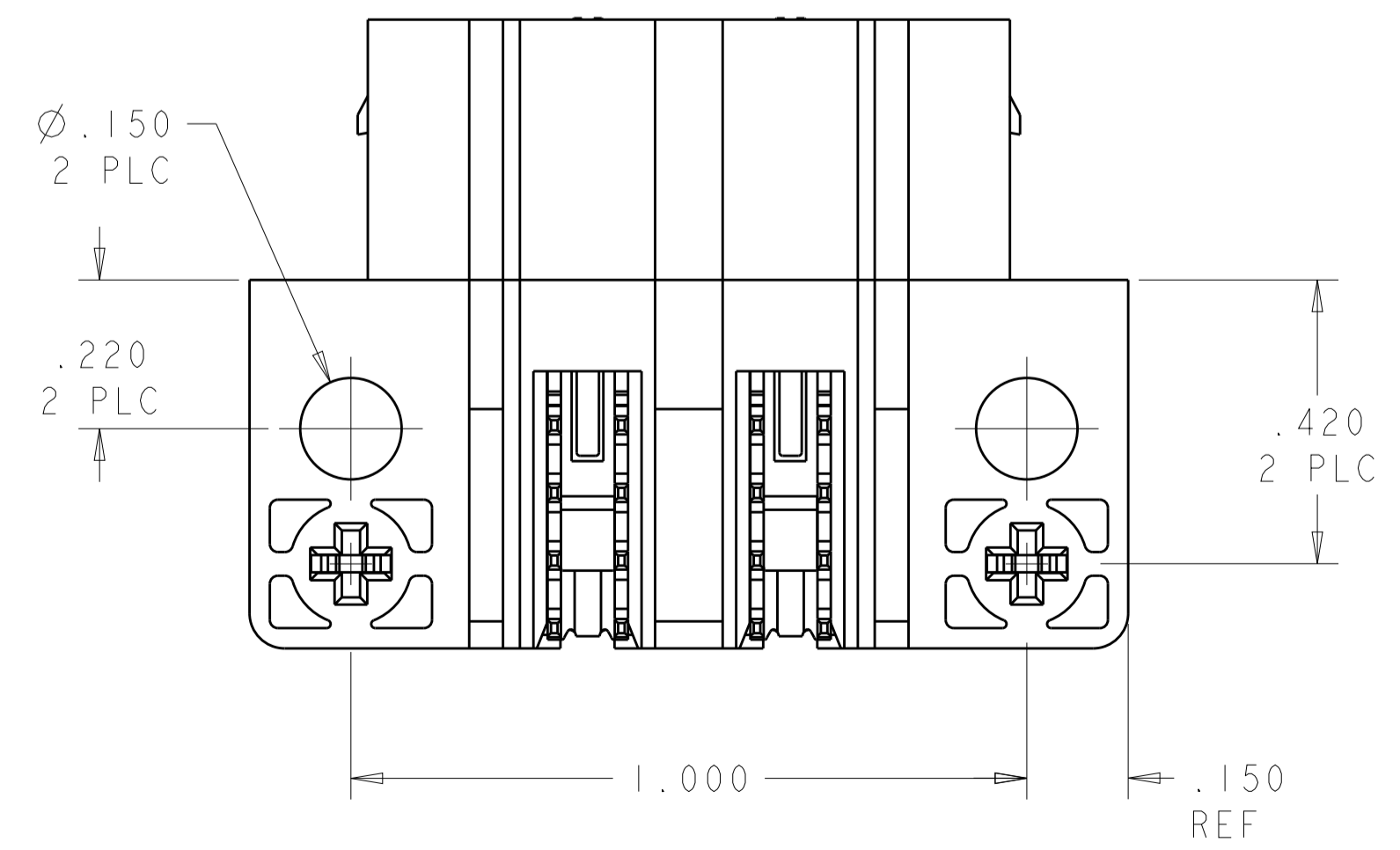
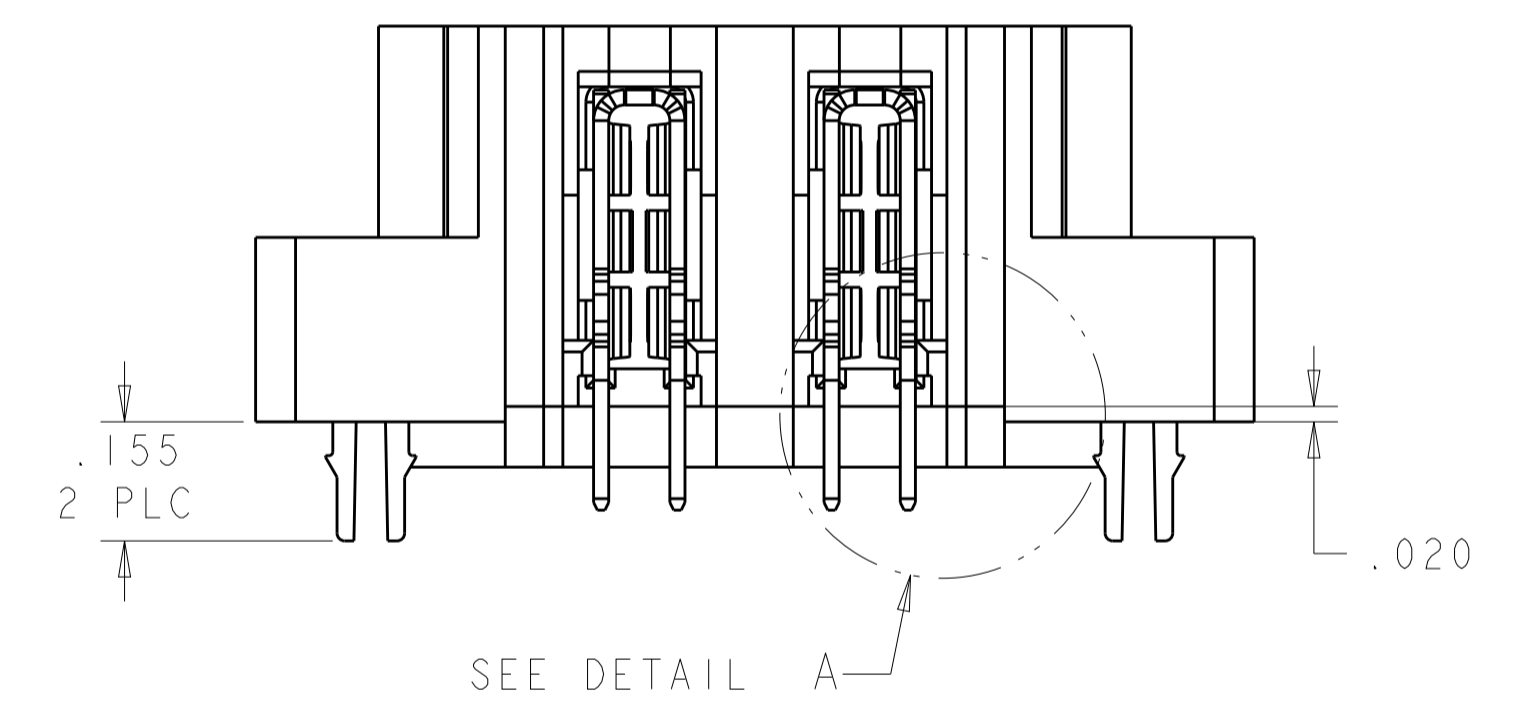
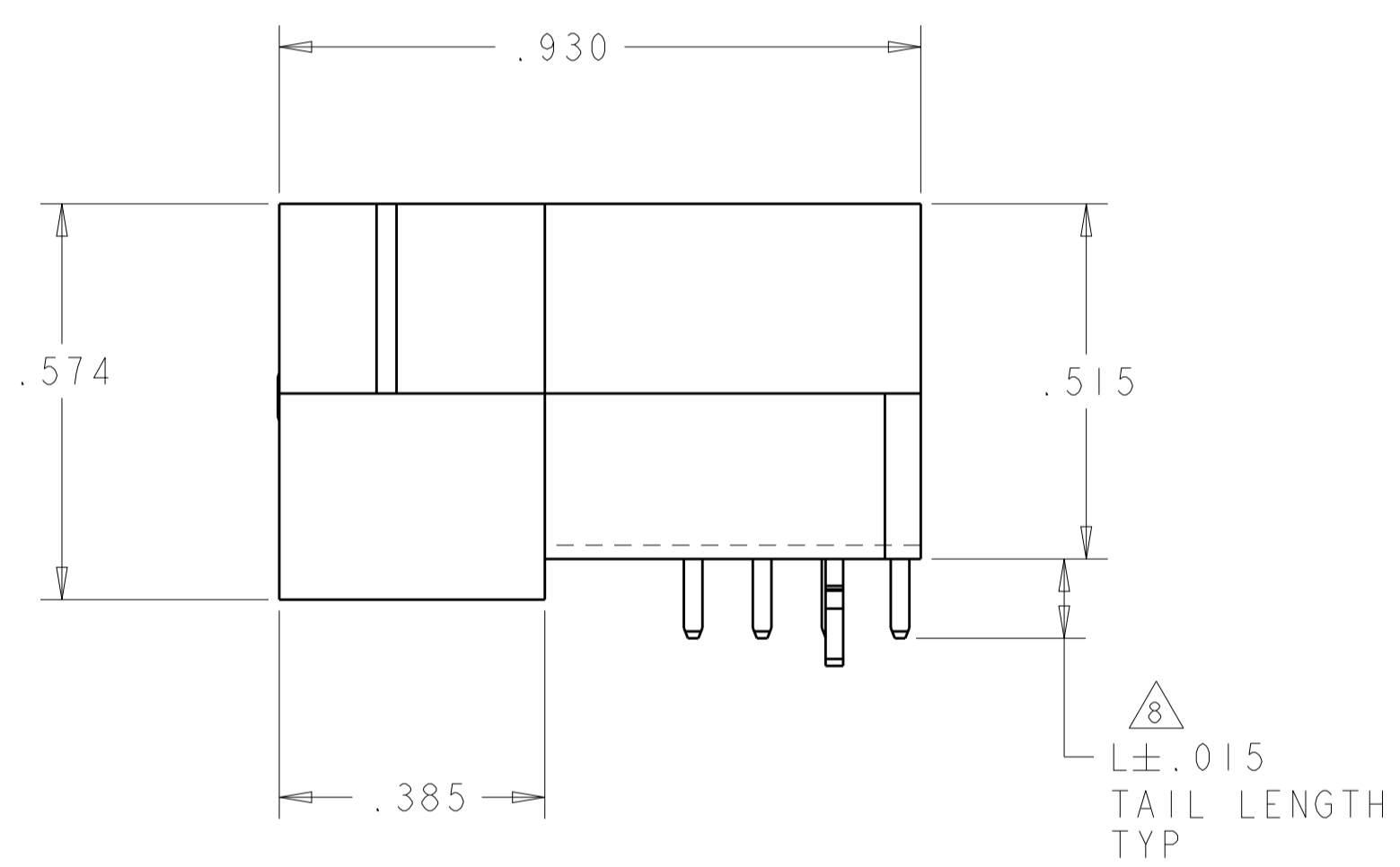
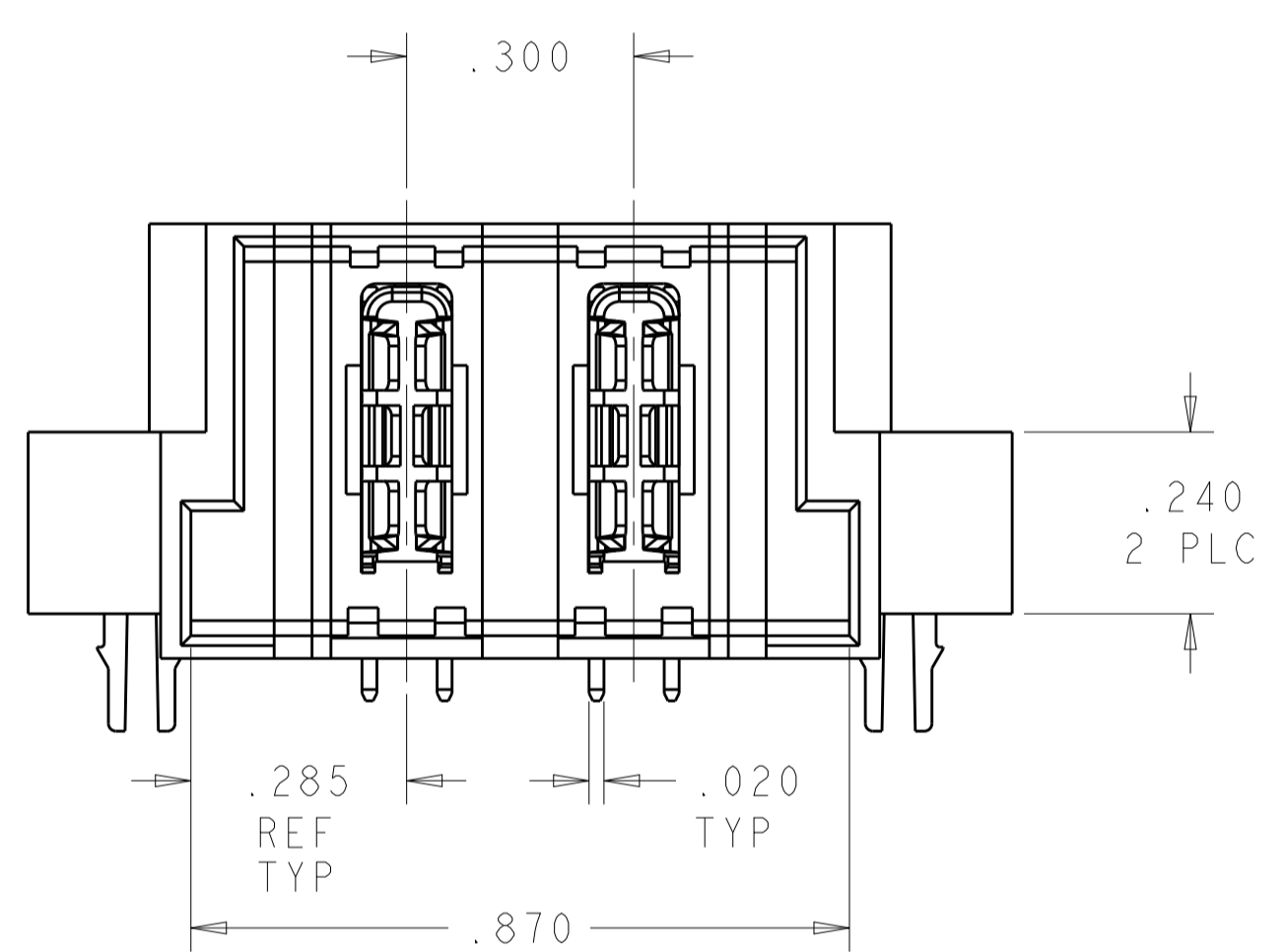


LOC		DIST		REVISIONS			
ES	00	P	LTN	DESCRIPTION	DATE	DWN	APVD
		D1		REV PER ECR-12-011257	01JUN2012	ML	SZ



- ① "AMP" PART NUMBER AND DATE CODE TO BE MARKED IN AREA SHOWN. PARTS UNDER 2.00 INCHES LONG MAY BE MARKED ON BOTH SIDES.
- ② MATERIAL: HOUSING - GLASS FILLED HIGH TEMP THERMO PLASTIC, UL 94 V-0  
 POWER CONTACT - HIGH CONDUCTIVITY COPPER ALLOY.
- ③ CONTACT PLATING: NOBLE METAL PLATING ON CONTACT FUNCTIONAL AREA OF POWER AND SIGNAL CONTACTS.
- ④ MECHANICAL CONNECTOR KEEP OUT ZONE. WHEN PLACING CONNECTORS END-TO-END, ALLOW ADDITIONAL 0.1 CLEARANCE BETWEEN CONNECTORS FOR LATCH ACTIVATION.
- ⑤ DATUM AND BASIC DIMENSIONS ESTABLISHED BY CUSTOMER.
- ⑥ PCB - ALL HOLE DIAMETERS ARE FINISHED HOLE SIZES.
- ⑦ PCB - .0453 ± .0010 DRILLED HOLES PLATED WITH .0003 MIN Sn OVER .001 TO .003 Cu PLATING TO ACHIEVE A .040 DIA HOLE.
- ⑧ THIS TAIL LENGTH REFLECTS THE .020 HOUSING STAND-OFFS ON EACH END.



DETAIL A  
 SCALE 8:1

PACKING TYPE	DESCRIPTION	PART NUMBER
TRAY	2ACP	1892109-6
TAPE & REEL	2ACP	1892109-5
TAPE & REEL	2ACP	1892109-3
TRAY	2ACP	1892109-1

THIS DRAWING IS A CONTROLLED DOCUMENT. DWN: CECILY.ZHOU 23MAR2006  
 CHK: SUNY.ZHAO 23MAR2006  
 APVD: SUNY.ZHAO

**STE** TE Connectivity

NAME: RIGHT ANGLE HEADER ASSEMBLY W/ END LATCHES W/HIGH DURABILITY POWER CONTACT MULTI-BEAM XL

PRODUCT SPEC: 108-1973  
 APPLICATION SPEC: 114-13038

SIZE: 114-13038  
 WEIGHT: -  
 CUSTOMER DRAWING

SCALE: 4:1 SHEET 1 OF 2 REV D2

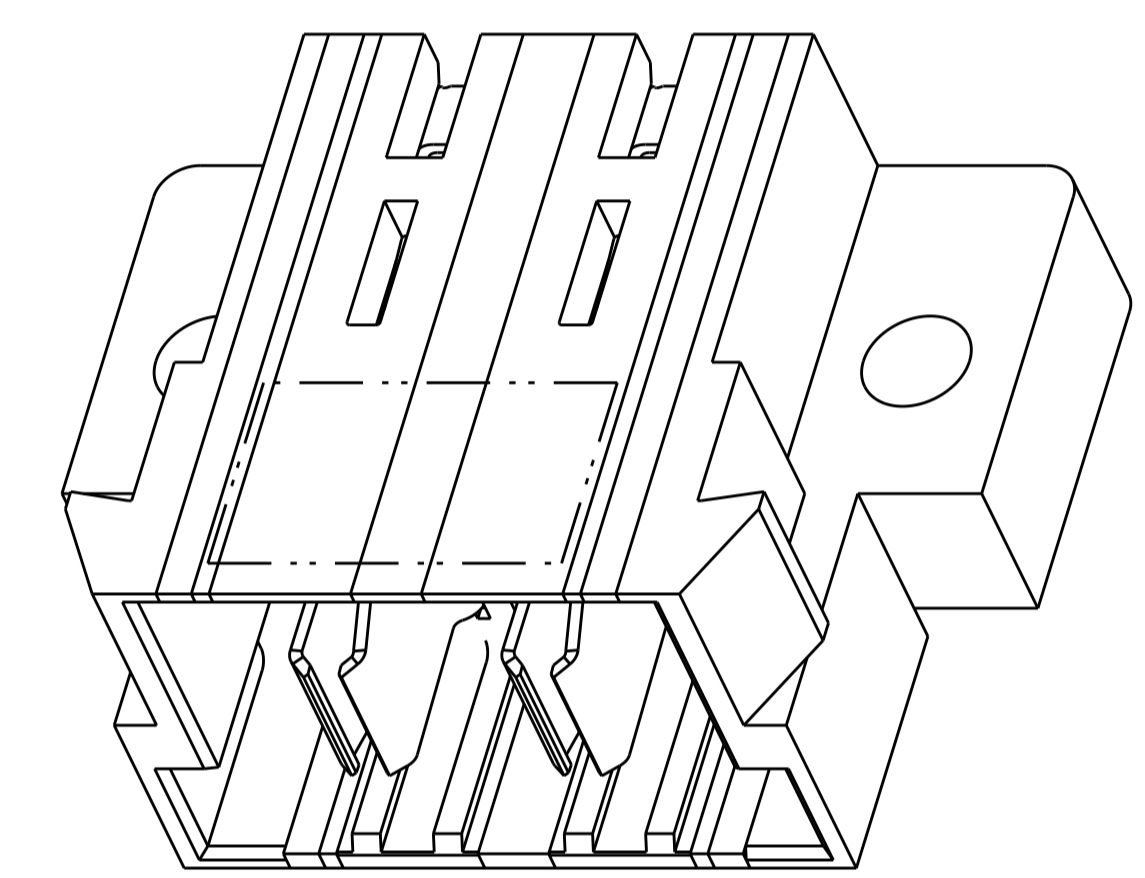
LOC	DIST	REV	DATE	BY	APPV
ES	00				
REVISIONS			DESCRIPTION		
-			SEE SHEET 1		

PART NUMBER	ROWS	POWER	
		P1	P2
1892109-1	D C B A	TM	TM
2ACP		HD	HD

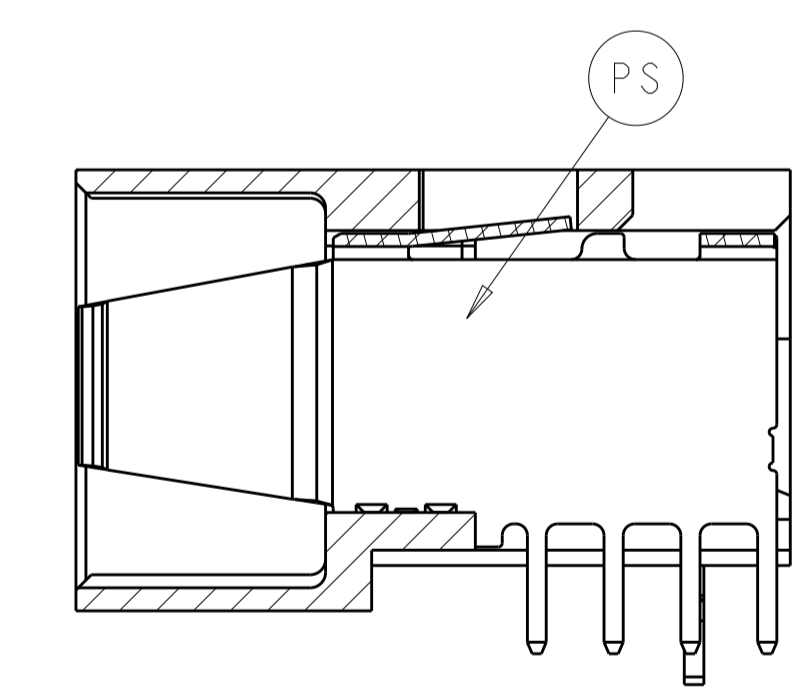
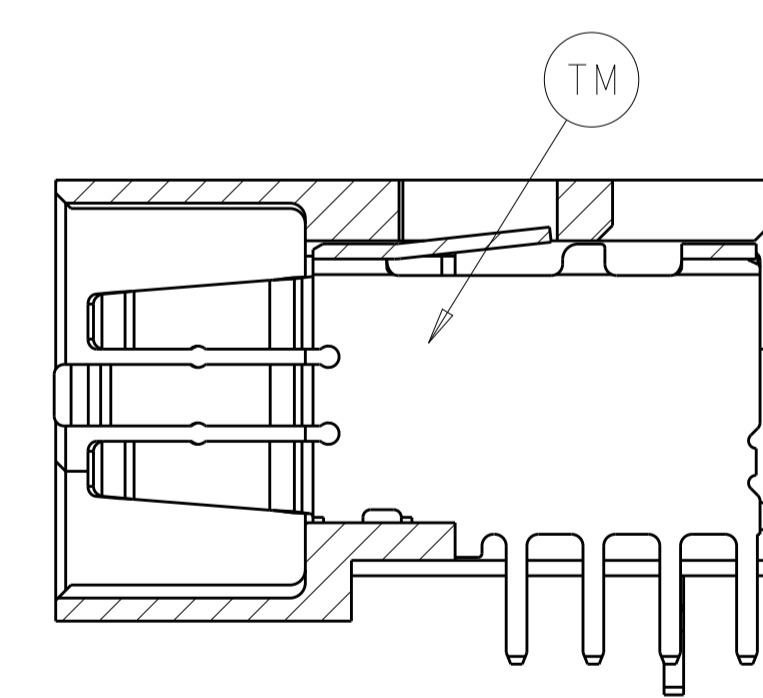
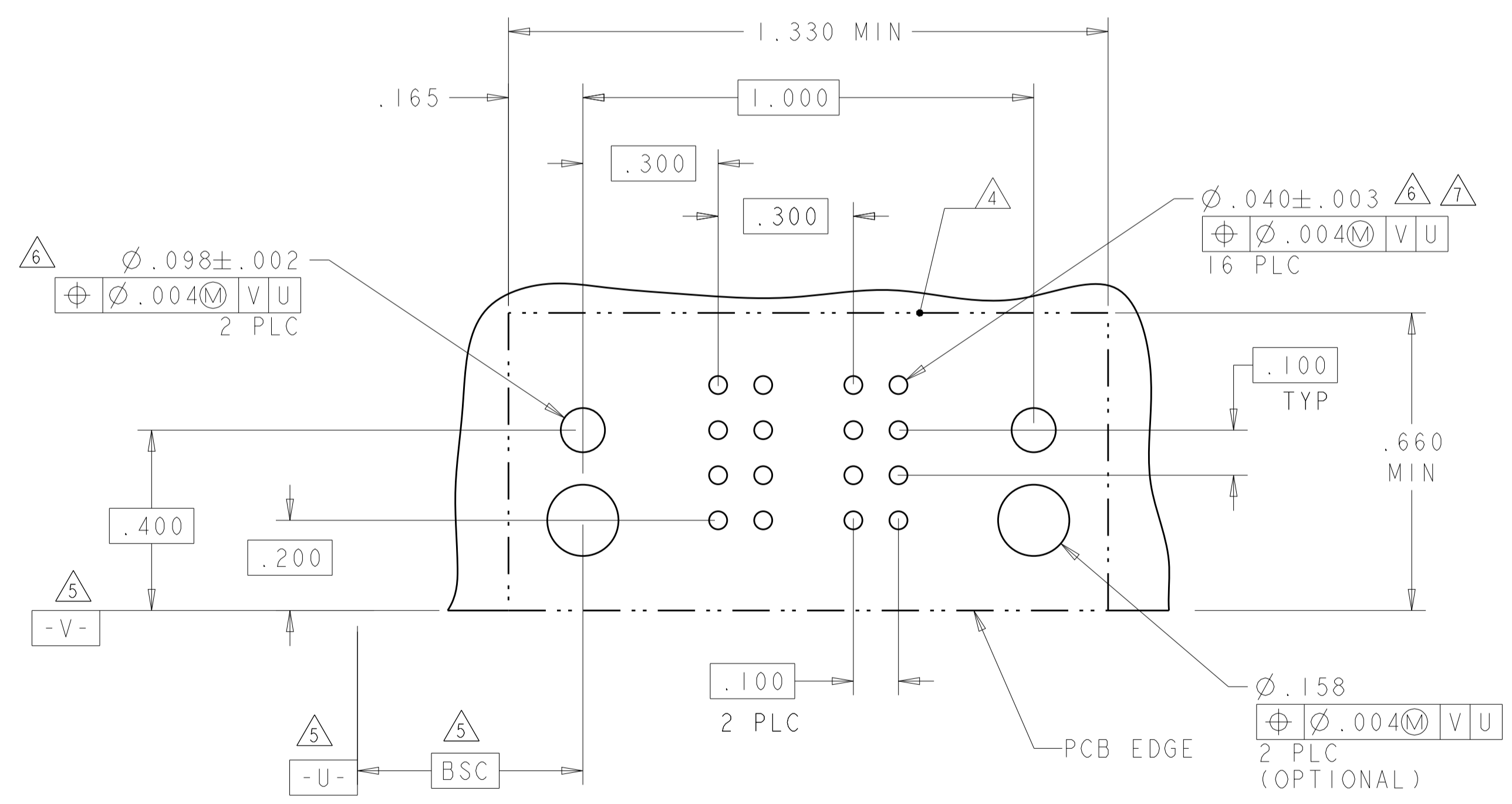
PART NUMBER	ROWS	POWER	
		P1	P2
1892109-3	D C B A	TM	TM
2ACP		HD	HD

PART NUMBER	ROWS	POWER	
		P1	P2
1892109-5	D C B A	PS	PS
2ACP		HD	HD

PART NUMBER	ROWS	POWER	
		P1	P2
1892109-6	D C B A	PS	PS
2ACP		HD	HD



PART NUMBER: 1892109-5



1892109-1 & 1892109-3 & 1892109-5 & 1892109-6 SHARE THE SAME PCB LAYOUT AS ABOVE

(C1)	PS	DUAL BEAM, L=.115
	TM	THREE BEAM, L=.115
CODE	DESCRIPTION	
	POWER CONTACT	

THIS DRAWING IS A CONTROLLED DOCUMENT.		OWN: CECILY.ZHOU 23MAR2006	TE Connectivity
DIMENSIONS: INCHES		CHK: SUNY_ZHAO 23MAR2006	
TOLERANCES UNLESS OTHERWISE SPECIFIED:		APVD: SUNY_ZHAO	NAME: RIGHT ANGLE HEADER ASSEMBLY W/ END LATCHES W/HIGH DURABILITY POWER CONTACT MULTI-BEAM XL
0 PLC ±.01		PRODUCT SPEC: 108-1973	SIZE: 114-13038
1 PLC ±.01		APPLICATION SPEC: 114-13038	RESTRICTED TO: A100779C=1892109
2 PLC ±.005		WEIGHT: -	SCALE: 4:1
3 PLC ±.002		CUSTOMER DRAWING	SHEET 2 OF 2
ANGLES ±.020			REV D2
FINISH: -			

# Mouser Electronics

Authorized Distributor

Click to View Pricing, Inventory, Delivery & Lifecycle Information:

[TE Connectivity:](#)

[1892109-1](#) [1892109-5](#)