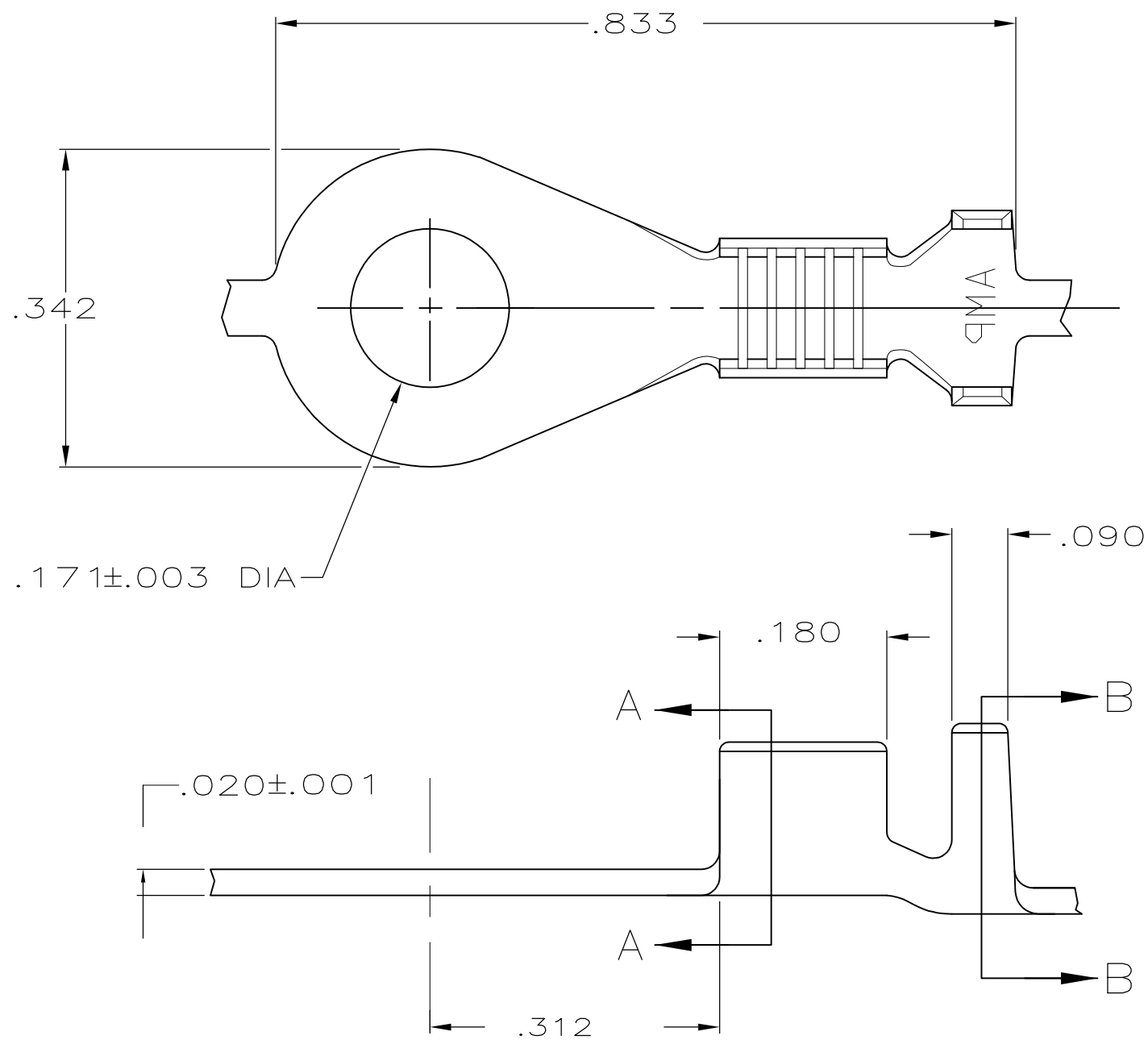
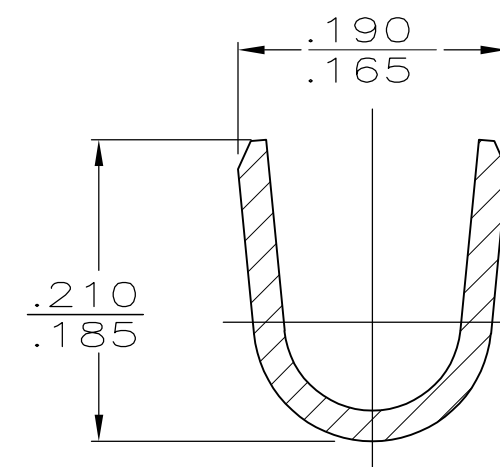
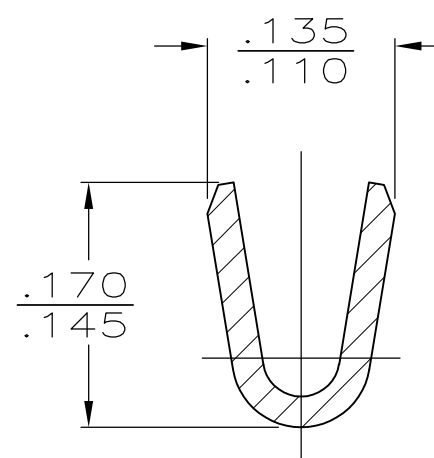


THIS DRAWING IS UNPUBLISHED. RELEASED FOR PUBLICATION
 © COPYRIGHT - By TYCO ELECTRONICS CORPORATION. ALL RIGHTS RESERVED.

LOC AF	DIST 50	REVISIONS			
P	LTR	DESCRIPTION	DATE	DWN	APVD
	K	REVISE PER ECR-13-013738	15FEB2014	GRZ	JL

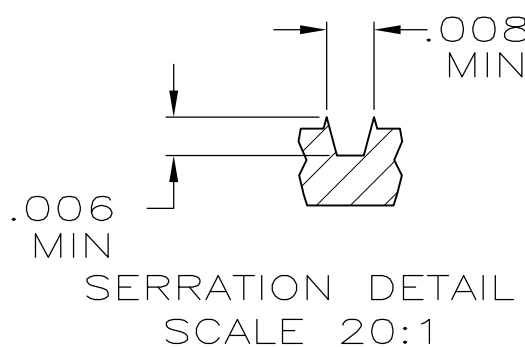


△ 1 TIN PL .000200 MIN PER MIL-T-10727 OVER
 COPPER PL .000100 MIN PER MIL-C-14550



SECTION A-A
SCALE 8:1

SECTION B-B
SCALE 8:1



OBSOLETE	△ 1	.100-.140	18-14	60320-3
	TIN PL	.100-.140	18-14	60320-2
		.100-.140	18-14	60320-1
	FINISH	INSULATION RANGE	MAGNET WIRE SIZE	PART NO

THIS DRAWING IS A CONTROLLED DOCUMENT.		DWN P FORTNEY 6/4/87	TE Connectivity NAME RING,AMPLIVAR			
DIMENSIONS: INCHES		CHK G YETTER 1/6/88				
TOLERANCES UNLESS OTHERWISE SPECIFIED:		APVD RP FRANTZ 1/7/88				
0 PLC ± - 1 PLC ± - 2 PLC ± - 3 PLC ± .015 4 PLC ± - ANGLES ± -		PRODUCT SPEC TL SHUTTER 1/12/88				
MATERIAL BRASS	FINISH SEE TABLE	APPLICATION SPEC -	SIZE A3	CAGE CODE 00779	DRAWING NO C-60320	RESTRICTED TO -
CUSTOMER DRAWING			SCALE 6:1	SHEET 1 OF 1	REV K	

Mouser Electronics

Authorized Distributor

Click to View Pricing, Inventory, Delivery & Lifecycle Information:

[TE Connectivity:](#)

[60320-2](#)