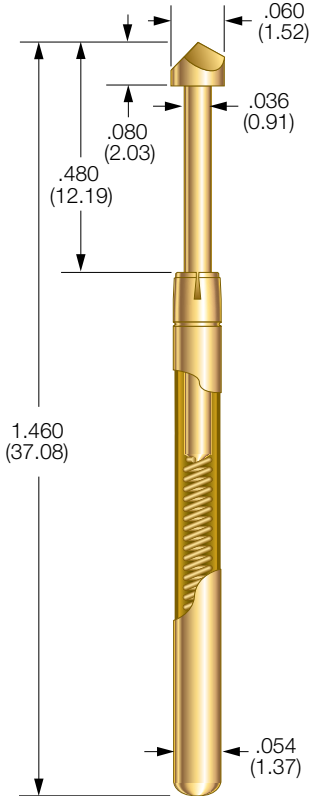
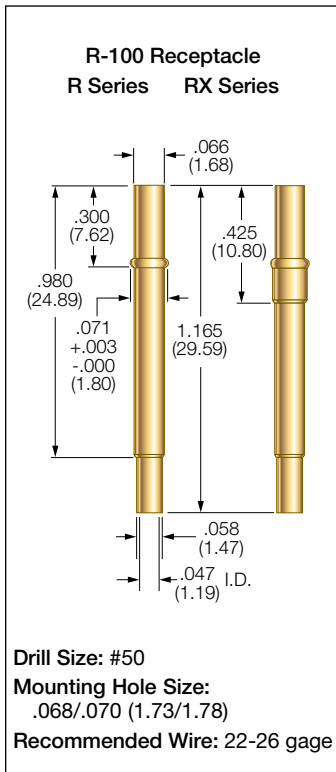


**ICT-L100 PROBE**



**PROBE SPECIFICATIONS**

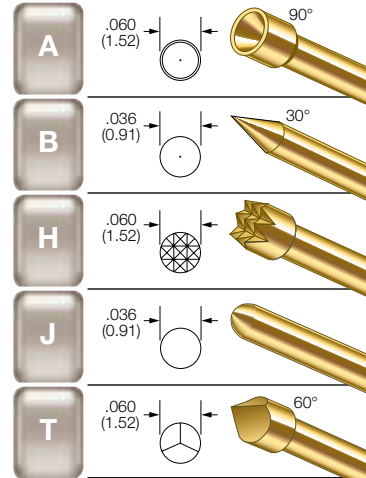
Minimum Centers: .100 (2.54)  
 Current Rating: 3 amps continuous  
 Spring Force: 5.7 oz. @.317 (8.05) travel  
 Typical Resistance: < 10 mΩ  
 Maximum Travel:  
 VLT tip: .385 (9.78)  
 All others: .400 (10.16)  
 Working Travel: .317 (8.05)

Rated Force oz (g)	Preload oz (g)
5.7 (162)	1.8 (51)

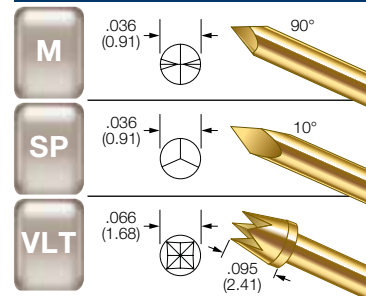
**MATERIALS**

Barrel: G2  
 Spring: Music wire, gold plated over nickel  
 Plunger: Beryllium copper or steel, gold plated over nickel  
 Receptacle: Nickel/silver, gold plated; gold plated post

**BeCu PLUNGER TIPS**



**STEEL PLUNGER TIPS**



**RECEPTACLE OPTIONS**

Part Number	Style	Receptacle Length	Probe/Receptacle Combined Length	Comments
R-100-CR	Crimp	1.165 (29.59)	1.645 (41.78)	—
R-100-SC	Solder Cup	1.165 (29.59)	1.645 (41.78)	—
R-100-RP	Round Post	1.540 (39.12)	2.020 (51.31)	.375 post length - .025 dia.
R-100-WW-429	Wire Wrap	1.594 (40.49)	2.074 (52.68)	.429 post length - .025 sq.
R-100-WW-694	Wire Wrap	1.859 (47.22)	2.339 (59.41)	.694 post length - .025 sq.
R-100-WW-1.044	Wire Wrap	2.209 (56.11)	2.689 (68.30)	1.044 post length - .025 sq.

**HOW TO ORDER: SPRING CONTACT PROBE**

**RECEPTACLE**

<b>ICT</b>	<b>L100</b>	<b>T</b>	<b>5.7</b>	<b>G</b>	<b>S</b>	<b>R</b>	<b>100</b>	<b>WW</b>	<b>429</b>
SERIES	SIZE	TIP STYLE	SPRING FORCE	PLATING OPTIONS	STEEL PLUNGER OPTION	SERIES	SIZE	TERMINATION	POST LENGTH
SPRING FORCE: 5.7 oz. @ .317 (8.05) travel  CRIMPING PLIERS: CPR100 INSERTION TOOL: RTR100						TERMINATIONS: CR: CRIMP SC: SOLDER CUP WW: WIRE WRAP RP: ROUND POST  POST LENGTH: WW: 429, 694 or 1.044			

VIEW UPDATES OF THIS INFORMATION AT [WWW.IDINET.COM](http://WWW.IDINET.COM)

Specifications subject to change without notice. Dimensions in inches (millimeters)

# Mouser Electronics

Authorized Distributor

Click to View Pricing, Inventory, Delivery & Lifecycle Information:

## Smiths Interconnect:

[ICT-L100-H-5.7-G](#) [ICT-L100-H-5.7-D](#) [ICT-L100-T-5.7-D](#) [ICT-L100-SP-5.7-G-S](#) [ICT-L100-SP-5.7-D-S](#) [ICT-L100-U-5.7-G-S](#) [ICT-L100-A-5.7-G](#) [ICT-L100-J-5.7-G](#) [ICT-L100-T-5.7-G](#)