

1 | 2 | 3 | 4 | 5 | 6

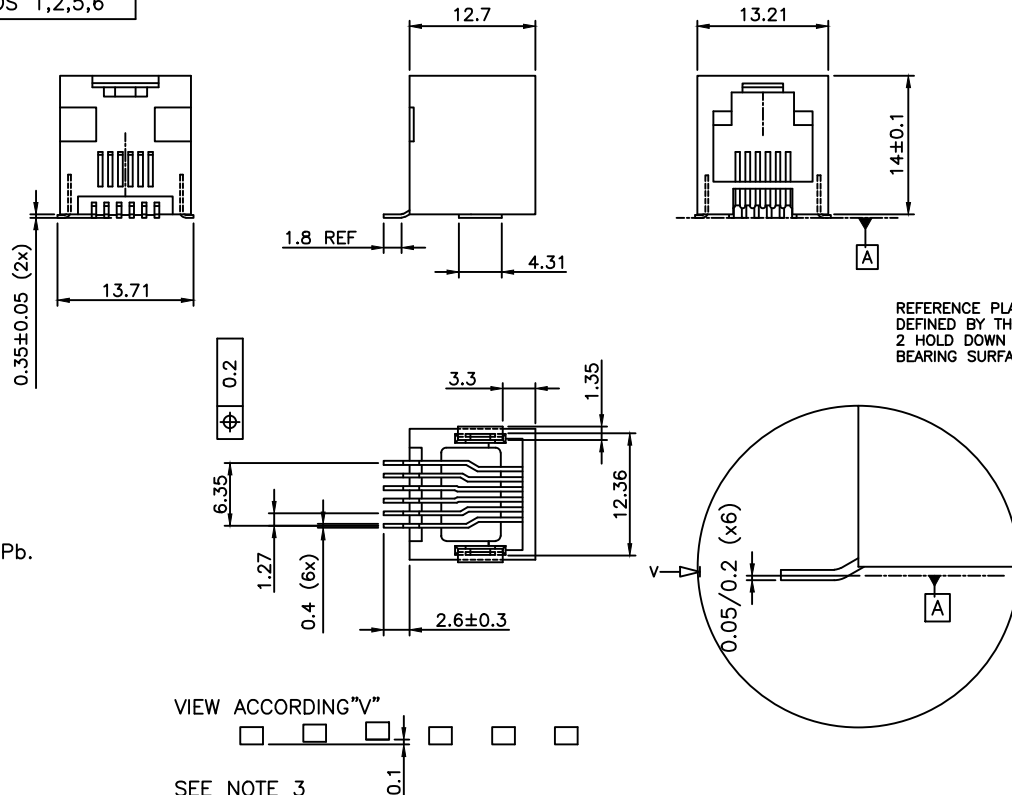
PRODUCT NUMBER
73305-XXXLF

PLATING OPTION
1= GXT 0.76 μm
3= GOLD 0.76 μm
5= GOLD 1.27 μm

PACKAGE OPTION
1= TAPE ON REEL
2= TUBE
3= TAPE ON REEL
IN PLASTIC BAG

TERMINAL LOADING
1= FULLY LOADED
2= POS 2,3,4,5
3= POS 1,2,5,6

WHEN NEEDED, SUFFIX LETTER "LF"
INDICATES THE PRODUCT IS RoHS
COMPATIBLE, SEE NOTE 4.



NOTES:

- 1- MATERIAL: HOUSING: HIGH TEMP. PCT, COLOUR BLACK.
TERMINAL: PHOSPHOR BRONZE.
- 2 - PLATING: CONTACT AREA: SEE TABLE.
SOLDER TAIL : 90/10 SnPb 2μm MIN.
WHEN SUFFIX "LF" IS REQUIRED, 2μm MIN MATTE
TIN OVER 1.27 MIN Ni IS SUPPLIED INSTEAD OF SnPb.
NO RAW EDGES EXEPT SOLDER TAIL TIPS
- 3 - SOLDER TAILS COPLANARITY : 0.1 mm
- 4 - RoHS COMPATIBLE PRODUCT SPECIFICATIONS
 - a - PLATING:
 - "LF" MEANS THE PRODUCT IS LEAD-FREE,
2μm MINIMUM MATTE TIN OVER 1.27μm
MINIMUM NICKEL UNDERPLATE.
 - b - MANUFACTURING PROCESS COMPATIBILITY
 - THE HOUSING WILL WITHSTAND EXPOSURE TO
245°C PEAK TEMPERATURE FOR 30 SECONDS
MAX IN A CONVECTION, INFRA-RED OR VAPOR
PHASE OR REFLOW OVEN.
 - c - LABELING:
 - MEETS PACKAGING SPECS AS PER GS-14-920
 - d - LEGAL STATEMENT: SEE GS-47-0004
- 5 - PACKAGING FOR OPTION 3 : EACH REEL IS WRAPPED INTO A PLASTIC BAG
TO PROTECT FROM MOISTURE DURING STACKING TIME.

VIEW ACCORDING "V"



SEE NOTE 3

CUSTOMER COPY FOR REFERENCE ONLY

mat'l. code			surface		tolerance		projection		product family		
			ISO 1302		ISO 406 ISO 1101		ISO 406 ISO 1101		MOD JACK		
ltr ecn no dr date			tolerances unless otherwise specified				mm		title		
H F06-0240 DLE 06.07.18			angles				±0.13		SMT RA JACK		
J F09-0070 LSA 09.07.23			linear						6 POS OUTSIDE		
K B-15798 JFA 13.09.09			±2'				scale 2:1				
L F-21888 AMA 15.09.09			dr		D LEGRAND 04.10.18		FCI		dwg no sheet 1 of 3 size		
F F04-0363 DLE 04.10.18			enr		P NIZZI 04.10.18				73305 A3		
G F05-0247 DLE 05.09.12			appd		D LEGRAND 04.10.18				type CUSTOMER Drawing		
sheet		revision		L		E		B			
index		sheet		1		2		3			

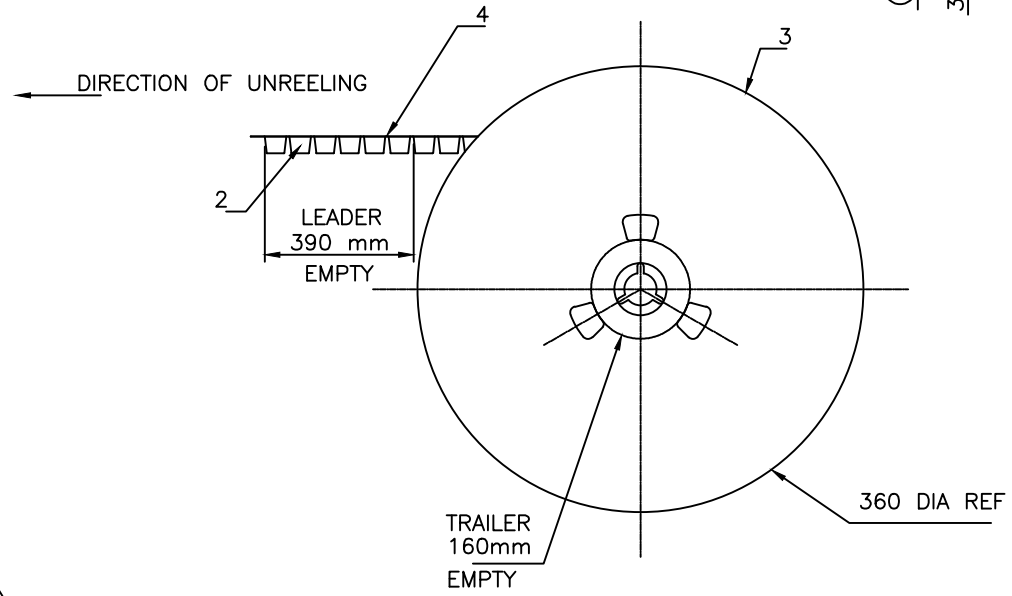
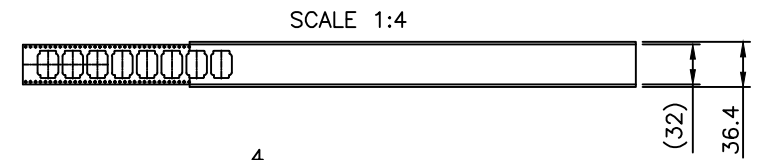
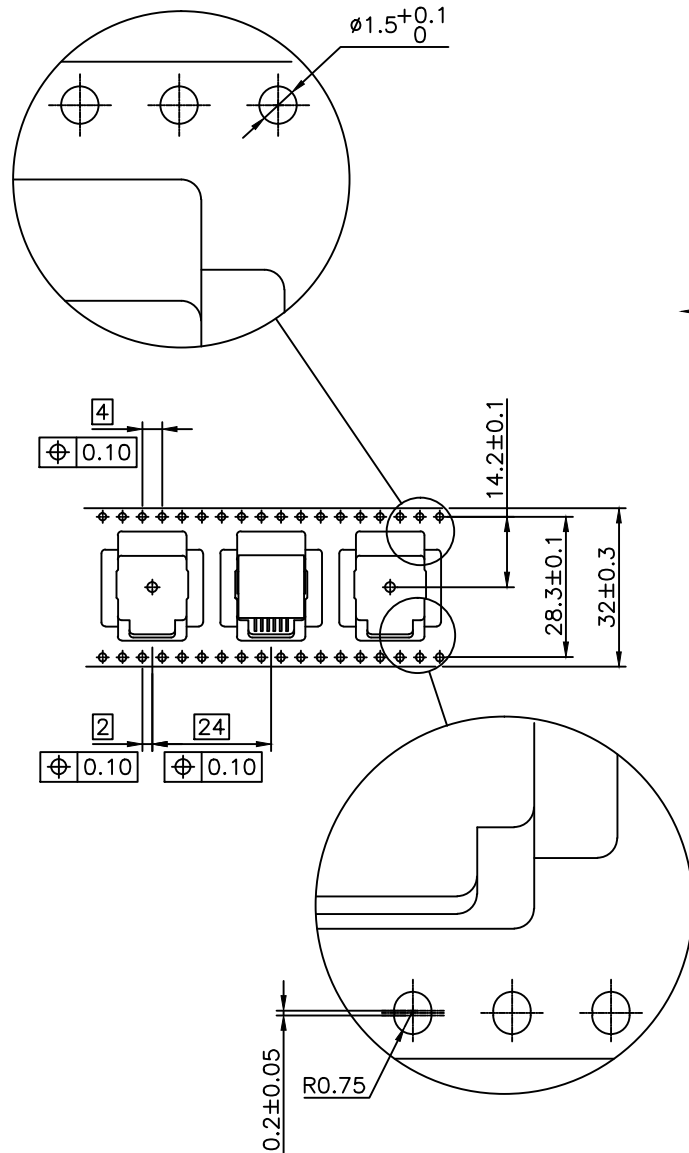


Copyright FCI

1 | 2 | 3 | 4 | 5 | 6

PRODUCT NUMBER
SEE SHEET 1

LTR	PART NAME	QTY
1	PRODUCT	230
2	TAPE	1
3	REEL	1
4	COVER TAPE	1



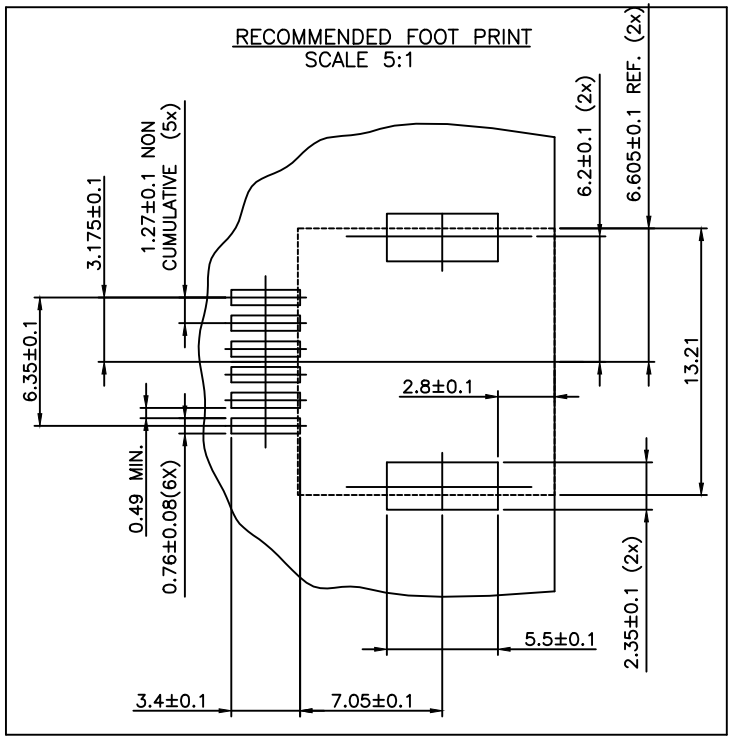
1- IN ACCORDANCE WITH EIA-481 AND IEC 296-3

CUSTOMER COPY FOR REFERENCE ONLY

mat'l. code		surface		tolerance		projection		product family	
		ISO 1302		ISO 406 ISO 1101		mm		MOD-JACK	
ltr		ecn no		dr		date		title	
D		F80620		DLE		98.11.26		SMT RA JACK	
E		F06-0240		DLE		06.07.18		6 POS. OUTSIDE	
sheet index		revision sheet		dr		D LEGRAND		06.07.18	
				engr		P NIZZI		06.07.18	
				chr		D LE		06.07.18	
				appd		P NZ		06.07.18	
								scale 1:1	
								FCJ	
								dwg no	
								73305	
								sheet 2 of 3	
								size	
								A3	
								type	
								CUSTOMER Drawing	



Copyright FCI



FCconnect.com

CUSTOMER COPY FOR REFERENCE ONLY

mat'l. code		surface	tolerance	projection	product family	
		ISO 1302 <input checked="" type="checkbox"/>	ISO 406 ISO 1101		MOD JACK	
ltr	ecn no	dr	date	tolerances unless otherwise specified		title
A	F04-0363	DLE	04.10.18	±0.13		SMT RA JACK 6 POS OUTSIDE
B	F06-0240	DLE	06.07.18	angles	linear	
				±2'		mm
						scale 2:1
		dr	D LEGRAND	04.10.18	dwg no	
		engr	P NIZZI	04.10.18	sheet 3 of - size	
		chr	D LEGRAND	04.10.18	73305	
		appd	P NZ	04.10.18	A4	
sheet index		revision sheet		type		CUSTOMER Drawing



form: A4

Mouser Electronics

Authorized Distributor

Click to View Pricing, Inventory, Delivery & Lifecycle Information:

[FCI / Amphenol:](#)

[73305-112LF](#) [73305-121LF](#) [73305-122LF](#) [73305-311LF](#) [73305-312LF](#) [73305-512LF](#) [73305-131LF](#) [73305-511LF](#)