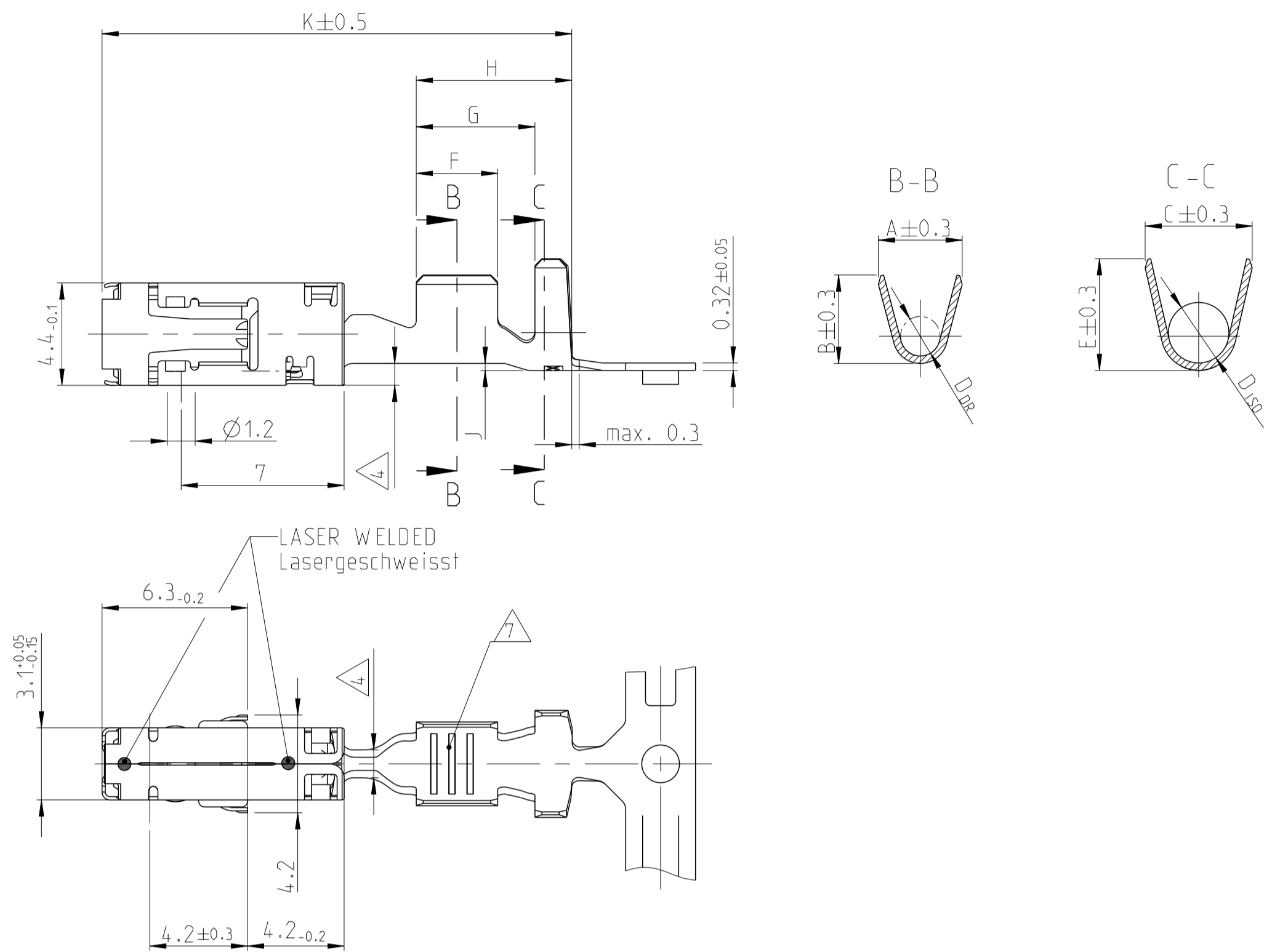
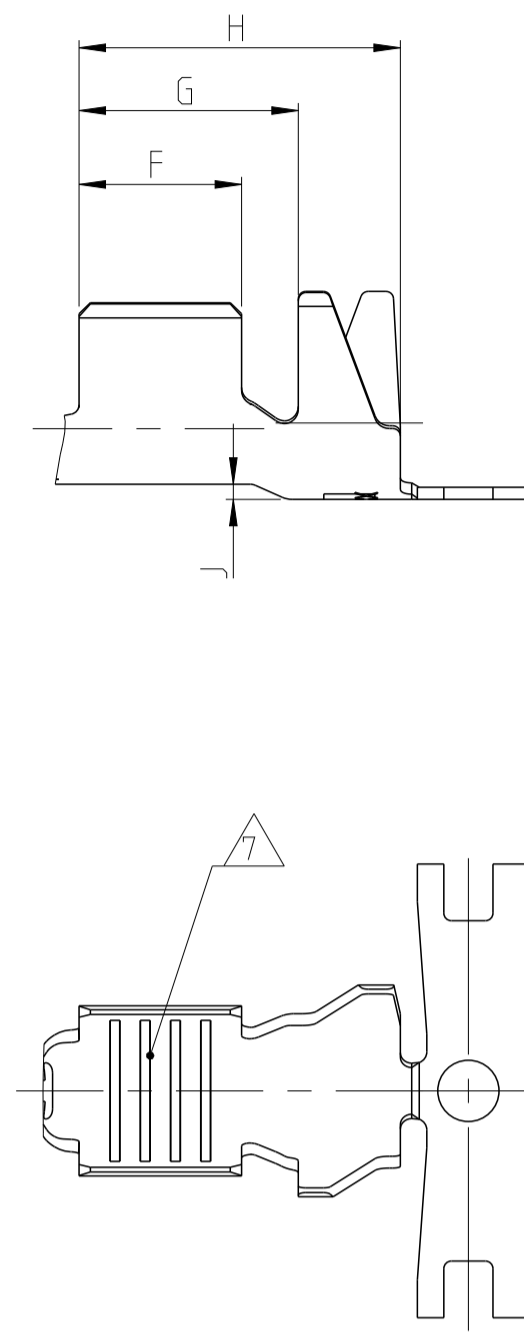


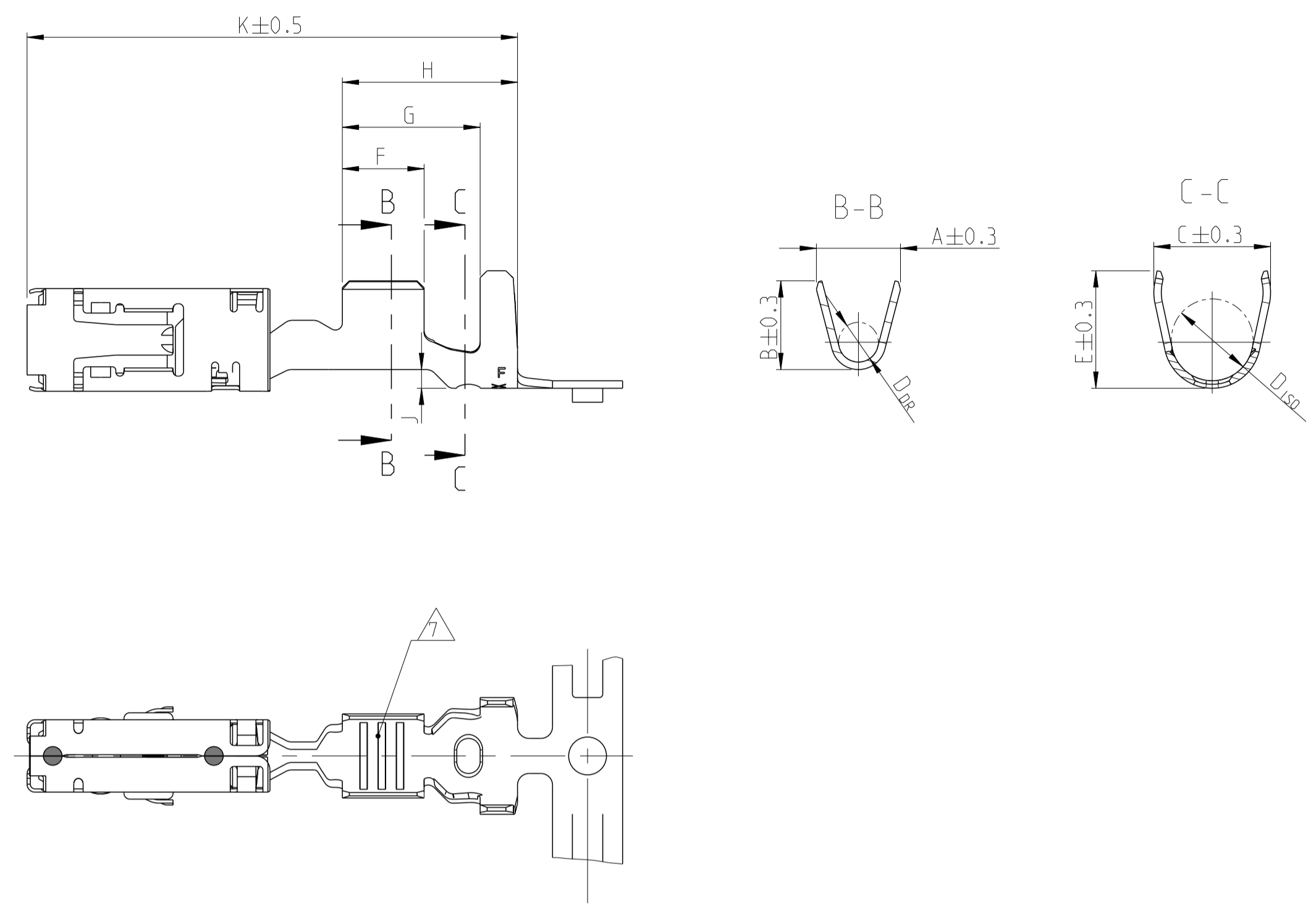
STANDARD CRIMP



ONLY FOR WIRE SIZE RANGE 4mm²
 Nur fuer Drahtgroessenbereich 4mm²



SINGLE WIRE SEAL
 Einzeldichtungssystem



| REVISIONS | | | | |
|-----------|-----|---|-----------|-------------|
| P. | LTA | DESCRIPTION | DATE | APPV |
| C5 | | MATERIAL DESCRIPTION CHANGED TO X10CrNi18-8 | 06FEB2007 | Frueh/Pfeil |
| C6 | | NEW CREO DRAWING CREATED/PN 1-2288092-3 added | 16OCT2014 | Ho. Leim |
| C7 | | TRANSMISSION FAILURE CORRECTED | 3MAY2016 | HO. LEIM |
| C8 | | PNs 967702-2 AND 967703-1 ARE OBSOLETE | 07FEB2017 | GH LEIM |

- 1 MATING PART SEE INTERFACE DRAWING
 TE-NO.: 114-18230-002
 Gegenstecker nach Ausfuehrungsvorschrift
 TE-Nr.: 114-18230-002
- 2 ONLY FOR FLR-WIRE SEE DIN 7551.PART 6
 Nur fuer FLR-Leitungen nach DIN 72551, Teil 6

3 SURFACE:
 - PRE TIN PLATED 1 TO 3 µm
 - GOLD PLATED (ONLY CONTACT AREA)
 - SILVER PLATED 3 TO 5 µm (ONLY CONTACT AREA)
 Oberflaeche:
 - verzinkt 1 bis 3 µm
 - vergoldet (nur Kontaktzone)
 - versilbert 3 bis 5 µm (nur Kontaktzone)

4 GAUGE INSPECTION
 Lehrenpruefung

5 DETAILS OF DESIGN ARE LEFT TO MANUFACTURER
 Einzelheiten der Ausfuehrung bleiben dem Hersteller ueberlassen

6 ONLY GERMAN LANGUAGE VERSION SHALL BE BINDING
 Massgebend ist der deutsche Text

7 DIFFERENT SHAPE AND NUMBER OF SERRATIONS POSSIBLE
 Unterschiedliche Form und Anzahl der Rillen moeglich

8 SILVER PLATED VERSION FOR INCREASED LIMIT TEMPERATURE
 Versilberte Version fuer erhoehete Grenztemperatur

| VERSION Ausfuehrung | ORDER-NO. STRIP-FORM Bestell-Nr. Bandware | REV | BODY MATERIAL Werkstoff | SPRING SURFACE Oberflaeche | WIRE SIZE RANGE Leiter- quer- schnitt mm ² | CRIMP DIMENSIONS / Crimpabmessungen mm | | | | | | | | | | WEIGHT Gewicht g | SINGLE WIRE SEAL Einzeldichtung TE CONNECTIVITY NO. | DEAD END PLUG Blindstopfen TE CONNECTIVITY NO. | APPLICATION TOOLS Verarbeitungswerkzeuge | |
|-----------------------------------|--|-----|-------------------------------|----------------------------------|---|--|-----|-----------------|-----|-----|------------------|-----|-----|-----|-----|------------------------|---|--|---|---|
| | | | | | | A | B | D _{DR} | C | E | D _{ISO} | F | G | H | J | | | | | K |
| SINGLE WIRE SEAL / Einzeldichtung | 967543-3 | C | X10CrNi18-8 | SILVER PLATED versilbert | 1.5 - 2.5 | 3.6 | 3.8 | 1.7 | 5.0 | 5.0 | 3.5 | 3.5 | 5.9 | 7.5 | 0.8 | 21 | 0.55 | 828905-1 | 828922-1 | SEE APPLICATION SPECIFICATION 114-18144-0 siehe Verarbeitungsspezifikation 114-18144-0 |
| | 967543-2 | B | | GOLD PLATED vergoldet | | | | | | | | | | | | | | | | |
| | 967543-1 | F | | PRE TIN PLATED verzinkt | | | | | | | | | | | | | | | | |
| | 967542-2 | B | | GOLD PLATED vergoldet | | | | | | | | | | | | | | | | |
| | 967542-1 | F | | PRE TIN PLATED verzinkt | | | | | | | | | | | | | | | | |
| | 967541-1 | B | | PRE TIN PLATED verzinkt | | | | | | | | | | | | | | | | |
| STANDARD CRIMP | 1-2288092-3 8 | A | SILVER PLATED versilbert | 0.5 - 1.0 | 4 | 4.5 | 4.8 | 2.3 | 5.6 | 5.5 | 3.4 | 4.3 | 5.8 | 8.5 | 0.4 | 22.1 | 0.60 | - | - | |
| | 967583-1 | D | PRE TIN PLATED verzinkt | | 1.5 - 2.5 | 3.6 | 3.8 | 1.7 | 4.6 | 4.8 | 2.6 | 3.5 | 5.1 | 6.7 | 0.3 | 20.2 | 0.54 | - | - | |
| | 967582-2 | B | GOLD PLATED vergoldet | | 0.5 - 1.0 | 2.5 | 2.7 | 1.2 | 3.3 | 3.5 | 1.8 | 3 | 4.6 | 6.2 | 0.2 | 20.2 | 0.49 | - | - | |
| | 967702-1 | D | PRE TIN PLATED verzinkt | | | | | | | | | | | | | | | | | |

THIS DRAWING IS A CONTROLLED DOCUMENT.

| | | | |
|-------------------|--|---|--|
| DIMENSIONS: mm | TOLERANCES UNLESS OTHERWISE SPECIFIED: ±0.2 | OWN: S. Blidar 12.10.98 CHK: G. Hotea 12.10.98 APPV: J. Woller 12.10.98 | NAME: PRODUCT GROUP DRAWING FOR Tabellenzeichnung fuer 2.8mm SENSOR FLAT CONTACT, TYPE I |
| MATERIAL: - | FINISH: - | WEIGHT: - | SIZE: A1 CAGE CODE: 00779 DRAWING NO: C=1355038 |
| Customer Drawing | | SCALE: 5:1 | SHEET: 1 OF 1 REV: C8 |

Mouser Electronics

Authorized Distributor

Click to View Pricing, Inventory, Delivery & Lifecycle Information:

TE Connectivity:

[967543-2](#) [967542-1](#) [967542-2](#) [967543-1](#) [967541-1](#) [967543-3](#) [967542-1 \(Mouser Reel\)](#) [967542-1 \(Cut Strip\)](#)
[967541-1 \(Loose Piece\)](#) [967542-2 \(Loose Piece\)](#)