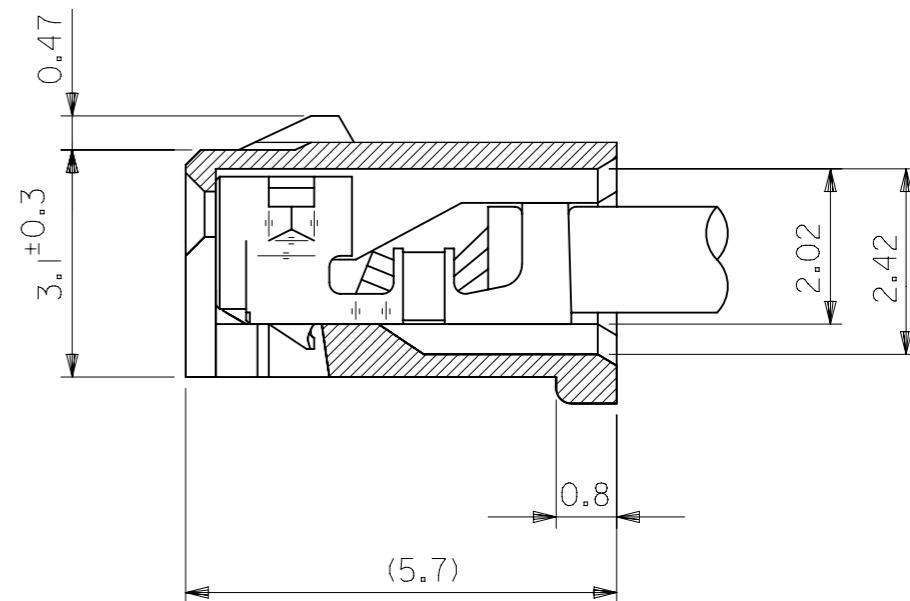
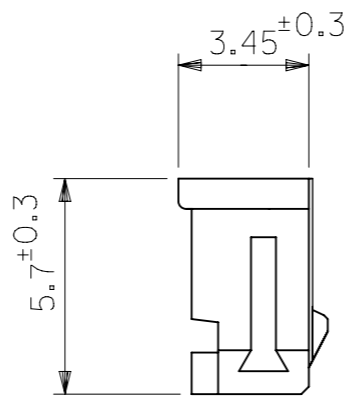
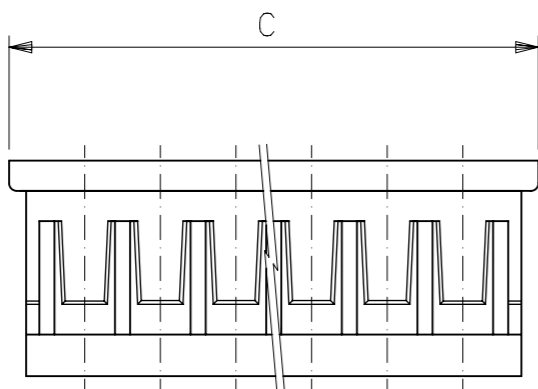
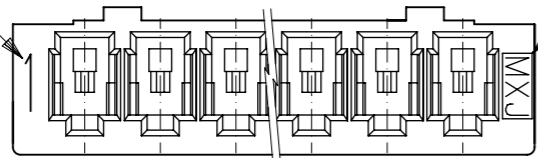
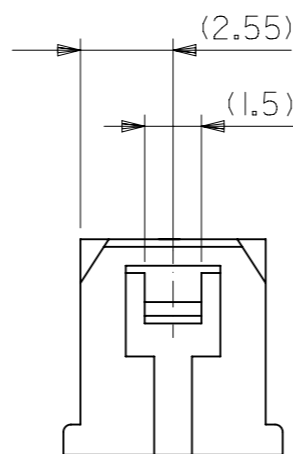
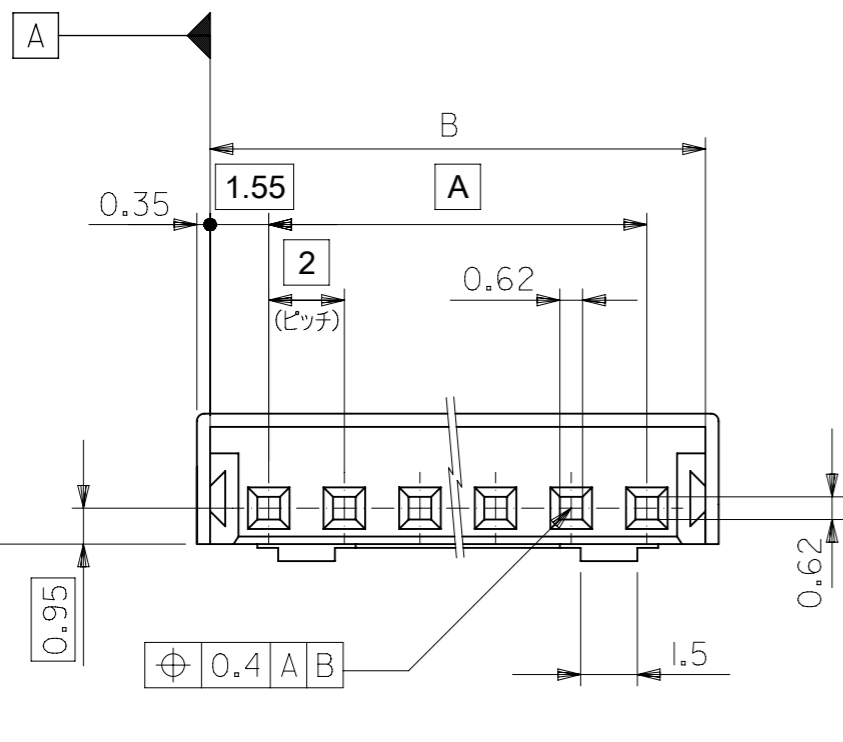


回路番号
CIRCUIT NO.

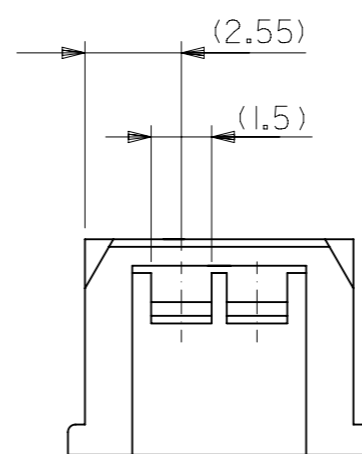
5 トレードマーク
TRADE MARK



ターミナル装着状態図
TERMINAL ASSEMBLY DRAWING
(10:1)



2極の場合
IN CASE OF
2 CIRCUIT HSG.



3極の場合
IN CASE OF
3 CIRCUIT HSG.

31.8	31.1	28	51065-150*	15
29.8	29.1	26	-140*	14
27.8	27.1	24	-130*	13
25.8	25.1	22	-120*	12
23.8	23.1	20	-110*	11
21.8	21.1	18	-100*	10
19.8	19.1	16	-090*	9
17.8	17.1	14	-080*	8
15.8	15.1	12	-070*	7
13.8	13.1	10	-060*	6
11.8	11.1	8	-050*	5
9.8	9.1	6	-040*	4
7.8	7.1	4	-030*	3
5.8	5.1	2	51065-020*	2
C	B	A	PLASTIC BAG オーダー番号 ORDER NO.	極数 CIRCUITS

CONNECTOR SERIES NO. 51065-**0*

THIS DRAWING CONTAINS INFORMATION THAT IS PROPRIETARY TO MOLEX ELECTRONIC TECHNOLOGIES, LLC AND SHOULD NOT BE USED WITHOUT WRITTEN PERMISSION

DIMENSION UNITS mm	SCALE 5:1	CURRENT REV DESC: OBSOLETE PART NUMBER	molex		
GENERAL TOLERANCES (UNLESS SPECIFIED)		EC NO: 618242	NEW 2.0 WIRE TO BOARD CONN RECEPTACLE HOUSING		
4 PLACES ±		DRWN: AKUMAR19	PRODUCT CUSTOMER DRAWING		
3 PLACES ±		2019/03/11	DOCUMENT NUMBER		
2 PLACES ±		CHK'D: GGA	SD-51065-004		
1 PLACE ±		2020/02/28	DOC TYPE DOC PART REVISION		
0 PLACES ±		APPR: GGA	PSD 001 F		
ANGULAR TOL ± 3.0°		INITIAL REVISION:	MATERIAL NUMBER		
DRAFT WHERE APPLICABLE MUST REMAIN WITHIN DIMENSIONS		DRWN: S.AIHARA	CUSTOMER		
THIRD ANGLE PROJECTION		1989/09/21	SEE TABLE		
DRAWING		1990/01/18	GENERAL MARKET		
SERIES		A3-SIZE	SHEET NUMBER		
51065		1 OF 2			

GENERAL TOLERANCES (UNLESS SPECIFIED)	
10 ^{UNDER}	±0.2
10 ^{OVER} 30 ^{UNDER}	±0.25
30 ^{OVER}	±0.3

注記 NOTES

- 適合ターミナル : 50212 , 50372 シリーズ
APPLICABLE TERMINAL : 50212 , 50372 SERIES
- 適合相手 : 53253 , 53254 シリーズ
MATE WITH : 53253 , 53254 SERIES
- 材質 : PBT , UL94V-0
MATERIAL : PBT , UL94V-0

△4 オーダー番号 ORDER NO.

51065-***0*

極数
CIRCUIT SIZE

色番号
COLOR CODE

0	自然色 (白) NATURAL (WHITE)
1	黒 BLACK
2	赤 RED
3	黄 YELLOW
4	青 BLUE
6	緑 GREEN

△5 トレードマーク : M プラス1~2文字の製造工場を示すアルファベットにて構成。但し、"J"は JAPAN を示す。(例 MXJ)

FORMED BY M AND FROM 1 TO 2 MORE LETTER OF ALPHABET WHICH MEAN THE MANUFACTORY. BUT "J" MEANS JAPAN. (TO TRADE MARK) (e.g. MXJ).

31.8	31.1	28					51065-1501	51065-1500	15
29.8	29.1	26					51065-1401	51065-1400	14
27.8	27.1	24					51065-1301	51065-1300	13
25.8	25.1	22						51065-1200	12
23.8	23.1	20						51065-1100	11
21.8	21.1	18						51065-1000	10
19.8	19.1	16						51065-0900	9
17.8	17.1	14						51065-0800	8
15.8	15.1	12						51065-0700	7
13.8	13.1	10				51065-0602		51065-0600	6
11.8	11.1	8						51065-0500	5
9.8	9.1	6						51065-0400	4
7.8	7.1	4						51065-0300	3
5.8	5.1	2			51065-0203		51065-0201	51065-0200	2
C	B	A	GREEN	BLUE	YELLOW	RED	BLACK	NATURAL	極数

△4 オーダー番号 ORDER NO.

CONNECTOR SERIES NO. 51065-***0*

THIS DRAWING CONTAINS INFORMATION THAT IS PROPRIETARY TO MOLEX ELECTRONIC TECHNOLOGIES, LLC AND SHOULD NOT BE USED WITHOUT WRITTEN PERMISSION									
DIMENSION UNITS mm		SCALE 1:1		CURRENT REV DESC: OBSOLETE PART NUMBER				molex	
GENERAL TOLERANCES (UNLESS SPECIFIED)		MM INCH		EC NO: 618242					
4 PLACES ±		±		DRWN: AKUMAR19 2019/03/11				NEW 2.0 WIRE TO BOARD CONN RECEPTACLE HOUSING	
3 PLACES ±		±		CHK'D: GGA 2020/02/28				PRODUCT CUSTOMER DRAWING	
2 PLACES ±		±		APPR: GGA 2020/02/28				DOCUMENT NUMBER	
1 PLACE ±		±		INITIAL REVISION:				SD-51065-004	
0 PLACES ±		±		DRWN: S.AIHARA 1989/09/21				DOC TYPE DOC PART REVISION	
ANGULAR TOL ± 3.0°		± 3.0°		APPR: M.ENOMOTO 1990/01/18				PSD 001 F	
DRAFT WHERE APPLICABLE MUST REMAIN WITHIN DIMENSIONS		THIRD ANGLE PROJECTION		DRAWING		SERIES		MATERIAL NUMBER CUSTOMER SHEET NUMBER	
		A3-SIZE		51065		SEE TABLE GENERAL MARKET		2 OF 2	

GENERAL TOLERANCES (UNLESS SPECIFIED)		
10 ^{UNDER}	±0.2	
10 ^{OVER} 30 ^{UNDER}	±0.25	
30 ^{OVER}	±0.3	

注記 NOTES

- 適合ターミナル : 50212 , 50372 シリーズ
APPLICABLE TERMINAL : 50212 , 50372 SERIES
- 嵌合相手 : 53253 , 53254 シリーズ
MATE WITH : 53253 , 53254 SERIES
- 材質 : PBT , UL94V-0
MATERIAL : PBT , UL94V-0

△ オーダー番号 ORDER NO.

51065-***0*

極数
CIRCUIT SIZE

色番号
COLOR CODE

0	自然色 (白) NATURAL (WHITE)
1	黒 BLACK
2	赤 RED
3	黄 YELLOW
4	青 BLUE
6	緑 GREEN

△


トレードマーク : M プラス 1~2 文字の製造工場を示すアルファベットにて構成。但し、"J" は JAPAN を示す。(例 MXJ)
FORMED BY M AND FROM 1 TO 2 MORE LETTER OF ALPHABET WHICH MEAN THE MANUFACTORY.
BUT "J" MEANS JAPAN. (TO TRADE MARK) (e.g. MXJ).

31.8	31.1	28					51065-1501	51065-1500	15	
29.8	29.1	26					51065-1401	51065-1400	14	
27.8	27.1	24					51065-1301	51065-1300	13	
25.8	25.1	22						51065-1200	12	
23.8	23.1	20						51065-1100	11	
21.8	21.1	18						51065-1000	10	
19.8	19.1	16						51065-0900	9	
17.8	17.1	14						51065-0800	8	
15.8	15.1	12			51065-0704			51065-0700	7	
13.8	13.1	10				51065-0603	51065-0602	51065-0600	6	
11.8	11.1	8						51065-0500	5	
9.8	9.1	6				51065-0403	51065-0402	51065-0400	4	
7.8	7.1	4			51065-0304		51065-0302	51065-0301	51065-0300	3
5.8	5.1	2	51065-0206	51065-0204	51065-0203	51065-0202	51065-0201	51065-0200	2	
C	B	A	GREEN	BLUE	YELLOW	RED	BLACK	NATURAL	極数	

△ オーダー番号 ORDER NO.

CIRCUITS

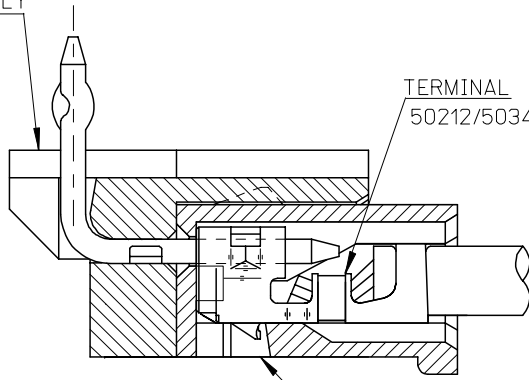
CONNECTOR SERIES NO. 51065-***0*

REVISED EC NO.: J2014-0578 DRWN: YMAKE 2013/09/27 CHKD: KASAKAWA 2013/09/27 APPR: NUKITA 2013/10/02	GENERAL TOLERANCES (UNLESS SPECIFIED)		DIMENSION STYLE MM ONLY		SCALE 5:1	DESIGN UNITS METRIC	THIRD ANGLE PROJECTION
	10 UNDER	± 0.2	DRAWN BY S. AIHARA	DATE '89/09/21	TITLE NEW 2.0 WIRE TO BOARD CONN RECEPTACLE HOUSING		
	10 OVER 30 UNDER	± 0.25	CHECKED BY M. FUKUSHIMA	DATE '90/01/18			
	30 OVER	± 0.3	APPROVED BY M. ENOMOTO	DATE '90/01/18			
ANGULAR ±3 °		MATERIAL NO. SEE CHART		DOCUMENT NO. SD-51065-004		SHEET NO. 2 OF 2	
DRAFT WHERE APPLICABLE MUST REMAIN WITHIN DIMENSIONS		SIZE A3	THIS DRAWING CONTAINS INFORMATION THAT IS PROPRIETARY TO MOLEX INCORPORATED AND SHOULD NOT BE USED WITHOUT WRITTEN PERMISSION				

10 9 8 7 6 5 4 3 2 1

F

HEADER HOUSING ASSEMBLY
53254SERIES



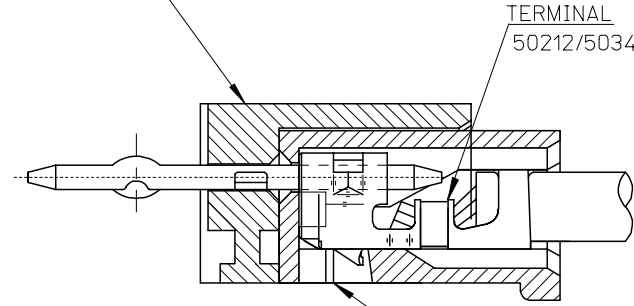
TERMINAL
50212/50346 SERIES

RECEPTACLE HOUSING
51065 SERIES

51065シリーズ/53254シリーズ 嵌合状態図 参考
51065 SERIES/53254 SERIES MATED DRAWING (REF.)

F

HEADER HOUSING ASSEMBLY
53253SERIES



TERMINAL
50212/50346 SERIES

RECEPTACLE HOUSING
51065 SERIES

51065シリーズ/53253シリーズ 嵌合状態図 参考
51065 SERIES/53253 SERIES MATED DRAWING (REF.)

E

E

D

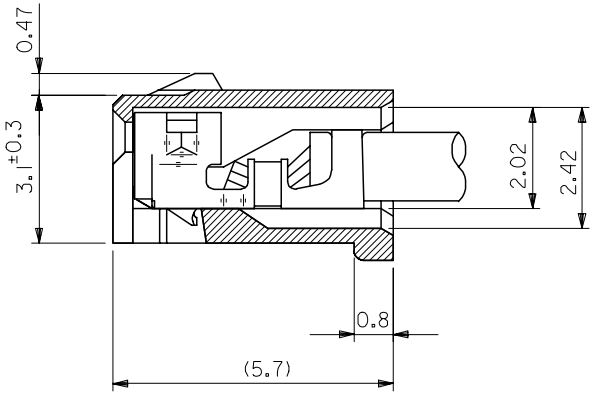
D

C

C

B

B



ターミナル装着状態図
TERMINAL ASS'Y DWG.

RELEASED EC NO: J2008-2041 DRWN: AOYAGI 2007/11/21 CHKD: THARUYAMA 2007/11/22 APPR: NUKITA 2007/11/22	GENERAL TOLERANCES (UNLESS SPECIFIED)		DIMENSION STYLE MM ONLY	SCALE 10:1	DESIGN UNITS METRIC	THIRD ANGLE PROJECTION
	10 UNDER	±0.2	DRAWN BY Y. AOYAGI	DATE 2007/11/13	TITLE NEW 2.0 W/B CONN. 51065/53253OR51065/53254	
	10 OVER 30 UNDER	±0.25	CHECKED BY N. UKITA	DATE 2007/11/13	MOLEX INCORPORATED DOCUMENT NO. SD-51065-006 SHEET NO. 1 OF 1	
	30 OVER	±0.3	APPROVED BY N. UKITA	DATE 2007/11/13		
	ANGULAR	±1 °	MATERIAL NO.		SEE TABLE	
DRAFT WHERE APPLICABLE MUST REMAIN WITHIN DIMENSIONS		SIZE A3	THIS DRAWING CONTAINS INFORMATION THAT IS PROPRIETARY TO MOLEX INCORPORATED AND SHOULD NOT BE USED WITHOUT WRITTEN PERMISSION			