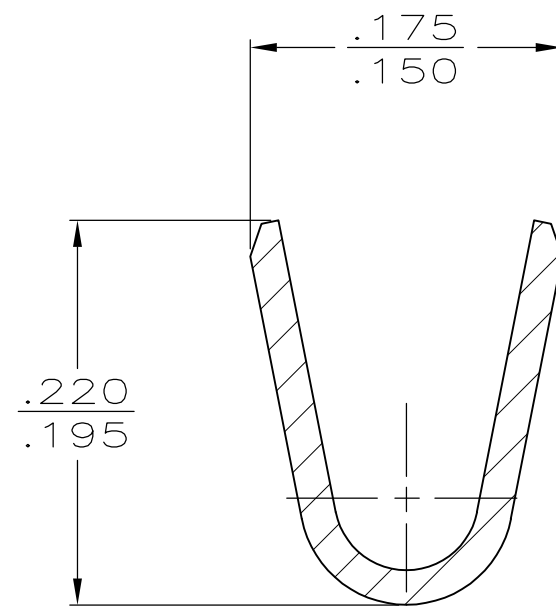
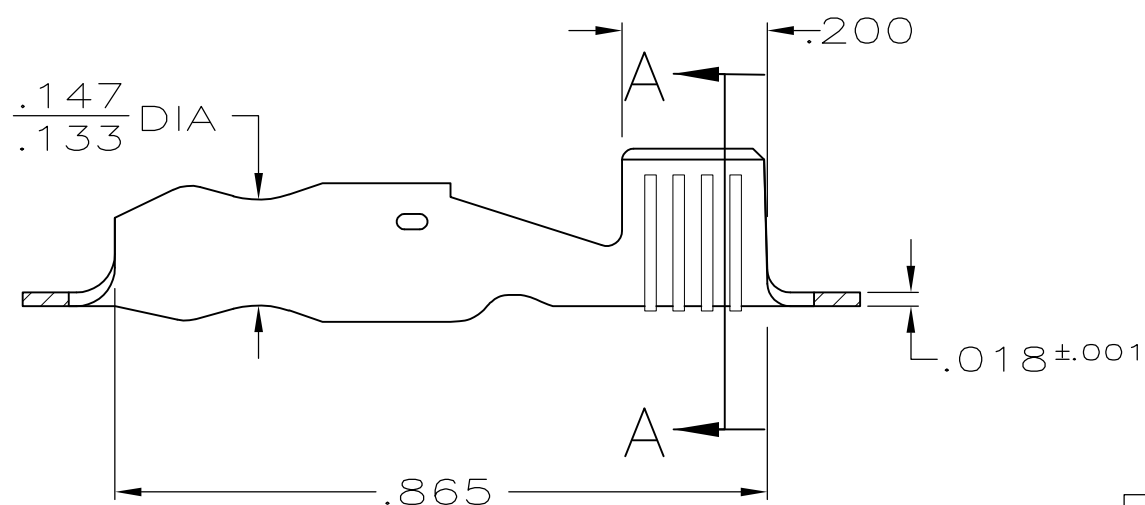
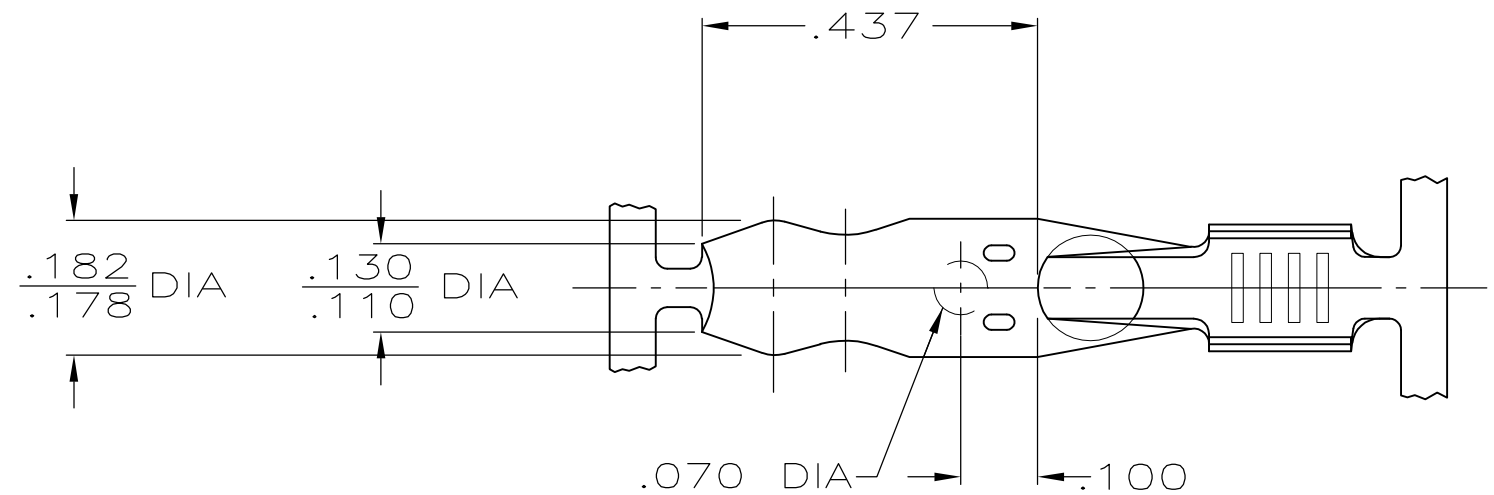


THIS DRAWING IS UNPUBLISHED. RELEASED FOR PUBLICATION  
 © COPYRIGHT BY TYCO ELECTRONICS CORPORATION. ALL INTERNATIONAL RIGHTS RESERVED.

LOC	DIST	REVISIONS					
AF	50	P	LTR	DESCRIPTION	DATE	DWN	APVD
		L1		REVISED PER ECR-08-032291	22DEC08	HMR	DD

- 1 REVERSE REELED 42865-3 ONLY
- △ .000080 MIN TIN PLATE PER ASTM-B545 OVER  
.000050 MIN NICKEL UNDERPLATE PER QQ-N-290.
- 3 WIRE SIZE IS #14-#10 AWG, 9600 CMA MAX.



OBSOLETE	△	1/4 HARD BRASS	42865-5
	TIN PL .000080 MIN THK ASTM-B545	1/4 HARD BRASS	42865-3
	NONE	<del>1/4 HARD BRASS</del>	<del>42865-2</del>
	FINISH	1/4 HARD BRASS	42865-1
		MATERIAL	PART NO.

THIS DRAWING IS A CONTROLLED DOCUMENT.		DWN DK SCHRUM 3/27/89	Tyco Electronics Corporation Harrisburg, PA 17105-3608	
DIMENSIONS: INCHES	TOLERANCES UNLESS OTHERWISE SPECIFIED:	CHK PM FORTNEY 3/27/89	NAME	
		APVD G YETTER 3/27/89	SHUR PLUG, .180 DIA	
MATERIAL SEE TABLE	FINISH SEE TABLE	PRODUCT SPEC -	SIZE	CAGE CODE
		APPLICATION SPEC -	A3	00779
		WEIGHT -	DRAWING NO	RESTRICTED TO
		CUSTOMER DRAWING	G-42865	-
		SCALE 4:1	SHEET 1 OF 1	REV L1

# Mouser Electronics

Authorized Distributor

Click to View Pricing, Inventory, Delivery & Lifecycle Information:

[TE Connectivity:](#)

[42865-3](#)